



All-Flex 3-leg

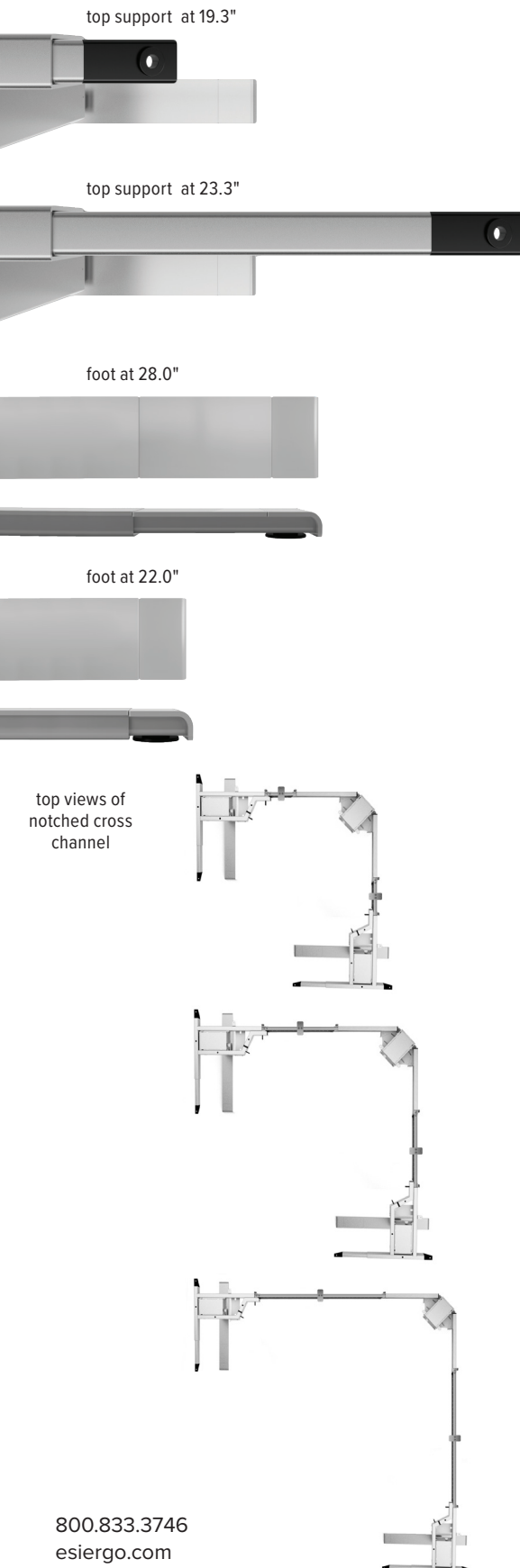
Electric height adjustable table base




All-Flex 3-leg

Electric height adjustable table base

esi



Product specs

- Electric height adjustment
- 330 lb. base lifting capacity
- 1.5"/sec adjustment speed
- One part number for all 3-leg sizes
- 26.0" height adjustment range
- 23.3"–49.3" (low/high) (excluding worksurface)
- Three-stage adjustable legs
- C-leg
- Provides adjustable cross channels, top support, and feet making it one of the most adjustable table bases on the market
- Foot is adjustable to 22.0" or 28.0" (patented design)
- Adjustable width frame accommodates worksurfaces 36.0"–84.0" wide
- Adjustable depth top support expands to accommodate worksurfaces 24.0"–36.0" deep
- Notched cross channel offers ample space for keyboard tray glide tracks
- 7'2" power cord
- Digital keypad with four memory settings
- Anti-collision safety feature
- Soft start and stop
- Crossbar includes guide markings to assist in setting width
- Leg columns fold out for easy assembly
- Integrated control unit shelf
- Integrated storage for foot extension plate when not in use
- Integrated cable management
- Steel construction
- Low standby power consumption
- Table base is UL962 listed
- Three motors
- ADA compliant
- Locking casters are available
- Meets or exceeds BIFMA x5.5 guidelines
- Complete tables available (base and top)
- Warranty: 15 yr. (structural)/7 yr. (mechanical)
- 

Available base finishes

- Silver -SLV
- Black -BLK
- White -WHT



digital keypad



locking casters

Caster Kit

- Set of four casters for table base
- Increases height by 2.0"
- Locking casters for security

MODEL # CASTERKIT-FLEX3 **\$88**

800.833.3746
esi ergo.com

Fellowes | FAMILY BUSINESS
SINCE 1917

© 2020 Fellowes, Inc. V33 catalog prices. All prices are in U.S. dollars.

All-Flex 3-leg

Electric height adjustable table base



Table bases		Available worksurfaces					
Table base model	List price	Worksurface shape	Worksurface dimension	TFL standard		HPL standard	HPL premium
				Quick ship	Standard ship	Standard ship	Standard ship
FLEX3- _ _ _ _	\$2,486	 Equal Corner	60"wl x 60"wr x 24"d	–	3EC606024-TFL-__ \$980	3EC606024-HPL-__ \$1,078	3EC606024-PHPL-__ \$1,175
			72"wl x 72"wr x 24"d	–	3EC606024-TFL-__ \$980	3EC727224-HPL-__ \$1,078	3EC727224-PHPL-__ \$1,962
			60"wl x 60"wr x 30"d	–	3EC606030-TFL-__ \$1,000	3EC606030-HPL-__ \$1,100	3EC606030-PHPL-__ \$1,199
			72"wl x 72"wr x 30"d	–	3EC606030-TFL-__ \$1,000	3EC727230-HPL-__ \$1,100	3EC727230-PHPL-__ \$2,344
FLEX3- _ _ _ _	\$2,486	 120°	48"w x 24"d	–	120-4824-TFL-__ \$815	120-4824-HPL-__ \$1,141	120-4824-PHPL-__ \$1,244
			60"w x 24"d	–	–	120-6024-HPL-__ \$1,605	120-6024-PHPL-__ \$1,749
			72"w x 24"d	–	–	120-7224-HPL-__ \$1,800	120-7224-PHPL-__ \$1,962
			48"w x 30"d	–	–	120-4830-HPL-__ \$1,295	120-4830-PHPL-__ \$1,412
			60"w x 30"d	–	–	120-6030-HPL-__ \$1,625	120-6030-PHPL-__ \$1,771
			72"w x 30"d	–	–	120-7230-HPL-__ \$1,825	120-7230-PHPL-__ \$1,989

Worksurface Program

Multiple worksurface shapes and laminates are available. See the Complete Table & Worksurface Ordering Guide for worksurface details including pricing and laminate colors. TFL quick ship worksurfaces are shipped out in 48 hours, TFL standard and HPL standard/premium worksurfaces ship within three weeks. Lead time may vary depending on quantities ordered and their availability.

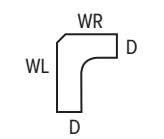
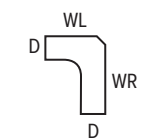
Table bases and worksurfaces can be purchased independently or as a combination.

ESI worksurfaces are made to exact dimensions. If nominal sizing is needed, please specify when ordering.

All-Flex 3-leg

Electric height adjustable table base



Table bases			Available worksurfaces				
Table base model	List price	Worksurface shape	Worksurface dimension	TFL standard	HPL standard	HPL premium	
				Quick ship	Standard ship	Standard ship	Standard ship
FLEX3- ___	\$2,368	 Offset Corner Left	60"wr x 48"wl x 24"d	-	3OCL604824-TFL-___ \$875	3OCL604824-HPL-___ \$963	3OCL604824-PHPL-___ \$1,050
			72"wl x 48"wr x 24"d	-	3OCL724824-TFL-___ \$955	3OCL724824-HPL-___ \$1,051	3OCL724824-PHPL-___ \$1,146
			72"wl x 60"wr x 24"d	-	3OCL726024-TFL-___ \$1,090	3OCL726024-HPL-___ \$1,199	3OCL726024-PHPL-___ \$1,307
			84"wl x 48"wr x 24"d	-	3OCL844824-TFL-___ \$1,125	3OCL844824-HPL-___ \$1,300	3OCL844824-PHPL-___ \$1,417
			84"wl x 60"wr x 24"d	-	-	3OCL846024-HPL-___ \$1,400	3OCL846024-PHPL-___ \$1,526
			60"wl x 48"wr x 30"d	-	3OCL604830-TFL-___ \$890	3OCL604830-HPL-___ \$979	3OCL604830-PHPL-___ \$1,067
			72"wl x 48"wr x 30"d	-	3OCL724830-TFL-___ \$965	3OCL724830-HPL-___ \$1,062	3OCL724830-PHPL-___ \$1,158
			72"wl x 60"wr x 30"d	-	3OCL726030-TFL-___ \$1,110	3OCL726030-HPL-___ \$1,250	3OCL726030-PHPL-___ \$1,363
			84"wl x 48"wr x 30"d	-	-	3OCL844830-HPL-___ \$1,320	3OCL844830-PHPL-___ \$1,439
			84"wl x 60"wr x 30"d	-	-	3OCL846030-HPL-___ \$1,420	3OCL846030-PHPL-___ \$1,548
FLEX3- ___	\$2,368	 Offset Corner Right	48"wl x 60"wr x 24"d	-	3OCR486024-TFL-___ \$875	3OCR486024-HPL-___ \$963	3OCR486024-PHPL-___ \$1,050
			48"wl x 72"wr x 24"d	-	3OCR487224-TFL-___ \$955	3OCR487224-HPL-___ \$1,051	3OCR487224-PHPL-___ \$1,146
			60"wl x 72"wr x 24"d	-	3OCR607224-TFL-___ \$1,090	3OCR607224-HPL-___ \$1,199	3OCR607224-PHPL-___ \$1,307
			48"wl x 84"wr x 24"d	-	3OCR488424-TFL-___ \$1,125	3OCR488424-HPL-___ \$1,300	3OCR488424-PHPL-___ \$1,417
			60"wl x 84"wr x 24"d	-	-	3OCR608424-HPL-___ \$1,400	3OCR608424-PHPL-___ \$1,526
			48"wl x 60"wr x 30"d	-	3OCR486030-TFL-___ \$890	3OCR486030-HPL-___ \$979	3OCR486030-PHPL-___ \$1,067
			48"wl x 72"wr x 30"d	-	3OCR487230-TFL-___ \$965	3OCR487230-HPL-___ \$1,062	3OCR487230-PHPL-___ \$1,158
			60"wl x 72"wr x 30"d	-	3OCR607230-TFL-___ \$1,110	3OCR607230-HPL-___ \$1,250	3OCR607230-PHPL-___ \$1,363
			48"wl x 84"wr x 30"d	-	-	3OCR488430-HPL-___ \$1,320	3OCR488430-PHPL-___ \$1,439
			60"wl x 84"wr x 30"d	-	-	3OCR608430-HPL-___ \$1,420	3OCR608430-PHPL-___ \$1,548

Worksurface Program

Multiple worksurface shapes and laminates are available. See the Complete Table & Worksurface Ordering Guide for worksurface details including pricing and laminate colors. TFL quick ship worksurfaces are shipped out in 48 hours, TFL standard and HPL standard/premium worksurfaces ship within three weeks. Lead time may vary depending on quantities ordered and their availability.

Table bases and worksurfaces can be purchased independently or as a combination.

ESI worksurfaces are made to exact dimensions. If nominal sizing is needed, please specify when ordering.

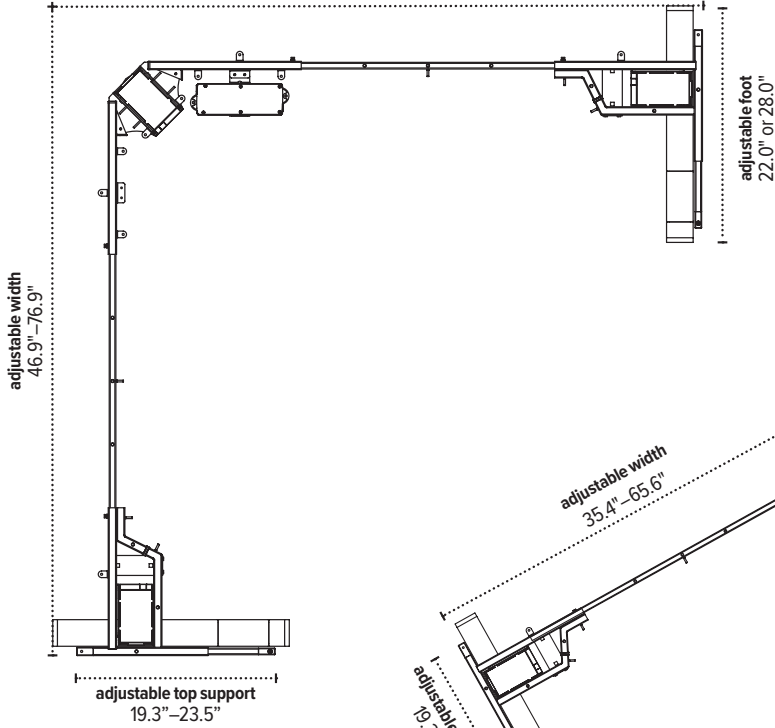
All-Flex 3-leg

Electric height adjustable table base

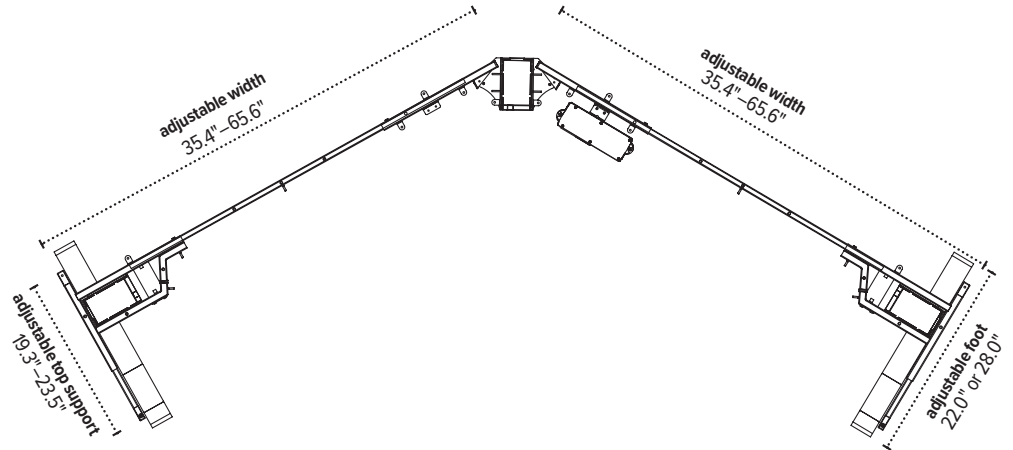
esi

FLEX3-___
90° configuration

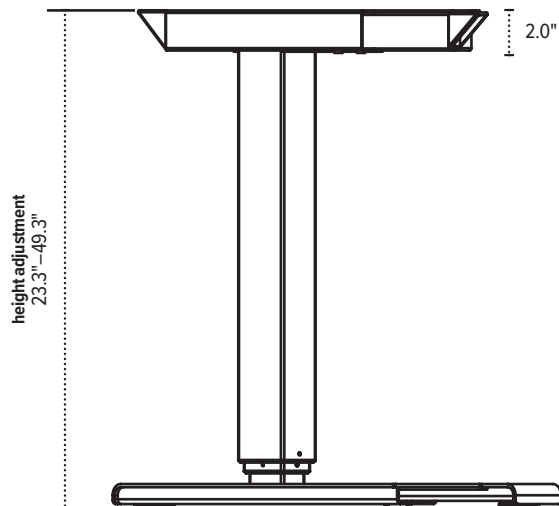
adjustable width
46.9"–76.9"



FLEX3-___
120° configuration



FLEX3-___
Side view



The base dimensions as shown are actual.