



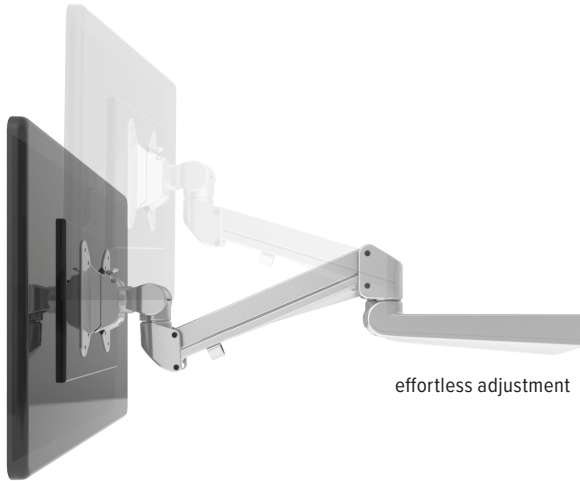
Edge[®]-Max
Heavy duty single monitor arm



Edge-Max

Heavy duty single monitor arm

esi



effortless adjustment



cable management



landscape/portrait rotation



grommet mount



desk clamp



integrated allen key storage



VESA quick release

Product specs

- Finger touch dynamic height adjustment
- Recommended for worksurfaces 36.0" deep or less
- 13.8" height adjustment range
 - 9.5"–23.3" (low/high)
- 24.4" arm extension
- 5.2" arm retraction
- +85°/-35° monitor tilt
- ±90° VESA rotation
- 17.6 lb.–42.0 lb. weight capacity
- VESA 75mm/100mm quick release
- 180° lock-out feature
- 360° rotation at three points
- Meets or exceeds BIFMA x5.5 and CSA CAN/CGSB44.227 guidelines
- Desk clamp and grommet mount included
- Warranty: 15 yr.



Model

List price

<input type="radio"/>	EDGE-MAX-SLV	\$567
-----------------------	--------------	-------

Conversion

Reuse most of the parts in your single Edge-Max arm when you convert up to the Edge-Max-Dual with our simple kit.

Conversion kit sold separately

Edge-Max

Heavy duty single monitor arm

