

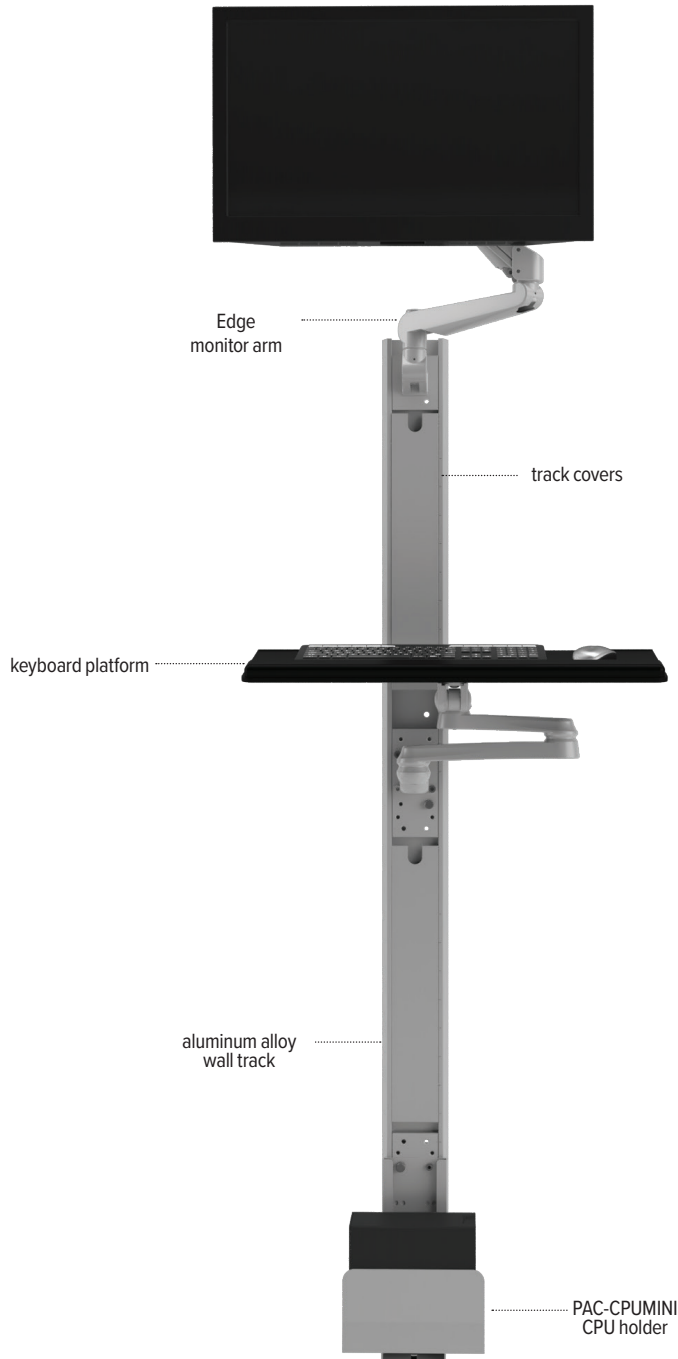


# Titan2-Edge

dual track-mounted workstation

# Titan2-Edge

dual track-mounted workstation



## Product specs

- Includes:
  - Track covers to conceal cords
  - (2) Two 31.5" aluminum alloy wall tracks (63" total)
  - Edge® monitor arm
  - Keyboard platform
  - PAC-CPUMINI CPU holder
- Keyboard arm and monitor arm can be positioned anywhere along the wall track
- For left or right-handed users
- Keyboard tray retracts and extends to save space. It does not offer lift and lock height adjustment.
- Keyboard tray offers manual height adjustment using Pin Set for one-time height setting in 3.0" increments.
- 6.5 lbs.–17.6 lbs. monitor weight range
- 12.5" monitor arm height adjustment range
- 22.5" monitor arm extension
- 24.9" w x 10.6" d keyboard dimensions
- 23.0" keyboard arm extension
- Warranty:
  - 15 yrs. structural
  - 2 yrs. palm rest/mouse pad



## Model #

## USD list price

TITAN2-EDGE

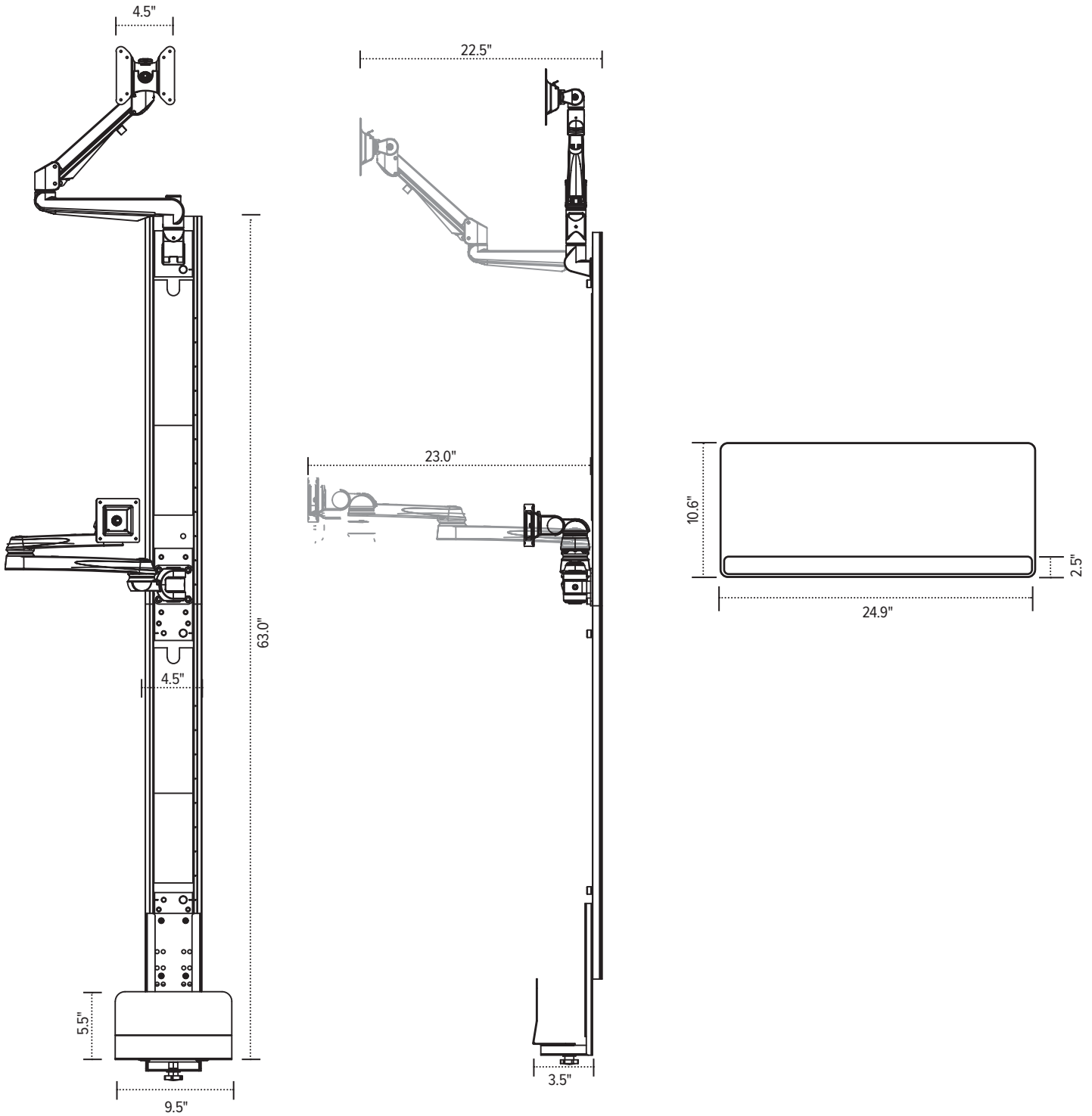
\$1,452

esi

800.833.3746  
esiergo.com

# Titan2-Edge

dual track-mounted workstation



esi

800.833.3746  
esiergo.com