



new!

EPPA2

DUAL MONITOR ARM

- Height adjustment range: 11"
- Monitor arm extension: 20.8"
- Monitor arm retraction: 4"
- Monitor vertical tilt: $\pm 90^\circ$
- Monitor horizontal rotation: $\pm 90^\circ$
- Monitor swivel stop: $\pm 90^\circ$
- Weight capacity: 2.2 lbs.–17.6 lbs. (*per arm*)
- Fixed and motion arms included
- Capable to swivel between portrait and landscape orientation
- Exceeds BIFMA x5.5 requirements
- Gas spring - finger touch adjustment
- VESA quick mount
- Aluminum and steel design
- Supports two monitors up to 28" wide
- Partially assembled for quick installation
- Desk clamp and grommet mount included
- Integrated cord management
- Grommet hole integrated in base to easily route cables
- Clip-on tool holder attaches to base bracket keeping hex keys accessible

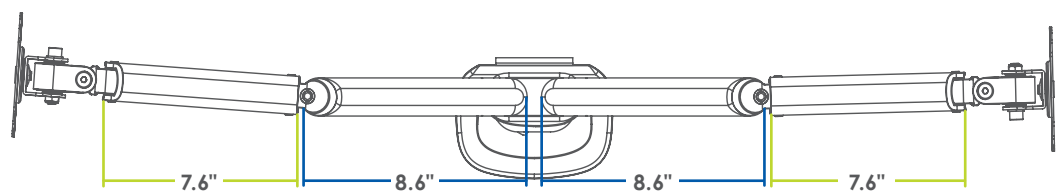
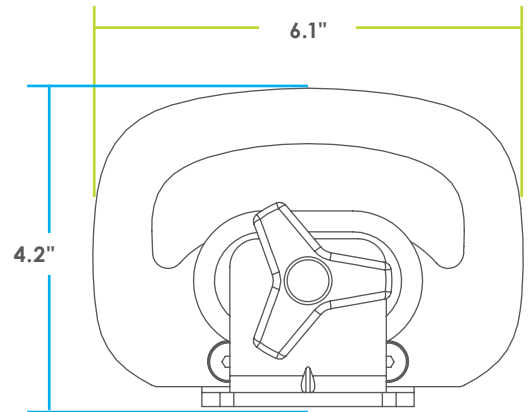
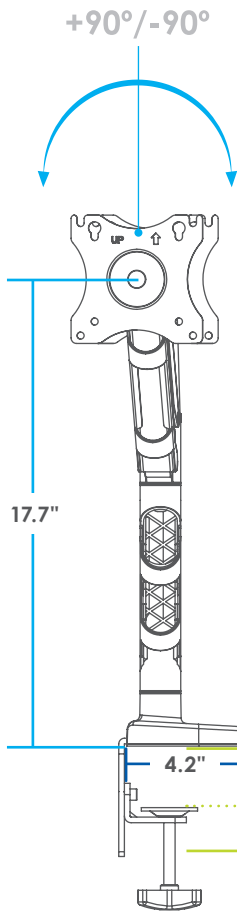
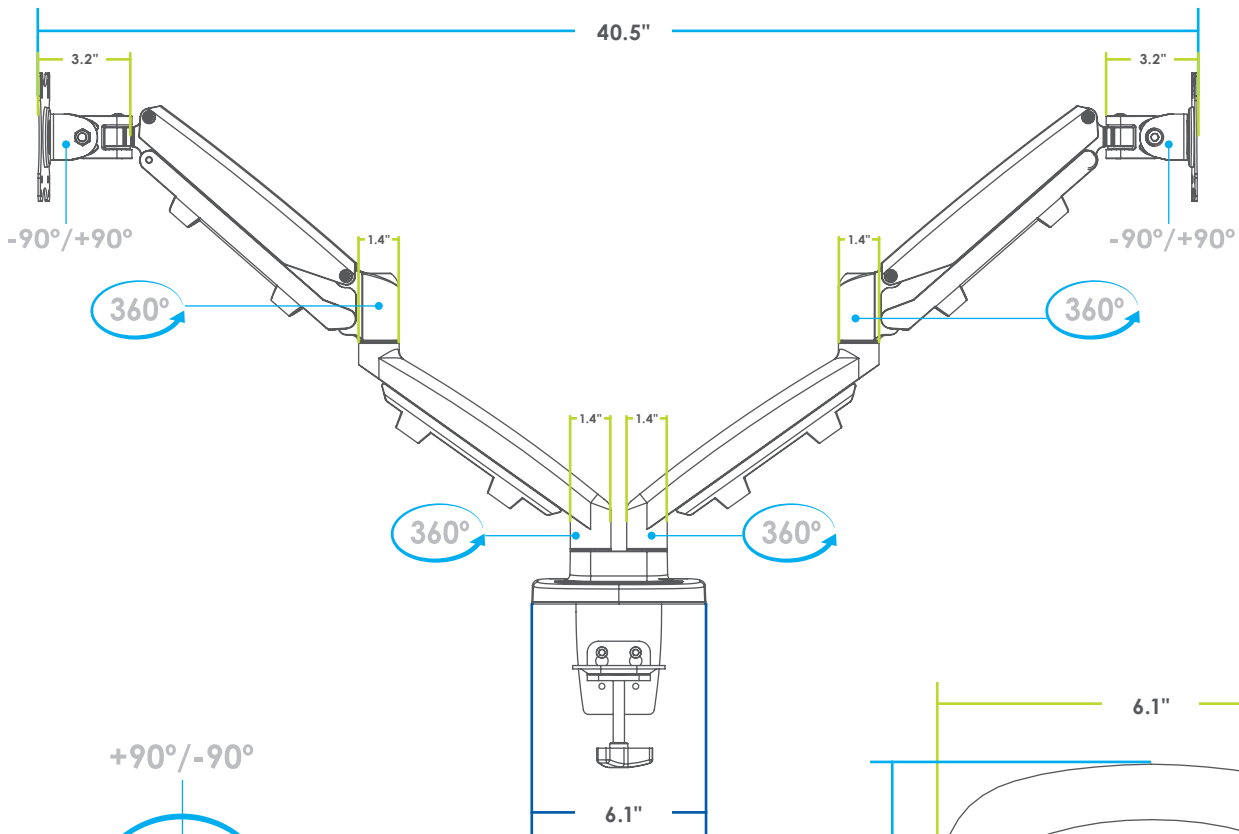
MODEL #

 EPPA2-SLV


© 2017 ESI. All Rights Reserved.

esiergo.com | 800.833.3746

 GSA Contract Holder • 2020 CAP & GIZA
 Project Spec • IceEdge • Sketch-Up



Clip-on tool storage



VESA mounts tilt up and down, providing a flat writing surface for touch screen monitors



Monitors can pivot from portrait to landscape orientation easily. Arms have wide range of motion.

