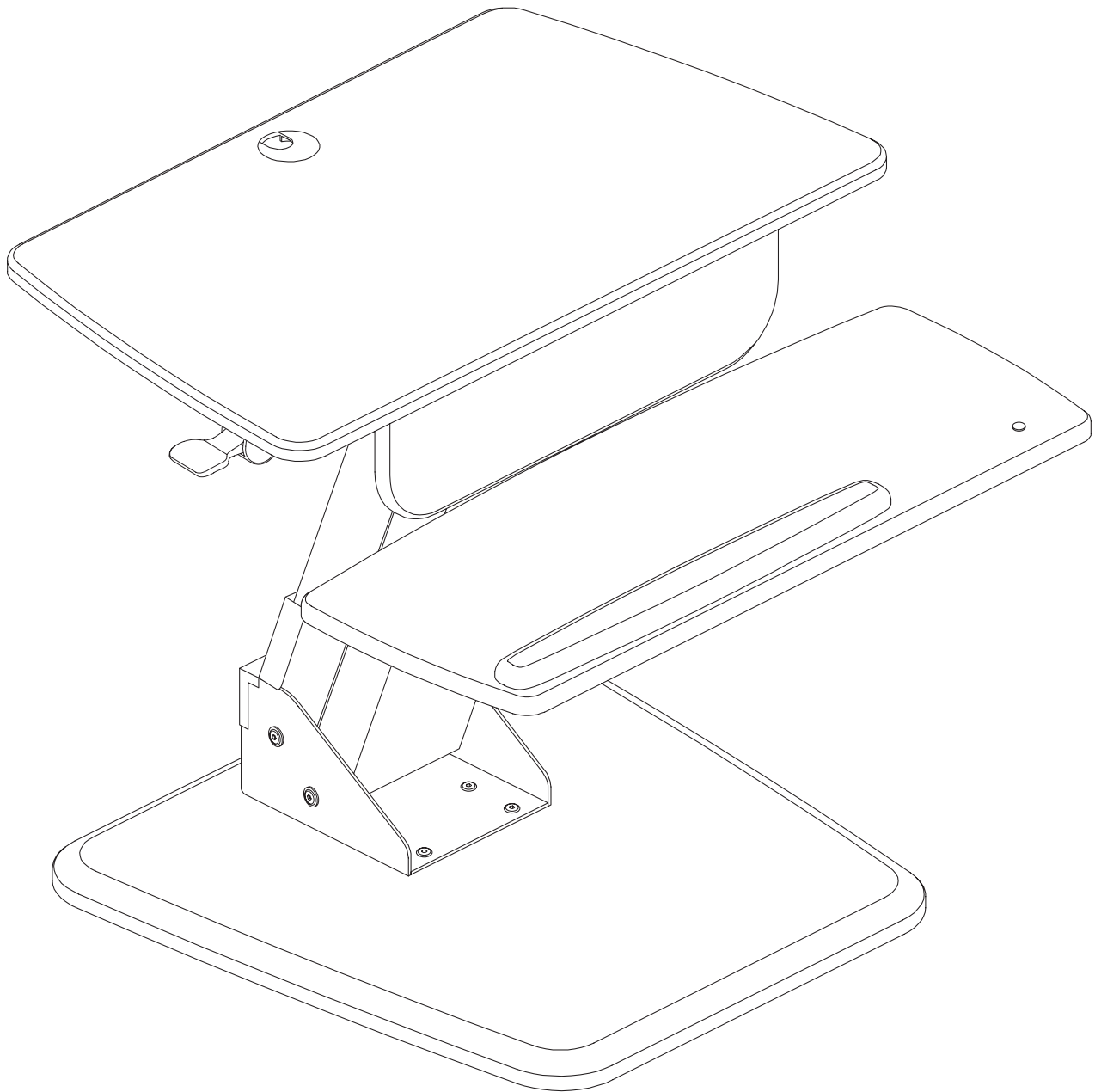


LIFT-WB

FREE-STANDING BASE

Model LIFT-WB-SLV

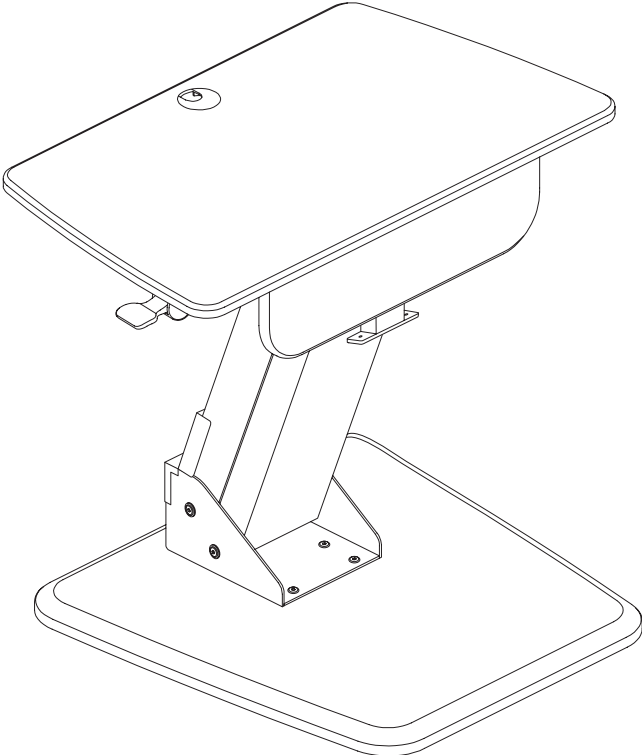
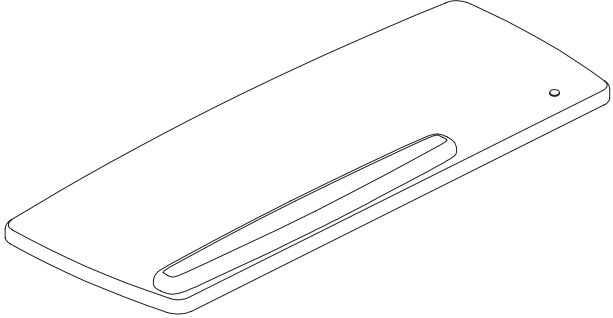


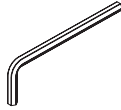
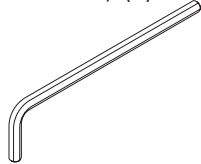
LIFT-WB Rev A 3/17



ASSEMBLY AND ADJUSTMENT

PLEASE REVIEW these instructions before beginning the assembly and adjustment procedures. Check that all the parts and tools listed below were provided with your order. Contact your supplier if any materials are missing. Do not discard the packaging until satisfied that the product operates to your satisfaction.

PARTS AND TOOLS PROVIDED

<p>Main Assembly (1)</p> 	<p>Keyboard Platform (1)</p> 	
<p>M6x8mm Screw (2)</p> 	<p>Keyboard Hole Plug (2)</p> 	
<p>4mm Allen Key (1)</p> 	<p>6mm Allen Key (1)</p> 	

CAUTION: Hand-tighten screws only. Do **not** use power tools.



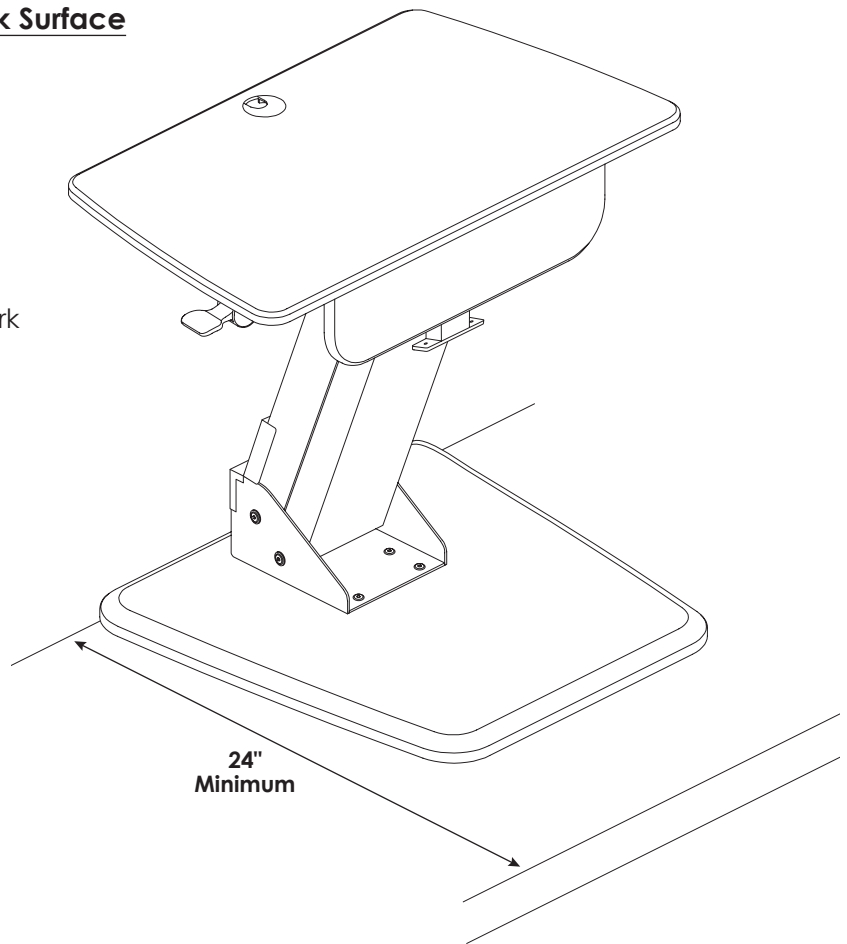
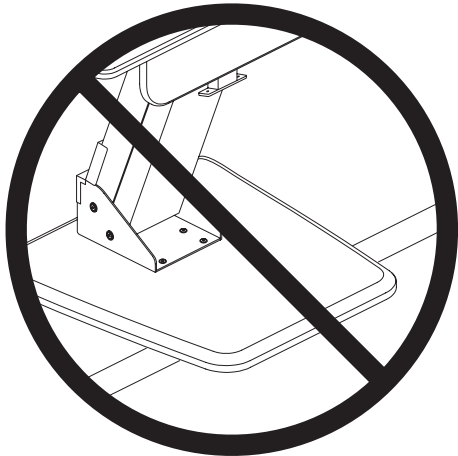
WARNING: When you first squeeze the paddle lever to operate this product, there is no load on the unit (weight of monitor, keyboard, etc.). Firmly hold the top platform to control the rate of movement. Take appropriate precautions to avoid pinching or otherwise injuring yourself.

Position the Main Assembly on the Work Surface

- The work surface must be a minimum of 24" in depth.



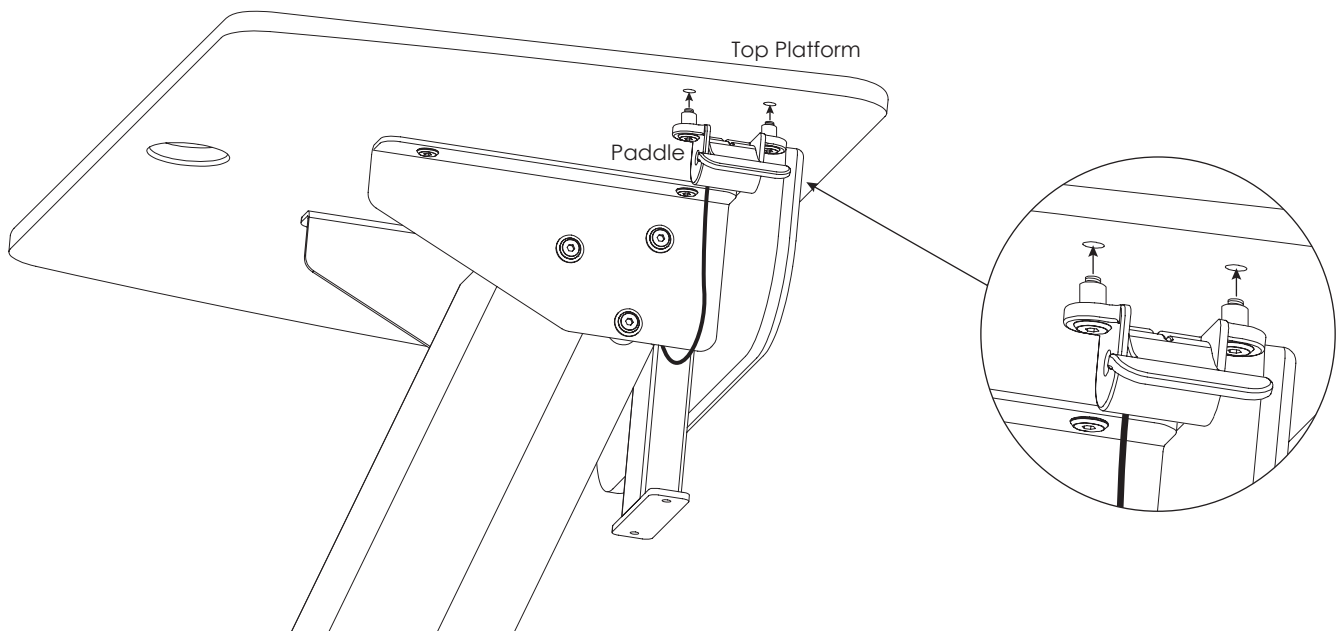
WARNING: Do not allow the base to hang over the edge of the work surface!



Attach Paddle

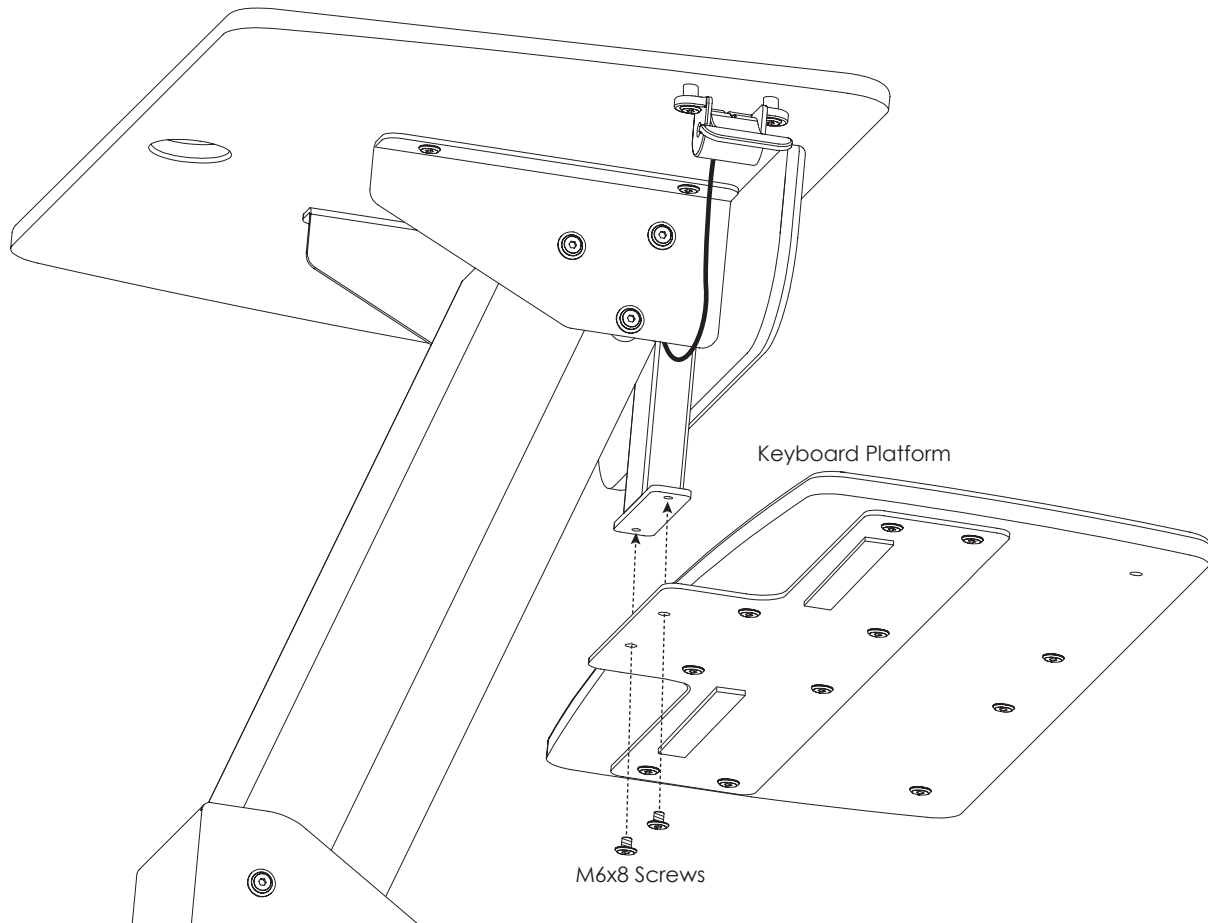
Holes for the activating paddle are pre-drilled into the top platform on both the left and right sides. You may attach the paddle on either side, depending on user preference.

- Use the 4mm Allen key to fasten the paddle to the top platform.



Attach Keyboard Platform

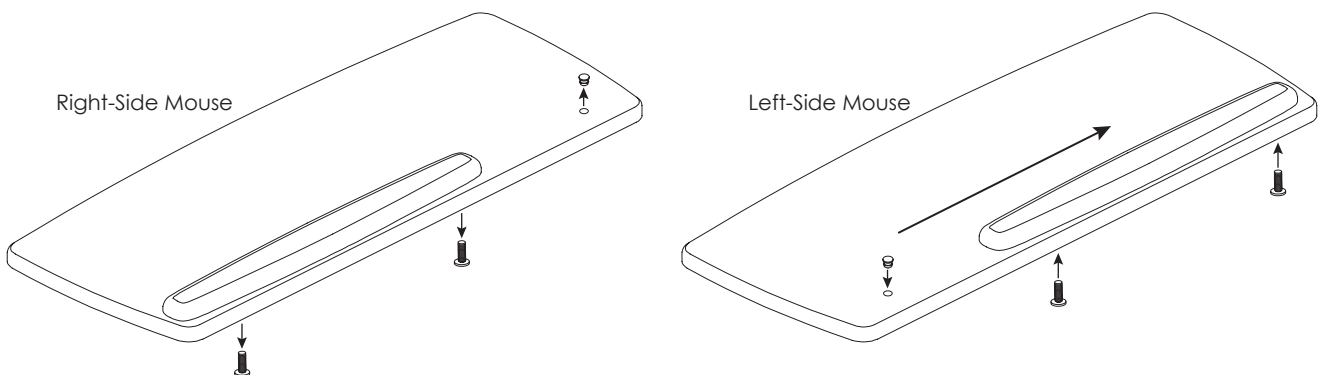
- Using the 4mm Allen key, attach the keypad with the M6x8 screws, as shown. Tighten securely.



Change Side of Keyboard Wristpad, If Desired

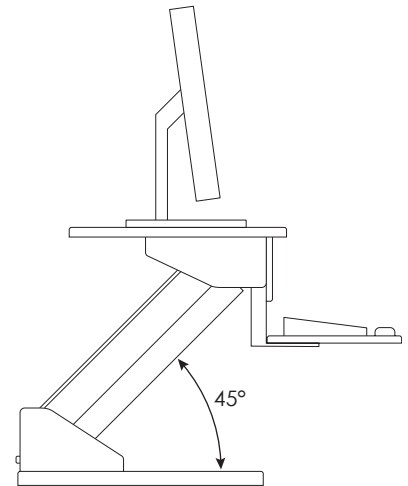
By default, the keyboard wristpad is on the left side for a right-side mouse. If desired, it may be changed to the right side for a left-side mouse.

- Using the 4mm Allen key, remove the screws holding the wristpad from the underside of the keyboard platform. Remove the plug from the far right-side hole.
- Re-install the screws to attach the wristpad to the right side of the keyboard platform. Use one of the new plugs provided to conceal the exposed left-side hole.



Test Operation

- Place the monitor and other equipment that will be used with this product on the top platform and keyboard platform.
- Depress the paddle lever. Raise and lower the unit through its full range of movement.
- Position the unit so the support beam is at a 45° angle. If necessary, make one or both of the following adjustments to fine tune operation of the product.

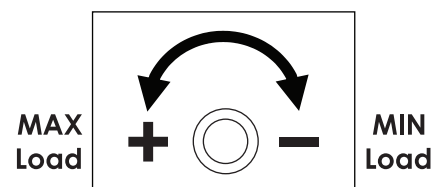
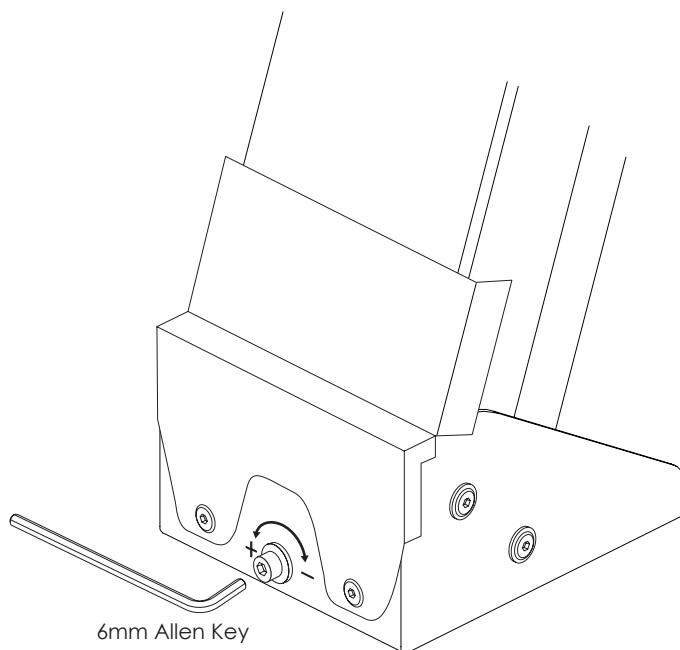


If Necessary, Adjust for Load Weight

This adjustment can be used to maximize ease of operation. When operating this product, the platform should move easily to any position and hold that position.

- If the platform is difficult to raise or lowers too easily, increase the load adjustment (+).
- If the platform is difficult to lower or raises too easily, decrease the load adjustment (-).
- Use the 6mm Allen key to turn the adjusting screw — counterclockwise to increase load, clockwise to decrease it.
- Test operation and re-adjust as necessary.

CAUTION: Do not overtighten the MAX (+) adjustment.





800.833.3746 | esiergo.com