



Victory-LX™ 2-Leg

electric table base

Victory-LX 2-Leg

electric table base



drawers easily slide over feet



optional casters



digital keypad

Product specs

- Electric height adjustment
- 220 lbs. base lifting capacity
- 1.4"/sec adjustment speed
- 26.1" height adjustment range
 - 21.6"—47.7" (low/high)
(excluding worksurface)
- Three stage adjustable legs
- Adjustable width frame
- Soft start
- Anti-collision safety feature
- Locking casters available
- Two motors
- ADA compliant
- Table base is UL962 listed
- Exceeds BIFMA x5.5 requirements
- Meets BIFMA GI-2013 ergonomic standards when used with a 1.0" worksurface
- Works with peds or storage with 20.0" max. height
- Low standby power consumption
- Steel frame and foot construction
- Warranty: 15 yrs. (structural) / 7 yrs. (mechanical)

Digital Keypad

- Digital programmable switch with three memory settings
- Keypad can slide under worksurface to store out of the way


esi

800.833.3746
esiergo.com

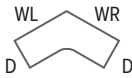
Victory-LX 2-Leg

electric table base


Rectangle

	Dimensions	Base model	List price	Surface model	List price
	36"w x 24"d	2VT-LX-C36-24-___	\$1,060	2R3624__	\$379
	42"w x 24"d	2VT-LX-C36-24-___	\$1,060	2R4224__	\$415
	48"w x 24"d	2VT-LX-C48-24-___	\$1,060	2R4824__	\$419
	60"w x 24"d	2VT-LX-C48-24-___	\$1,060	2R6024__	\$466
	72"w x 24"d	2VT-LX-C48-24-___	\$1,060	2R7224__	\$511
	84"w x 24"d	2VT-LX-C48-24-___	\$1,060	2R8424__	\$649
	36"w x 30"d	2VT-LX-C36-30-___	\$1,060	2R3630__	\$410
	42"w x 30"d	2VT-LX-C36-30-___	\$1,060	2R4230__	\$455
	48"w x 30"d	2VT-LX-C48-30-___	\$1,060	2R4830__	\$460
	60"w x 30"d	2VT-LX-C48-30-___	\$1,060	2R6030__	\$511
	72"w x 30"d	2VT-LX-C48-30-___	\$1,060	2R7230__	\$562
	84"w x 30"d	2VT-LX-C48-30-___	\$1,060	2R8430__	\$720

120°

	Dimensions	Base model	List price	Surface model	List price
	48"wl x 48"wr x 24"d	2VT-LX-C36-24-___	\$1,060	120-4824__	\$1,396
	60"wl x 60"wr x 24"d	2VT-LX-C48-24-___	\$1,060	120-6024__	\$1,839
	48"wl x 48"wr x 30"d	2VT-LX-C36-30-___	\$1,060	120-4830__	\$1,592
	60"wl x 60"wr x 30"d	2VT-LX-C48-30-___	\$1,060	120-6030__	\$1,846

D-top

	Dimensions	Base model	List price	Surface model	List price
	60"w x 30"d	2VT-LX-C48-30-___	\$1,060	D6030__	\$791
	72"w x 30"d	2VT-LX-C48-30-___	\$1,060	D7230__	\$862

Small equal corner


	Dimensions	Base model	List price	Surface model	List price
	42"wl x 42"wr x 24"d	2VT-LX-C36-24-___	\$1,060	2EC424224__	\$805
	48"wl x 48"wr x 24"d	2VT-LX-C36-24-___	\$1,060	2EC484824__	\$820

Table bases can be purchased independently or combined with a worksurface. Worksurfaces can only be purchased with a table base. See our worksurface ordering guide for details. ESI worksurfaces are made to exact dimensions. If nominal sizing is needed, please specify when ordering.

Caster Kit

- Set of caster wheels for table bases
- Increases height by 2.0"
- Locking wheels for security

MODEL # CASTERKIT-LX-2LEG \$50

Available base finishes

- Silver -SLV
- Black -BLK
- White -WHT

Worksurface shapes - LT

Multiple worksurface shapes are available. See chart to the left for full list. Worksurfaces can be come in a variety of laminates.

Edge Detail

Worksurfaces ship with a standard square profile edge and coordinating 3mm edge band. Additional edge detail profiles are available at an additional cost.



esi

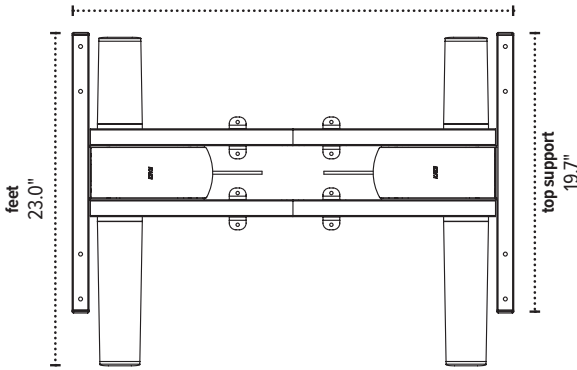
800.833.3746
esiargo.com

Victory-LX 2-Leg

electric table base

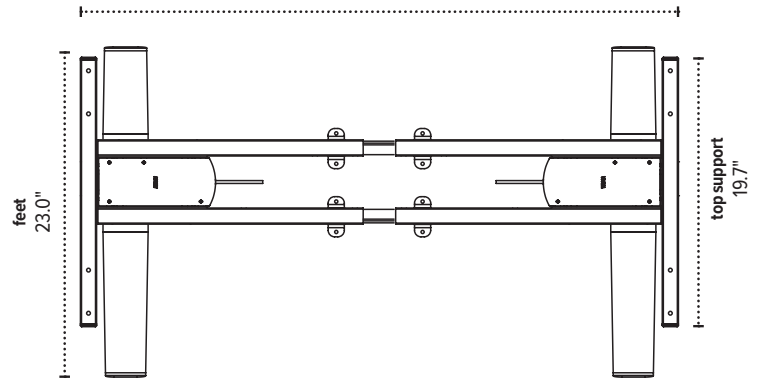
2VT-LX-C36-24

adjustable width
30.8"–47.0"



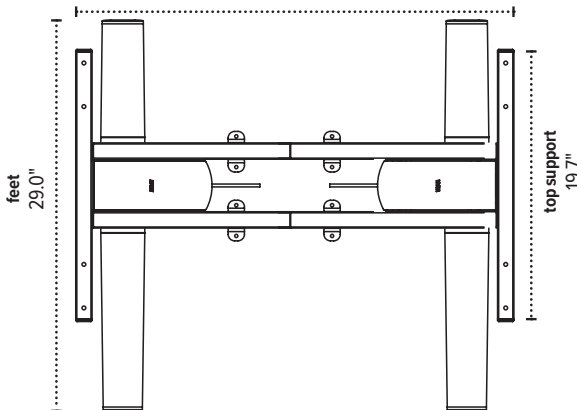
2VT-LX-C48-24

adjustable width
42.7"–71.0"



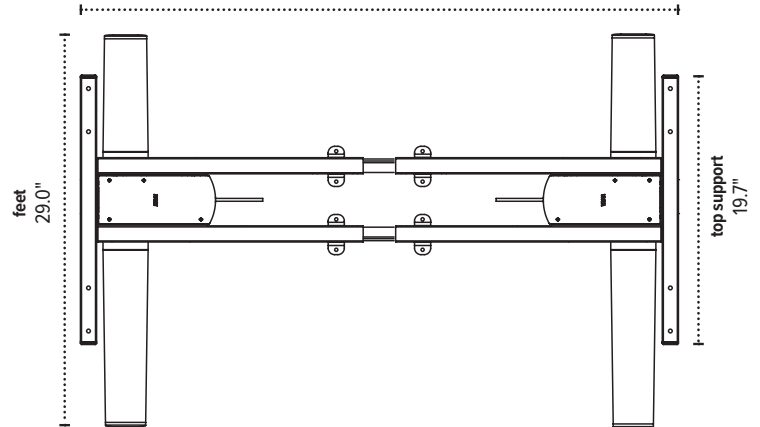
2VT-LX-C36-30

adjustable width
30.8"–47.0"



2VT-LX-C48-24

adjustable width
42.7"–71.0"



The base dimensions as shown are actual.

esi

800.833.3746
esiergo.com

© 2019 Fellowes, Inc.