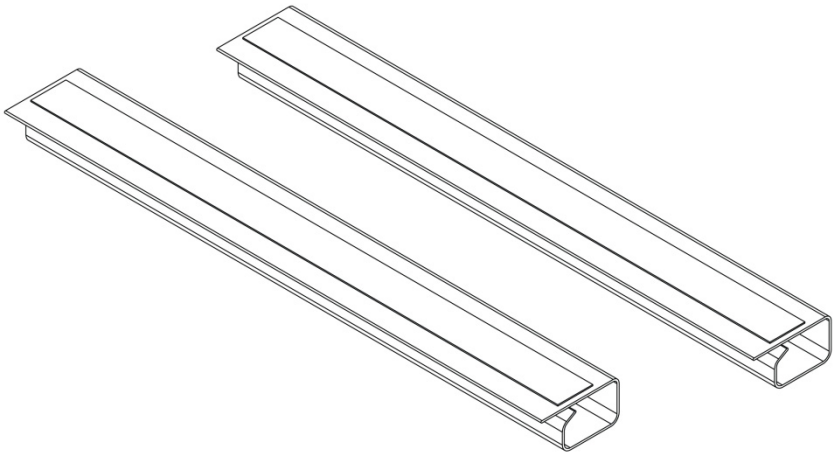


TROUGH-18

CABLE MANAGEMENT CHANNEL

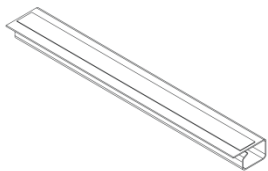
VERSION A

INSTRUCTION MANUAL



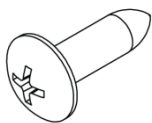
PARTS LIST

A Cable Channel



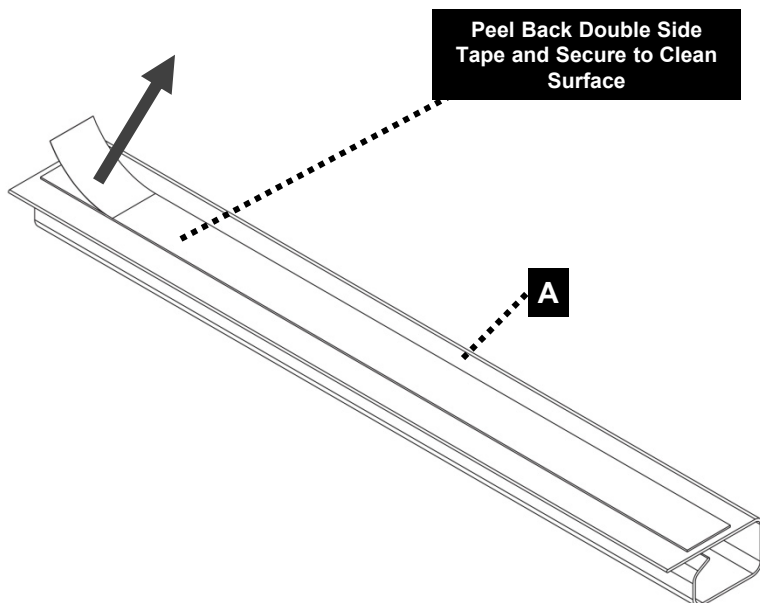
2 pcs

B Wood Screw



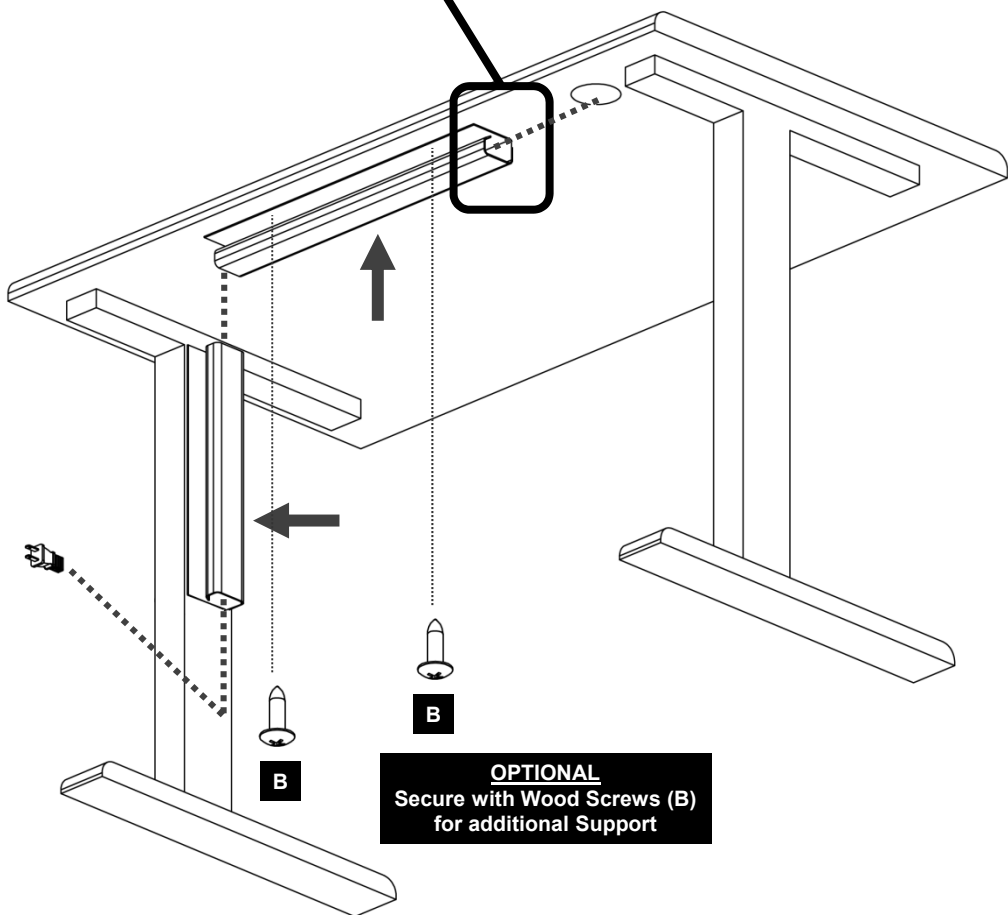
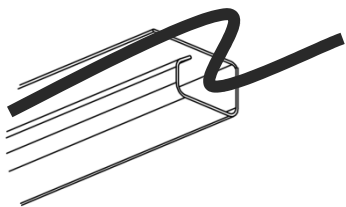
4 pcs

STEP 1



STEP 2

Route Cables Through Opening



OPTIONAL
Secure with Wood Screws (B)
for additional Support



Phone: 1-800-833-3746

Email: customerservice@esiergo.com

Web: www.esiergo.com