

ERGORISE LIFT

NON GSA

SIT-TO-STAND WORKSTATION

- Clamps to the front or back of the work surface
- Can mount to work surfaces 30" deep or less
- 4" of clearance is needed underneath work surface for clamp
- Pneumatic height adjustment
- Weight Capacity: 20 lbs
- Height Adjustment Range: 16"
- Top Platform: 27" X 15.75"
- Top platform includes grommet hole for cable management
- Keyboard Platform: 27" X 10.5"
- Keyboard platform includes palm rest
- Palm rest can be positioned on left or right side of keyboard platform

PART #

LIFT-SLV



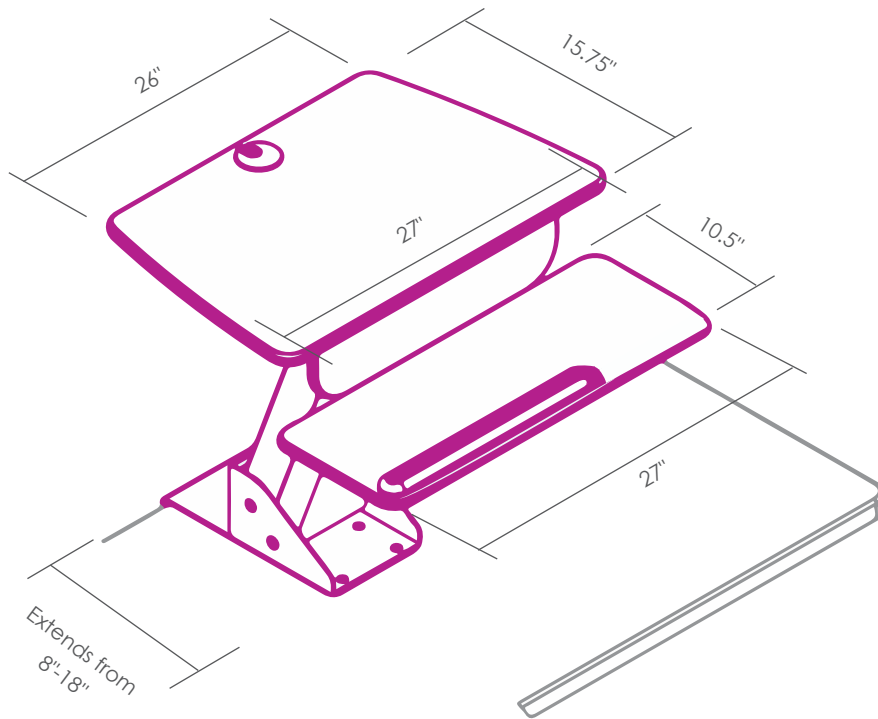
OPTION: Desk Clamp a monitor arm to the ERGORISE LIFT.



MONITOR ARM SOLD SEPARATELY

ERGORISE LIFT

TOP VIEW



ERGORISE LIFT

SIDE VIEW

