

ERGORISE CLIMB1

NON GSA

SINGLE MONITOR ARM SIT-TO-STAND WORKSTATION

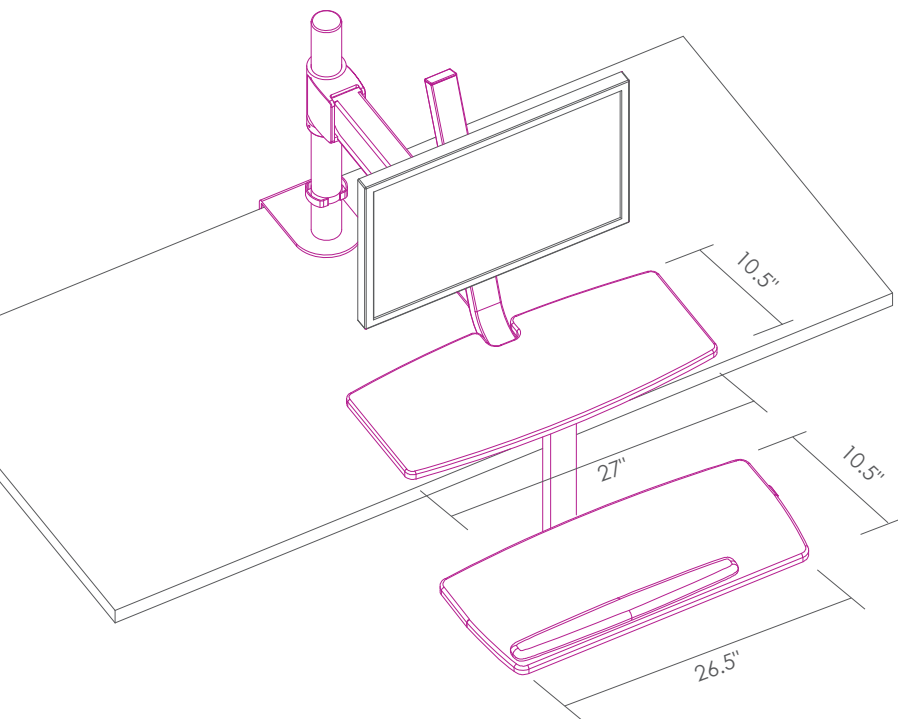
- Clamps to the back of the work surface
- Can mount to work surfaces 30" deep or less
- 6" of clearance is needed underneath the work surface for the desk clamp
- Pneumatic Height Adjustment
- Weight Capacity: 20 lbs
- Height Adjustment Range: 17"
- Keyboard Platform: 26.5" x 10.5"
- Keyboard Platform includes palm rest
- Palm rest can be positioned on the left or right side of the keyboard platform
- Monitor can be rotated for viewing in landscape or portrait orientation
- Monitor can move horizontally 7.5"
- Monitor can be adjusted 12" vertically along the mount
- Arm can be adjusted 19.5" up and down the pole

PART #

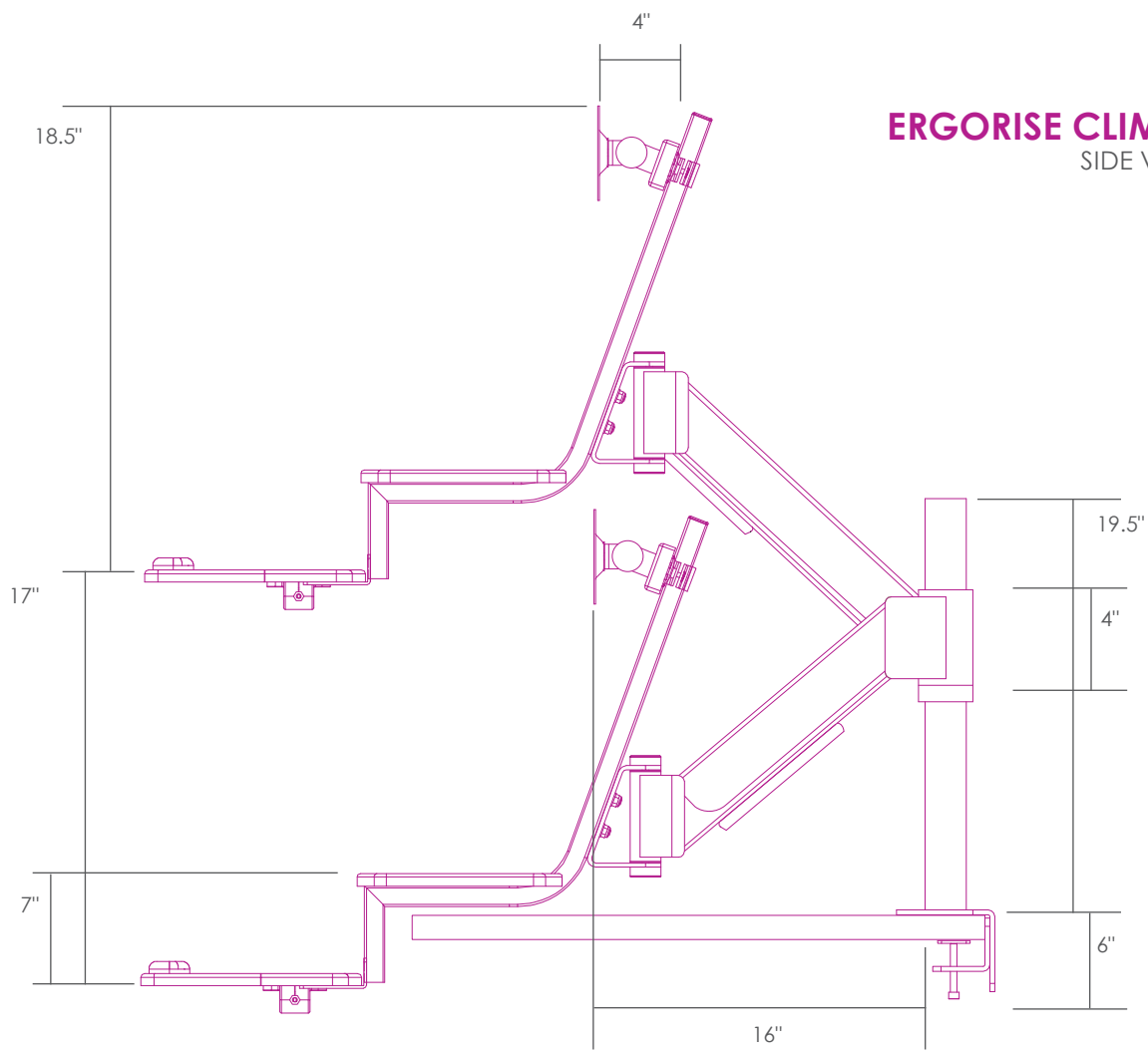
CLIMB1-SLV



Palm rest can be positioned on left or right side of keyboard platform



ERGORISE CLIMB1
TOP VIEW



ERGORISE CLIMB1
SIDE VIEW