



VICTORY NON GSA
ELECTRIC TABLE BASE

- Height Adjustment Range: 25.3"
 - LOW: 24.4" | HIGH: 49.7"
- Adjustment Speed: 1.4"/second
- Lifting Capacity:
 - 220 lbs (2-leg) / 330 lbs (3-leg)
- Adjustable Cross Channels
- Soft Start feature allows the user to ease-in to a height adjustment
- Anti-Collision Safety Feature

- SILVER (-SLV)
- BLACK (-BLK)
- WHITE (-WHT)

Example: 2VT-C28-24-**BLK** =
2 Leg Victory with 28 x 24 cross
channels in **BLACK**



AVAILABLE 3 LEG WORK SURFACES

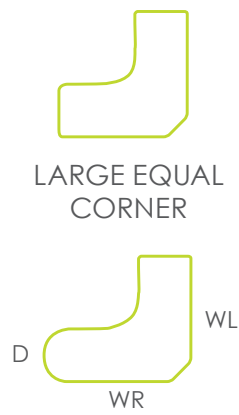
*CALL CUSTOMER SERVICE FOR 120° WORK SURFACE OPTIONS.



OFFSET CORNER RIGHT



OFFSET CORNER LEFT



LARGE EQUAL CORNER



PENINSULA RIGHT (PEN RIGHT)

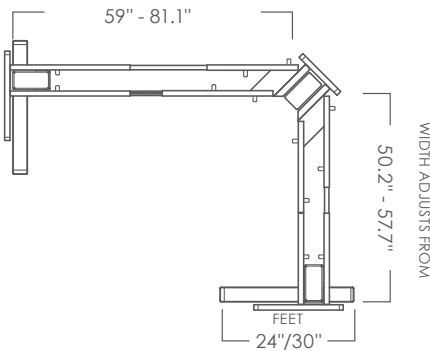


120 DEGREE*

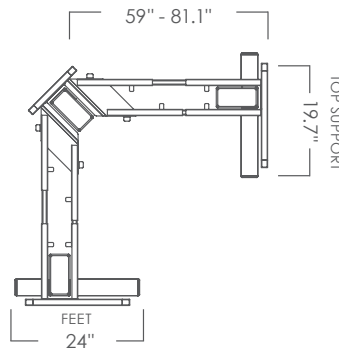


PENINSULA LEFT (PEN LEFT)

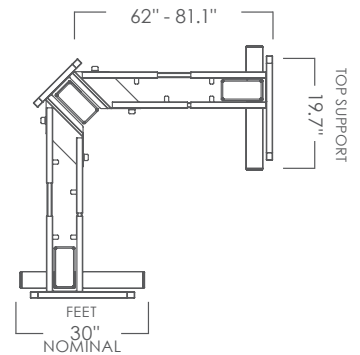
3VT-C3648-24 & 3VT-C3648-30
WIDTH ADJUSTS FROM



3VT-C4848-24
WIDTH ADJUSTS FROM



3VT-C4848-30
WIDTH ADJUSTS FROM



DIGITAL KEYPAD
VICTORY UPGRADE



- Digital programmable switch with 3 memory settings
- Low Standby Power Consumption

PART #

DGTLKPD-VE3

VICTORY 3 LEG ORDERING OPTIONS

	DIMENSIONS			BASE PART # SPECIFY COLOR PREFERENCE	SURFACE PART #
	WL	WR	D		
LARGE EQUAL CORNER	60	60	24	3VT-C4848-24-___	3EC606024__
	72	72	24	3VT-C4848-24-___	3EC727224__
	60	60	30	3VT-C4848-30-___	3EC606030__
	72	72	30	3VT-C4848-30-___	3EC727230__
OFFSET CORNER LEFT	60	48	24	3VT-C4836-24-___	3OCL604824__
	72	48	24	3VT-C4836-24-___	3OCL724824__
	72	60	24	3VT-C4848-24-___	3OCL726024__
	60	48	30	3VT-C4836-30-___	3OCL604830__
	72	48	30	3VT-C4836-30-___	3OCL724830__
	72	60	30	3VT-C4848-30-___	3OCL726030__
OFFSET CORNER RIGHT	48	60	24	3VT-C4836-24-___	3OCR486024__
	48	72	24	3VT-C4836-24-___	3OCR487224__
	60	72	24	3VT-C4848-24-___	3OCR607224__
	48	60	30	3VT-C4836-30-___	3OCR486030__
	48	72	30	3VT-C4836-30-___	3OCR487230__
	60	72	30	3VT-C4848-30-___	3OCR607230__
PEN LEFT	72	48	30	3VT-C4836-30-___	3PL724830__
	72	60	30	3VT-C4848-30-___	3PL726030__
PEN RIGHT	48	72	30	3VT-C4836-30-___	3PR487230__
	60	72	30	3VT-C4848-30-___	3PR607230__

WORK SURFACES ARE NOT SOLD SEPARATELY. SEE LAMINATE GUIDE FOR DETAILS.