



reddot winner 2020

esi®



Kata™ 2-MS

Dual monitor arm

V35 - Pricing effective 6/1/2021

Kata2-MS

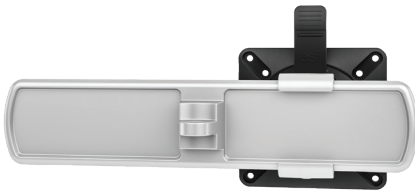
Dual monitor arm



tension adjustment



integrated tool storage



slider mount



grommet mount



desk clamp

Product specs

- Finger touch dynamic height adjustment
- Recommended for worksurfaces 30.0" deep or less
- 4.0" height adjustment range
 - 3.0"–17.0" (low/high)
- 18.7" arm extension
- 6.5" arm retraction
- +90°/-25° monitor tilt
- ±90° VESA rotation
- 6.0" base height
- 2.5 lb.–18.5 lb. weight capacity (*per arm*)
- VESA 75mm/100mm quick release
- 180° lock-out feature
- Specify a grommet mount or a desk clamp mount
- Sliders provide 9.5" of additional horizontal adjustability
- Tension adjustment indicator for precision installation
- Partially assembled for quick installation
- Integrated cord management
- Integrated tool holder
- 32.0" max. monitor width
Bezel measured left to right.
Max. width is contingent on weight capacity.
- Warranty: 15 yr.
- Designed for ESI by Roger Webb Associates of London

Model

List price

<input type="radio"/> KATA2-MS-DC-SLV	\$798
<input checked="" type="radio"/> KATA2-MS-DC-BLK	\$798
<input type="radio"/> KATA2-MS-DC-WHT	\$798
<input type="radio"/> KATA2-MS-GM-SLV	\$798
<input checked="" type="radio"/> KATA2-MS-GM-BLK	\$798
<input type="radio"/> KATA2-MS-GM-WHT	\$798

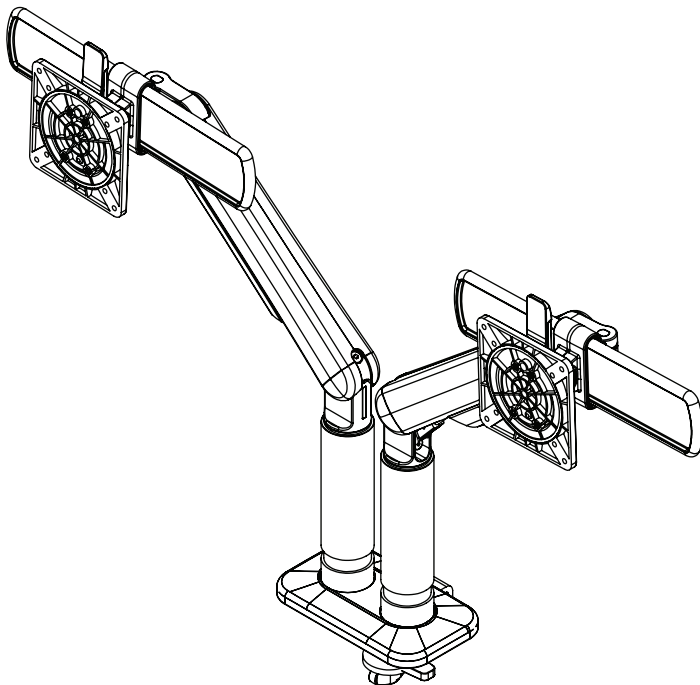
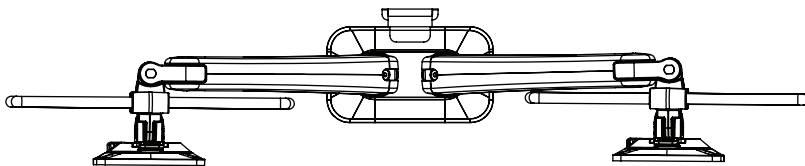
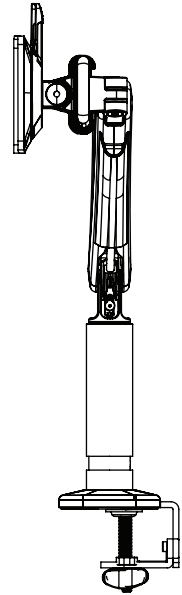
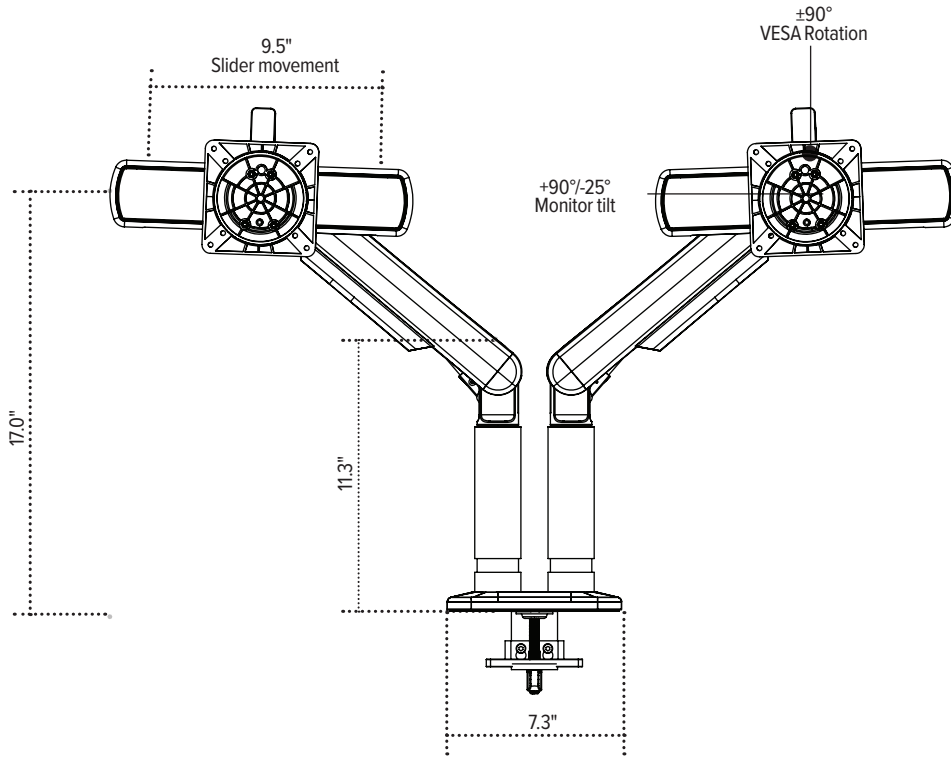
Available mounting options

DC - Desk clamp

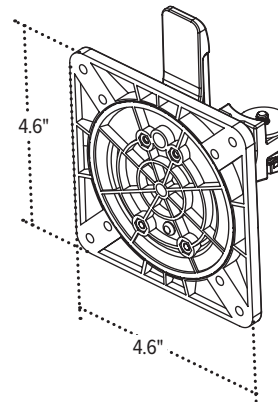
GM - Grommet mount

Kata2-MS

Dual monitor arm



VESA Plate



VESA (profile view)

