

esi®



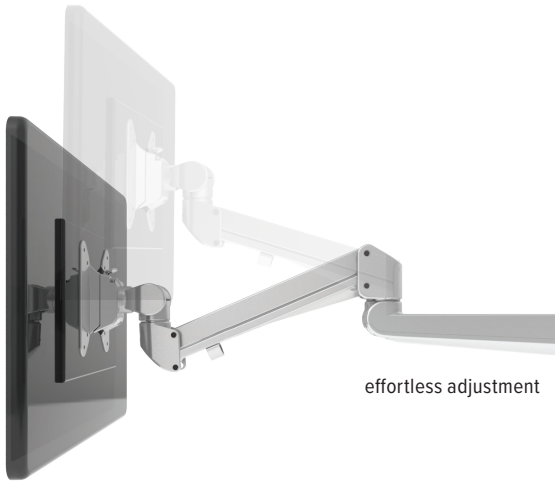
Edge®  
Single monitor arm

# Edge

Single monitor arm



# esi®



effortless adjustment



cable management



landscape/portrait rotation



grommet mount



desk clamp



integrated allen key storage



VESA quick release

## Product specs

- Finger touch dynamic height adjustment
- Recommended for worksurfaces 36.0" deep or less
- 12.09" height adjustment range
  - 7.68-19.78" (low/high)
- 21.55" arm extension
- 3.22" arm retraction
- $\pm 90^\circ$  monitor tilt
- $\pm 90^\circ$  VESA rotation
- 6.5 lb.-17.6 lb. weight capacity
- VESA 75mm/100mm quick release
- 180° lock-out feature
- Desk clamp and grommet mount included
- Meets or exceeds BIFMA x5.5 and CSA CAN/CGSB44.227 guidelines
- Benching system mount(s) available. Call the Customer Service Dept for details
- Warranty: 15 yr.



## Model #

- EDGE-SLV
- EDGE-BLK
- EDGE-WHT

## Conversion

Reuse most of the parts in your single Edge arm when you convert up to the Edge2 with our simple kit. *Conversion kit sold separately*

# Edge

Single monitor arm

