



# Evolve28-FM

Evolve1-FM + extended pole

# Evolve28-FM

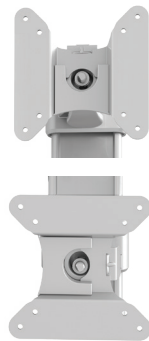
Evolve1-FM + extended pole



standard 16.0" pole shown on right



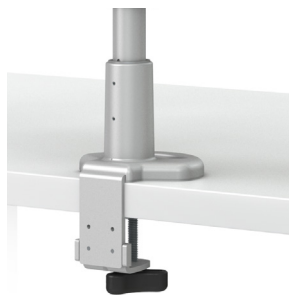
VESA quick release



landscape/portrait rotation



grommet mount



desk clamp

## Product specs

- Finger touch dynamic height adjustment
- Recommended for worksurfaces 24.0"–36.0" deep or corner applications
- 26.8" arm extension
- 3.0" arm retraction
- +90°/-25° tilt
- +90°/-90° rotation
- 6.5 lbs.–17.6 lbs. weight capacity (*per arm*)
- 28.0" pole height
- VESA quick release
- 180° lock-out feature
- Desk clamp and grommet mount included
- Exceeds BIFMA x5.5 requirements
- Benching system mount(s) available. Call Customer Service for details.
- Warranty: 15 yr.



## Model #

## List price

<input type="radio"/> EVOLVE28-FM-SLV	\$440
<input checked="" type="radio"/> EVOLVE28-FM-BLK	\$440
<input type="radio"/> EVOLVE28-FM-WHT	\$440

## Evolve monitor arm key

F - fixed monitor arm

M - Motion monitor arm

S - Slider mount

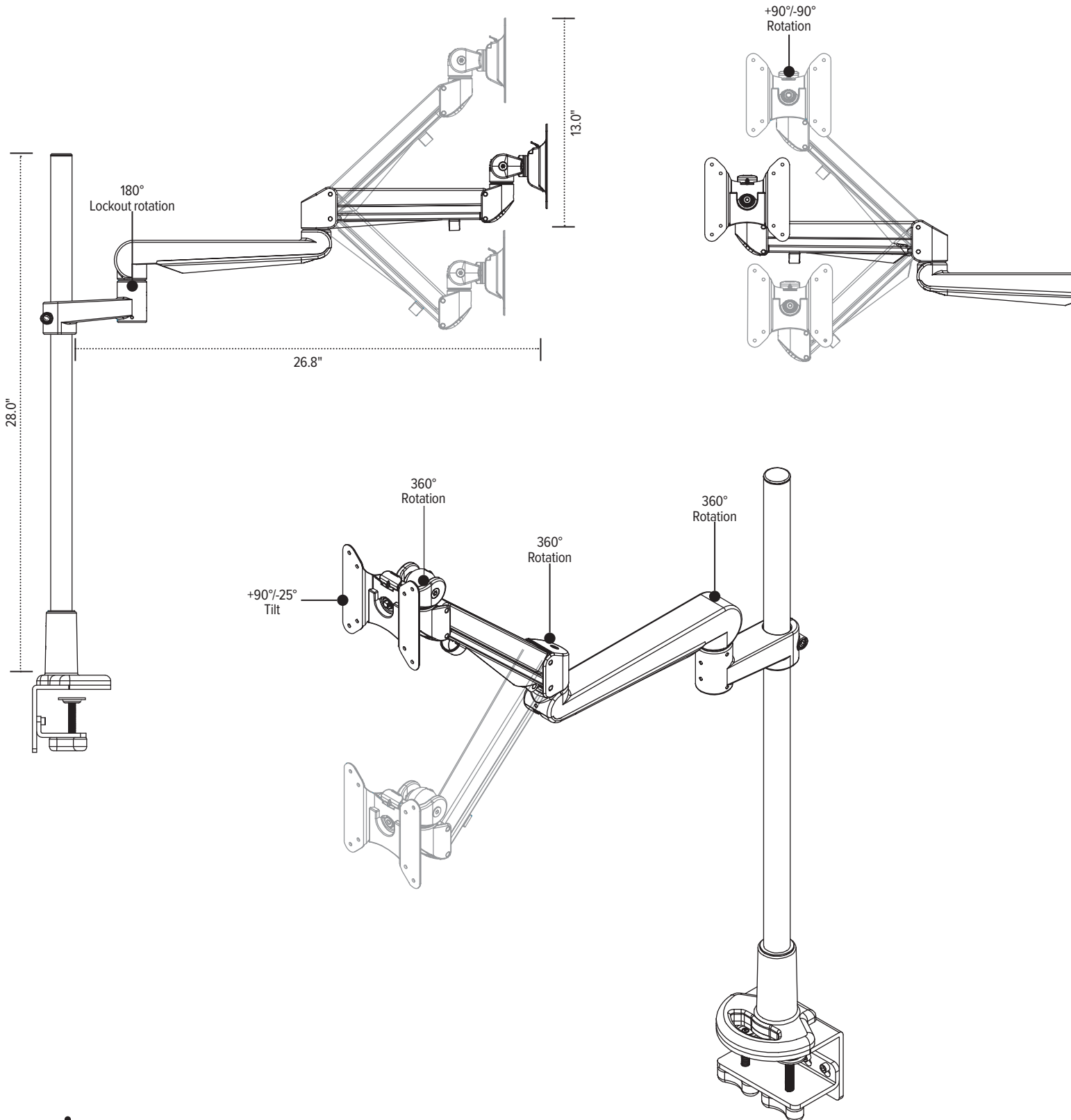
esi

800.833.3746  
esiergo.com



# Evolve28-FM

Evolve1-FM + extended pole



esi

800.833.3746  
esiergo.com