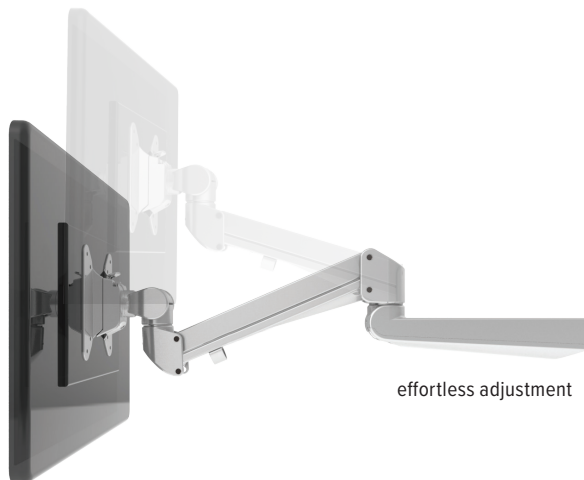




Edge-Max[®]

heavy duty single monitor arm



effortless adjustment



cable management



landscape/portrait rotation



grommet mount



desk clamp



integrated allen key storage



VESA quick release

Product specs

- Finger touch dynamic height adjustment
- Recommended for heavy monitors and all-in-one computers
- 13.5" height adjustment range
 - 9.3"–22.8" (low/high)
- 22.4" arm extension
- 4.5" arm retraction
- +85°/-35° monitor tilt
- ±90° VESA rotation
- 17.6 lbs.–42.0 lbs. weight capacity
- VESA quick release
- 180° lock-out feature
- 360° rotation at three points
- Exceeds BIFMA x5.5 requirements
- Desk clamp and grommet mount included
- Warranty: 15 yr.



Model

- EDGE-MAX-SLV

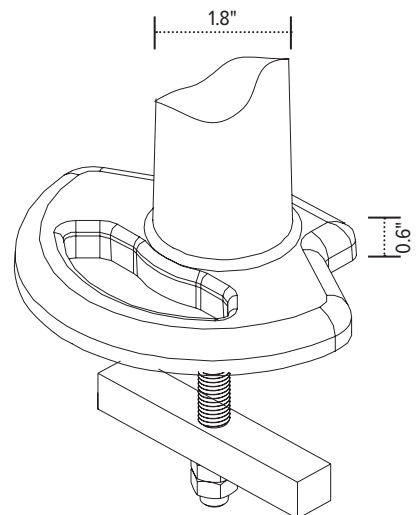
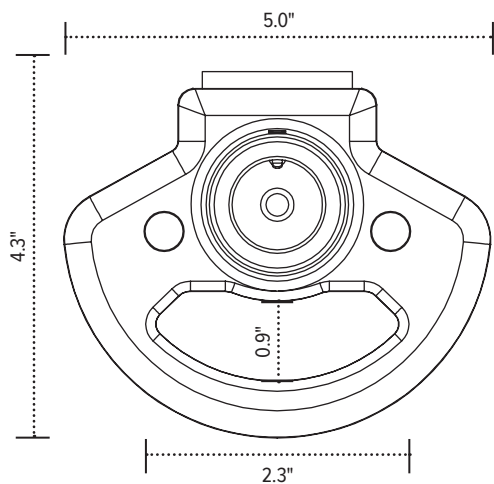
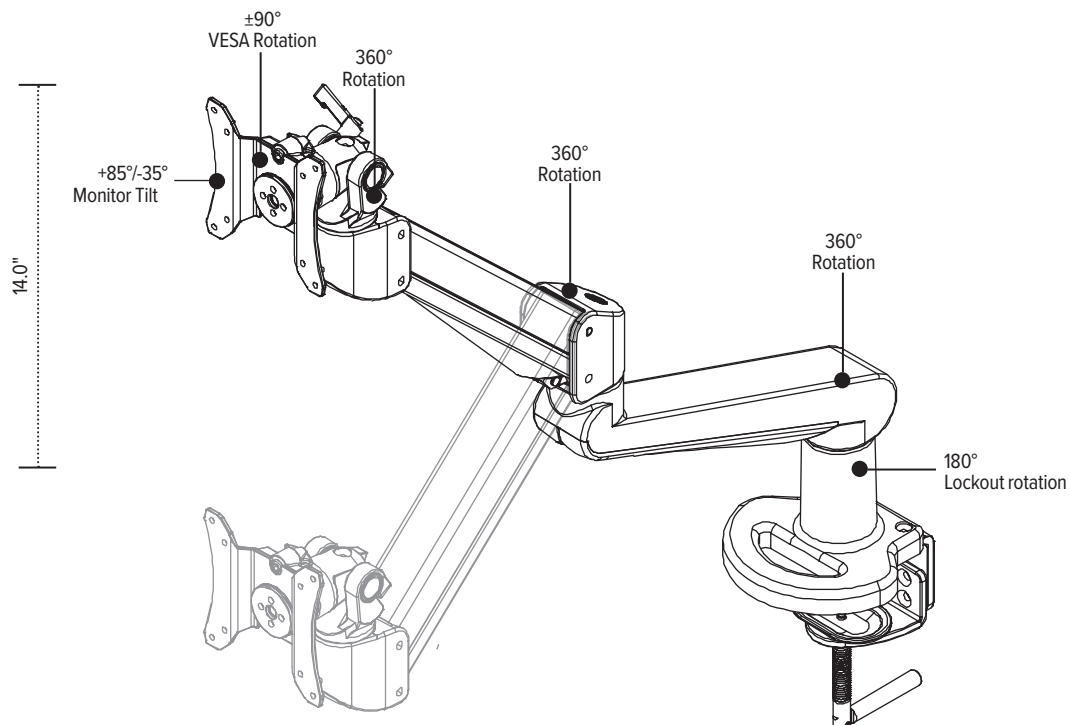
Conversion

Reuse most of the parts in your single Edge-Max arm when you convert up to the Edge-Max-Dual with our simple kit.

Conversion kit sold separately

Edge-Max

heavy single monitor arm



esi

800.833.3746
esiergo.com