



Mini CPU holder

Titan-Edge small CPU holder

Mini CPU holder

Titan-Edge small CPU holder



Product specs

- 3.3"–6.0" adjustable width
- 16.0"–22.0" adjustable height
- 55 lbs. load capacity
- Fits CPUs 5.0"–20.0" in overall height
- Compatible only with Titan-Edge and Titan2-Edge
- Warranty: 15 yrs.
- Available on GSA contract



Model

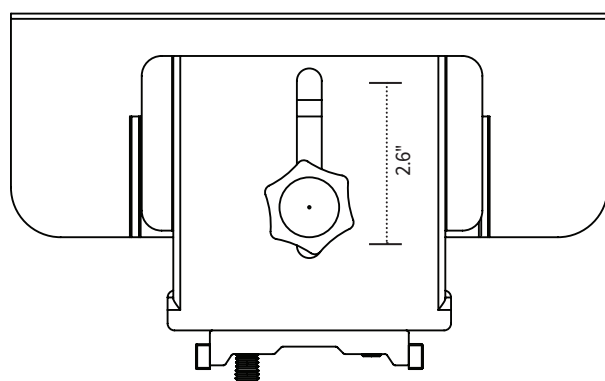
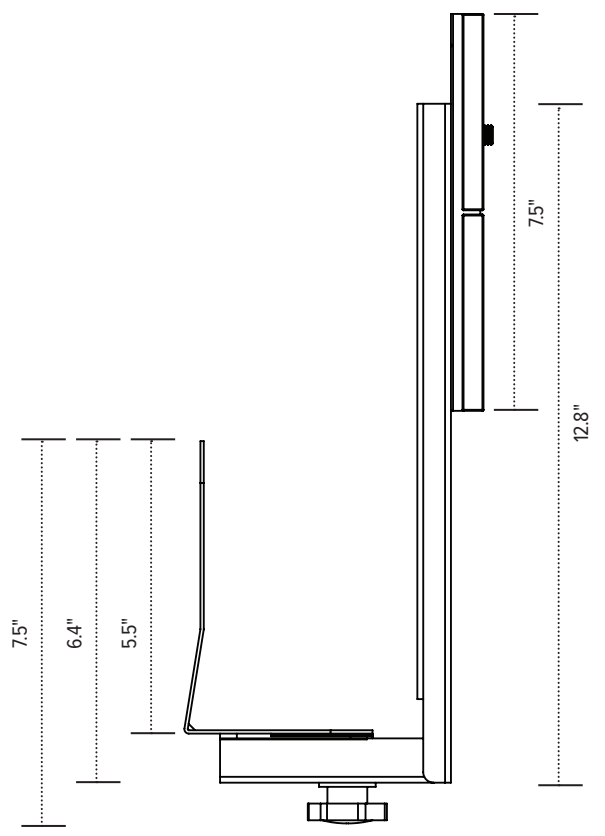
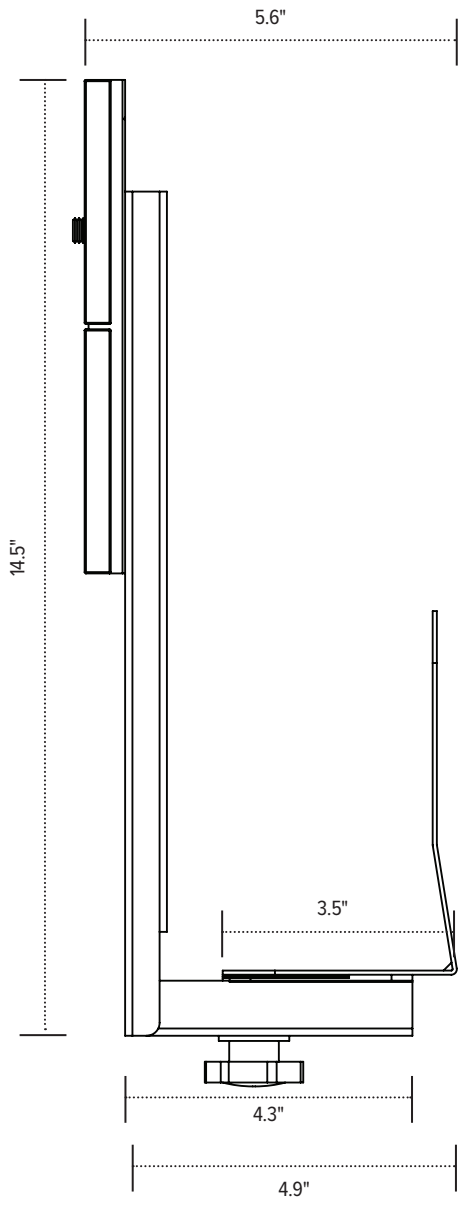
PAC-CPUMINI

esi

800.833.3746
esiergo.com

Mini CPU holder

Titan-Edge small CPU holder



800.833.3746
esiergo.com