



Installation instructions

FlexCharge™ Hub ES/K1/K2

Desktop charging station

Model # FCHHUB-ES-____

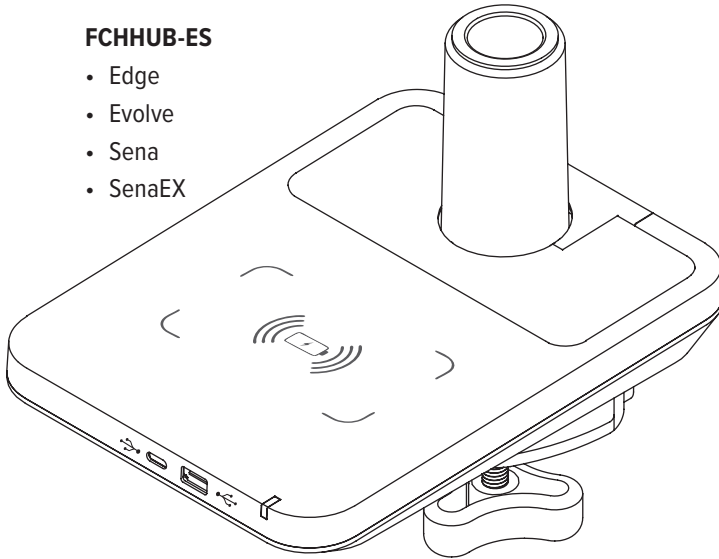
Model # FCHHUB-K1-____

Model # FCHHUB-K2-____

____ = SLV, BLK or WHT

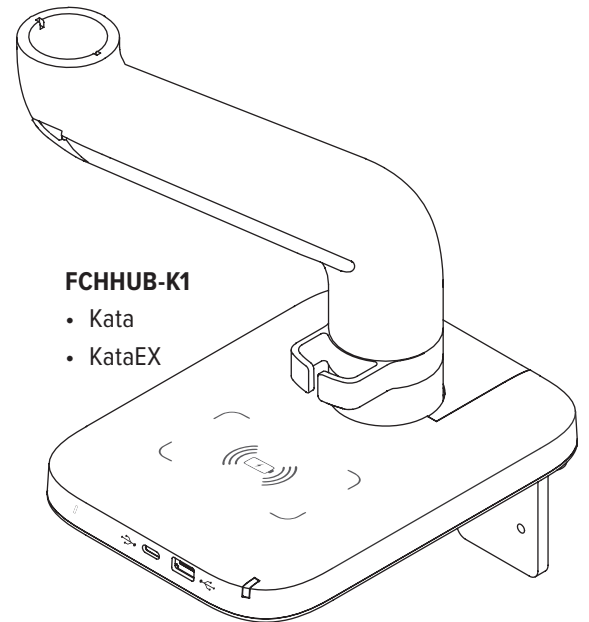
FCHHUB-ES

- Edge
- Evolve
- Sena
- SenaEX



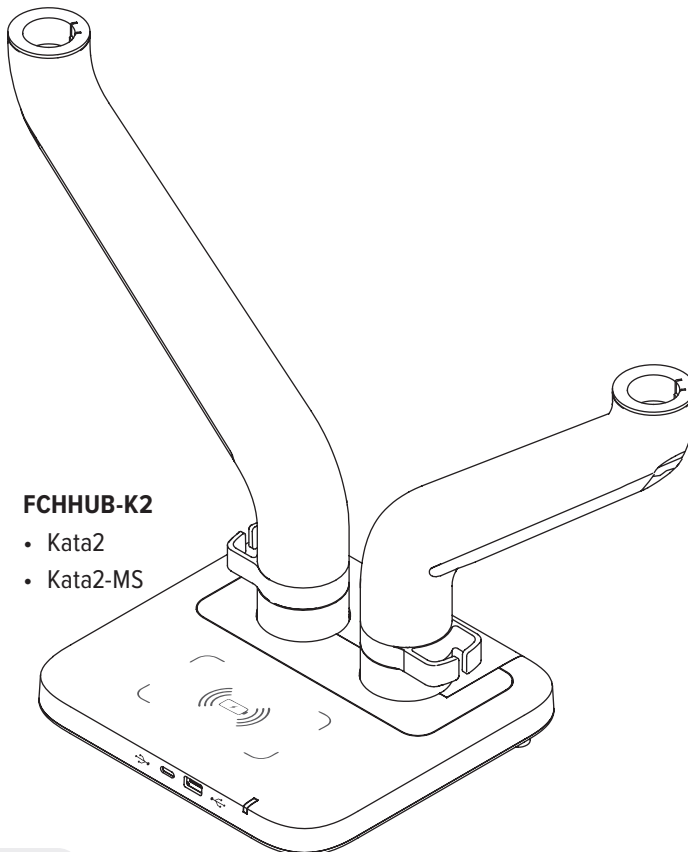
FCHHUB-K1

- Kata
- KataEX



FCHHUB-K2

- Kata2
- Kata2-MS





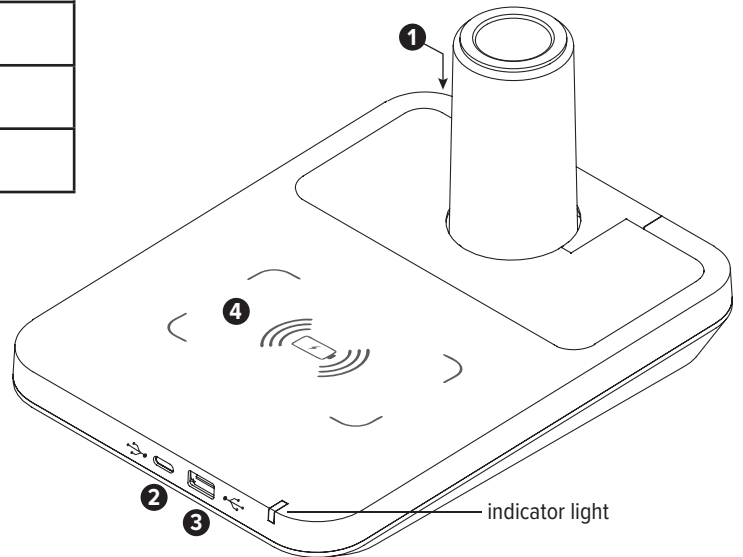
Safety Instructions

- FlexCharge Hub is for charging Qi™ compatible smartphones only.
- Only use the power supply that was supplied with this product.
- It is normal for the wireless charging surface to get warm during charging. If there is an issue while charging, the indicator lights will flash.
- Keep flammable materials away from the charging surface.
- Only use the wireless charger for its intended purpose. Improper use or use of incompatible devices may result in a risk of fire, explosion, or other hazard.
- DO NOT attempt to charge a device that is damaged or has an open battery case or is not Qi compatible.
- DO NOT attempt to disassemble or repair the wireless charger.
- DO NOT use if power cord or transformer is damaged.
- Keep the wireless charging surface clean and dry.
- Use a soft, clean, dry cloth to clean the surface of the wireless charger.
- Compatible with ESI Kata, Sena, Edge and Evolve series monitor arms.

Specifications

Port	Description	Specifications
1	Power Supply Port	Power (12V, 3A)
2	USB Port (Type A) Fast Charging	5V,9V,12V, Max 2.4A
3	USB Port (Type C) Fast Charging	5V,9V,12V, Max 2.4A
4	Wireless Charging Pad	5V~9V, Max 10W

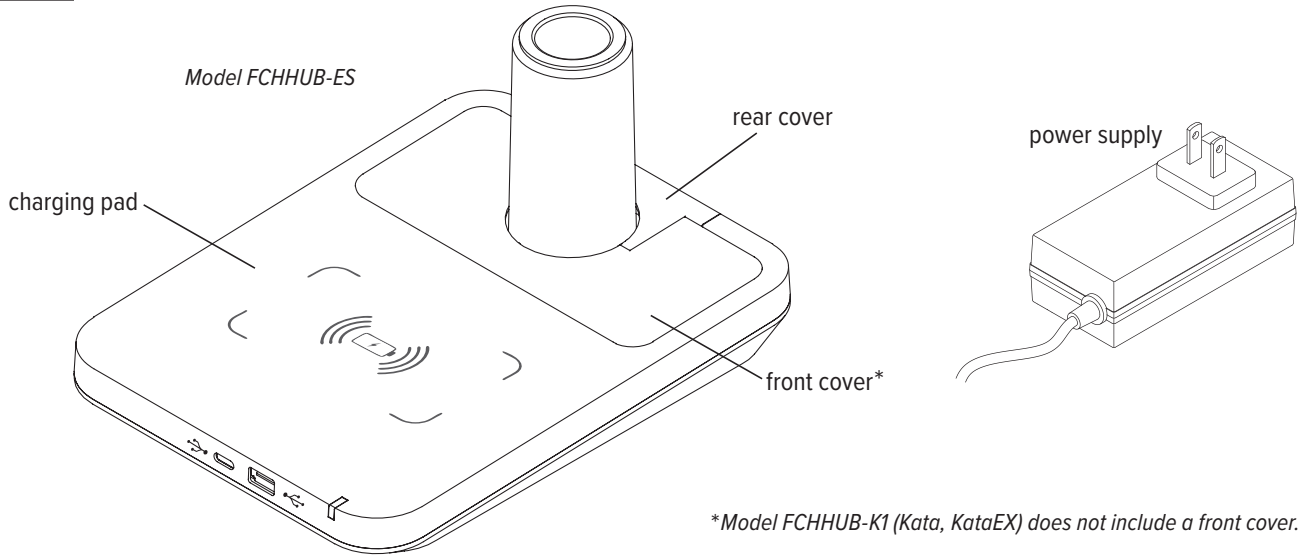
- The frequency range is 110KHZ – 205KHZ.
- The maximum H-field is -6dBuA/m.





Please review these instructions before beginning the installation. Check that all the components needed for your installation were provided with your order. The components provided vary depending on the specific hub model. Do not discard the packaging until the product works to your satisfaction.

Components



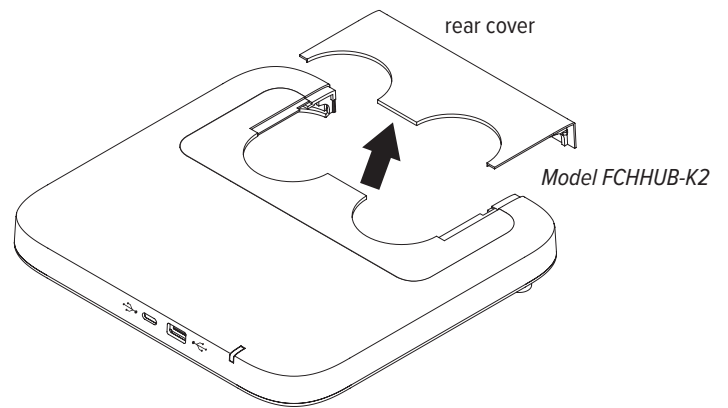
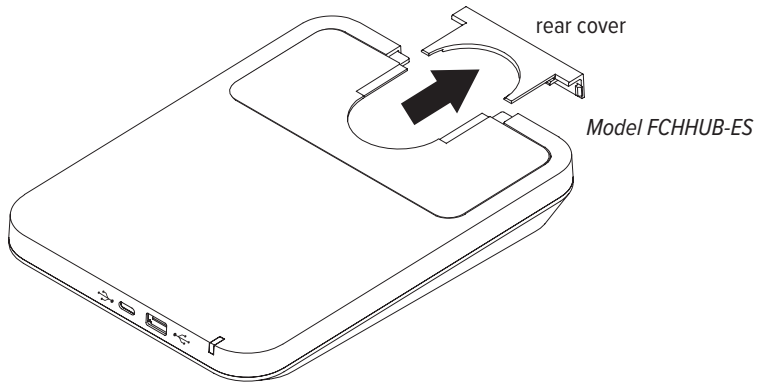
*Model FCHHUB-K1 (Kata, KataEX) does not include a front cover.

Model FCHHUB-ES	Model FCHHUB-K1	Model FCHHUB-K2
1 charging pad	1 charging pad	1 charging pad
1 power supply	1 power supply	1 power supply
4 front covers <i>Edge/Evolve</i> <i>Sena (single)</i> <i>Sena2 (dual)</i> <i>SenaEX (pole)</i> 	1 rear cover 	1 front cover 1 rear cover
3 rear covers <i>Edge/Evolve/Sena</i> <i>Sena2</i> <i>SenaEX</i> 		

Installation of the FlexCharge Hub is quick and easy. No disassembly of the monitor arm is required. Simply follow the steps below.

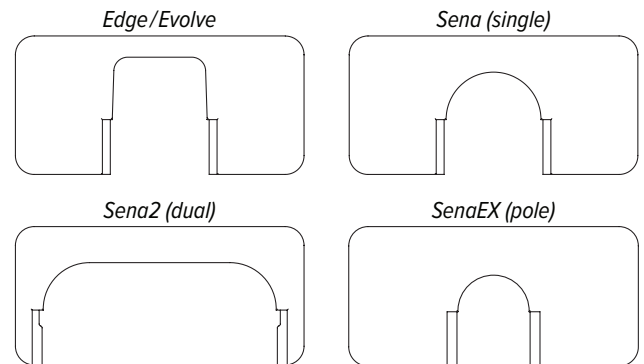
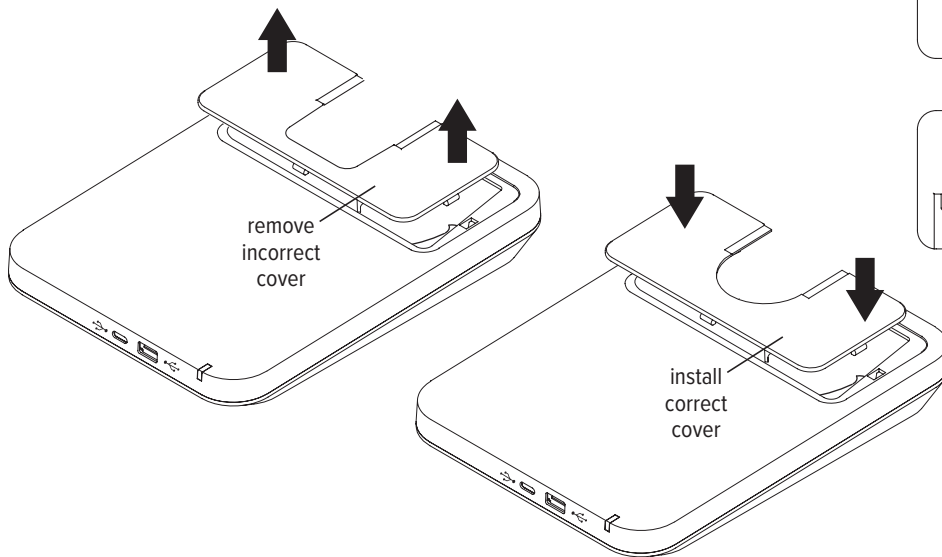
Step #1: remove the rear cover

- The rear cover on Model FCHHUB-ES slides off the charging pad.
- The rear cover on Models FCHHUB-K1 and FCHHUB-K2 snaps off the charging pad.



Step #2: Model FCHHUB-ES only: if necessary, remove the front cover and install a different one

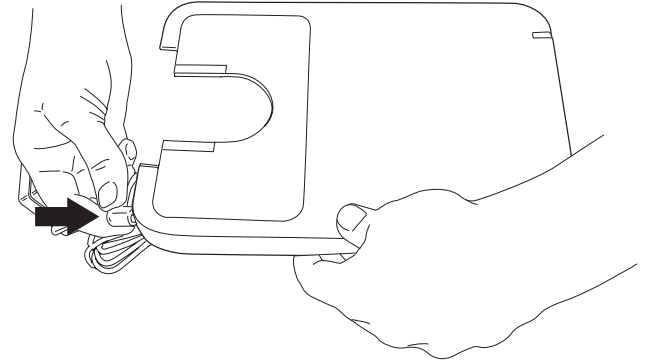
- Refer to the illustrations at right. If the correct cover for your monitor arm assembly is already on the charging pad, proceed to Step #3.
- If not, remove the front cover and install the correct one.





Step #3: plug the power supply connector into the charging pad

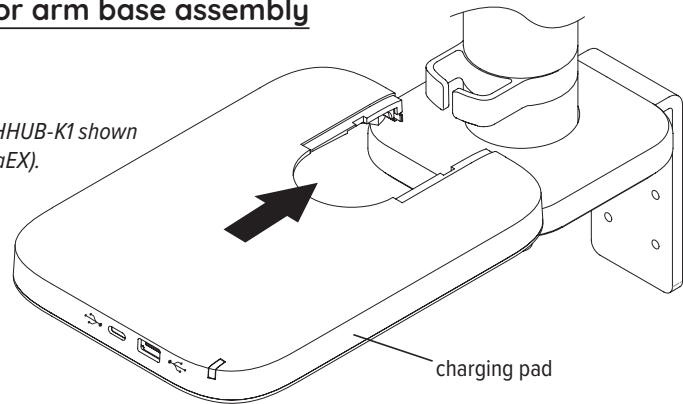
- Plug the barrel connector on the power supply into the port at the rear of the charging pad.
- Do not plug the power supply into an outlet until after installation is complete.



Step #4: install the charging pad onto the monitor arm base assembly

- Place the charging pad over the monitor arm base.

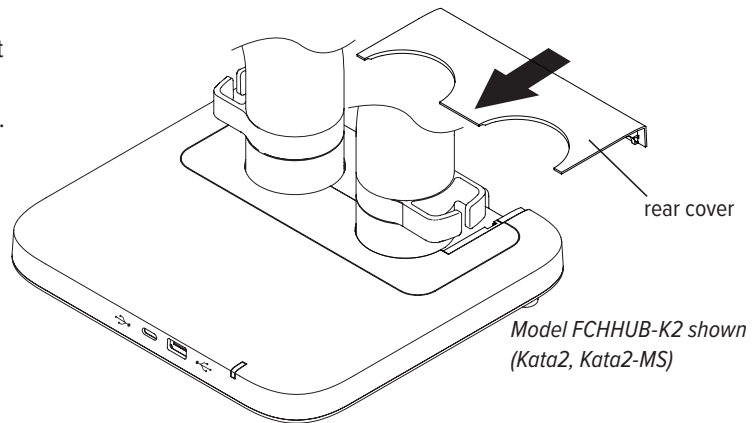
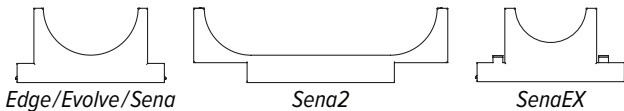
Model FCHHUB-K1 shown (Kata, KataEX).



Step #5: install the rear cover

- **Model FCHHUB-ES only:** Refer to the illustrations below and select the correct rear cover.
 - Slide the rear cover for Model FCHHUB-ES onto the charging pad.
- For Models FCHHUB-K1 and FCHHUB-K2, snap the rear cover onto the charging pad.

rear covers for Model FCHHUB-ES



Step #6: power the charging pad

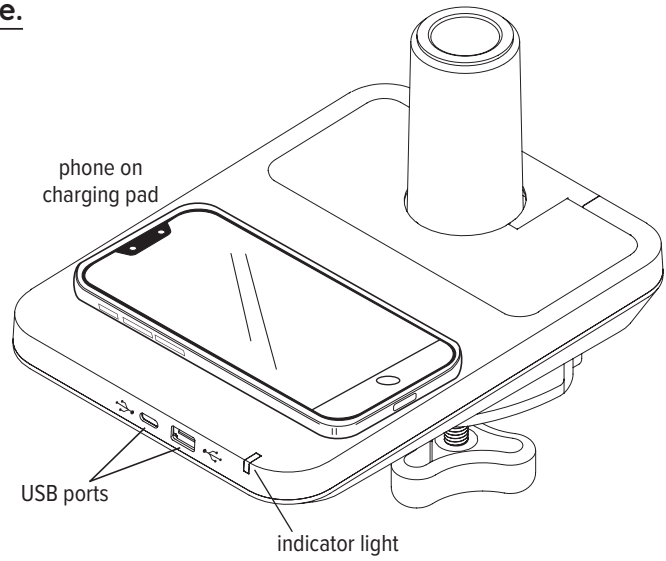
- Plug the power supply into a standard AC outlet.



Use the FlexCharge Hub to charge your mobile device.

- If your phone is Qi-enabled, simply place it onto the charging pad.
 - Review the manual for your device to see if it is Qi-enabled
- You may also charge your phone using the appropriate USB port.
 - The indicator light does not illuminate when a USB port is used to charge a phone.
- See the table below to learn how the indicator light shows the charging pad status of your device.

Charging Pad Status	White LED
Standby	OFF
Charging	ON
Foreign Object Detected	Flash





FlexCharge™ Hub ES/K1/K2

Desktop charging station

Please contact Customer Service with any questions or comments at 800.833.3746 or visit our website at esiergo.com

FCC NOTE

This equipment has been tested and found to comply with the limits for a Class B digital device, pursuant to part 15 & 18 of the FCC Rules. These limits are designed to provide reasonable protection against harmful interference in a residential installation. This equipment generates, uses and can radiate radio frequency energy and, if not installed and used in accordance with the instructions, may cause harmful interference to radio communications. However, there is no guarantee that interference will not occur in a particular installation. If this equipment does cause harmful interference to radio or television reception, which can be determined by turning the equipment off and on, the user is encouraged to try to correct the interference by one or more of the following measures:

- Reorient or relocate the receiving antenna.
- Increase the separation between the equipment and receiver.
- Connect the equipment into an outlet on a circuit different from that to which the receiver is connected.
- Consult the dealer or an experienced radio/TV technician for help.

This device complies with part 15 of the FCC Rules. Operation is subject to the following two conditions:

1. This device may not cause harmful interference.
2. This device must accept any interference received, including interference that may cause undesired operation.

Any changes or modifications not expressly approved by the party responsible for compliance could void the user's authority to operate the equipment.

This equipment complies with FCC radiation exposure limits set forth for an uncontrolled environment.

This equipment must be installed and operated in accordance with provided instructions and the antenna(s) used for this transmitter must be installed to provide a separation distance of at least 15 cm from all persons and must not be collocated or operating in conjunction with any other antenna or transmitter.

LIMITED WARRANTY

Fellowes, Inc. (the "Company") warrants this product to be free from defects in material and workmanship appearing within five (5) years from the date of the original purchase of the product. If such a defect appears during the warranty period, the Company will (at its sole option) either repair or replace the defective product with no charge for service or parts or refund the purchase price. The Company may require that the product be returned at the customer's expense to a location designated by Customer Service.

This warranty applies only to the initial retail purchaser and does not cover claims resulting from misuse, failure to follow instructions on installation and use, neglect, use of unauthorized attachments, commercial use, use on a current or voltage other than specified on the product, or unauthorized service during the warranty period on conditions otherwise covered by warranty.

THE DURATION OF ANY IMPLIED WARRANTIES, INCLUDING BUT NOT LIMITED TO ANY IMPLIED WARRANTIES OF MERCHANTABILITY OR FITNESS FOR A PARTICULAR PURPOSE, IS EXPRESSLY LIMITED TO THE DURATION OF THIS LIMITED WARRANTY.

UNLESS REQUIRED BY APPLICABLE LAW, THE CUSTOMER'S EXCLUSIVE REMEDY FOR BREACH OF THIS WARRANTY OR ANY IMPLIED WARRANTY OR OF ANY OTHER OBLIGATION ARISING BY OPERATION OF LAW OR OTHERWISE SHALL BE LIMITED AS SPECIFIED HEREIN TO REPAIR, REPLACEMENT OR A REFUND OF THE PURCHASE PRICE, AT THE COMPANY'S SOLE OPTION.

UNDER NO CIRCUMSTANCE WILL THE COMPANY, ITS AFFILIATES, SUBSIDIARIES, RELATED ENTITIES, RESELLERS OR THEIR RESPECTIVE OFFICERS, DIRECTORS OR EMPLOYEES OR THOSE PERSONS FOR WHOM THEY ARE BY LAW RESPONSIBLE, BE LIABLE FOR CONSEQUENTIAL OR INCIDENTAL DAMAGES SUSTAINED IN CONNECTION WITH THE PRODUCT. THE COMPANY AND THESE OTHER PARTIES DO NOT ASSUME OR AUTHORIZE ANY REPRESENTATIVE OR OTHER PERSON TO ASSUME FOR ANY OF THEM ANY OBLIGATION OR LIABILITY OTHER THAN AS IS EXPRESSLY SET FORTH HEREIN.

The duration, terms and conditions of this warranty are valid worldwide, except where different limitations, restrictions or conditions may be required by local law.