

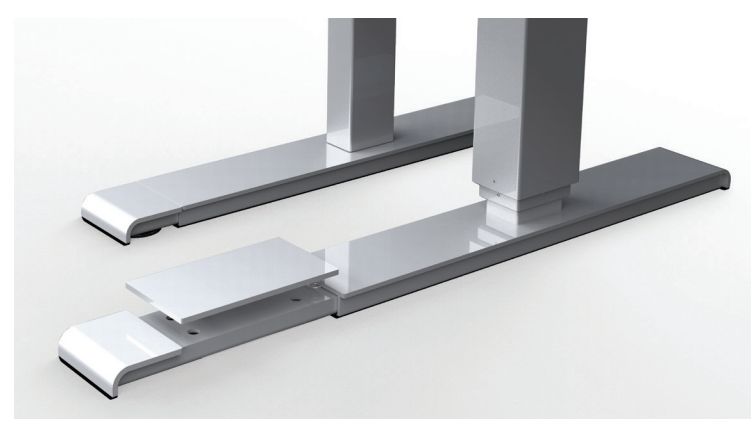
The Espree™ height adjustable table is available with four popular work surface options.

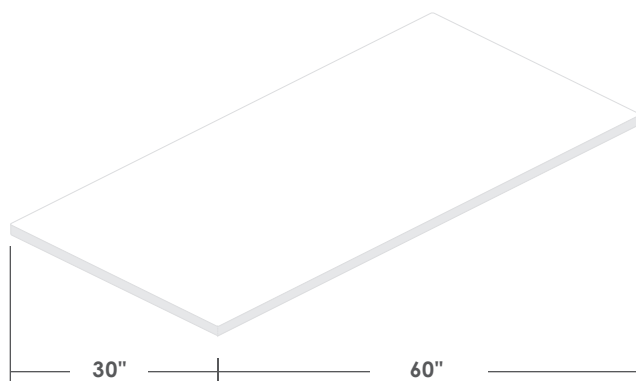
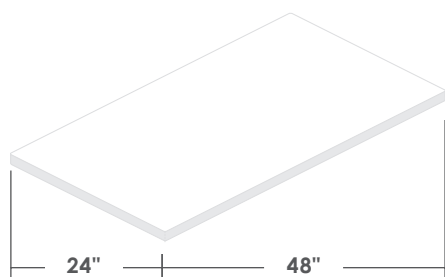


Adjustable Feet can accommodate worksurfaces 24"-36" deep via a removable plate

ESPREE™ + WORKSURFACE PNEUMATIC TABLE

- Height adjustment range: 19.6"
 - Low: 26.2" | High: 45.8"
- Adjustable feet (22" or 28" long)
- Lifting capacity (including work surface):
 - 2ESP-C48-ADJ: 38 lbs. - 83 lbs.
 - 2ESP-C60-ADJ: 49 lbs. - 94 lbs.
- Table bases accommodate work surfaces measuring 48" and 60" in width
- Counterbalanced columns provide smooth, synchronized height adjustment
- Optional casters are available

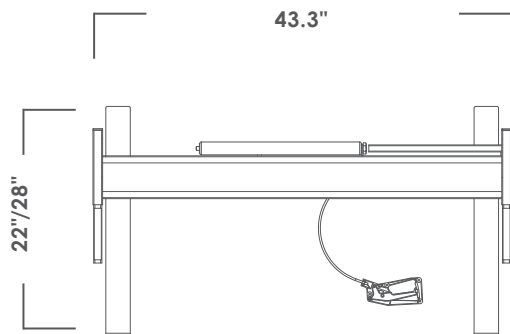




2ESP-C48-ADJ

WIDTH

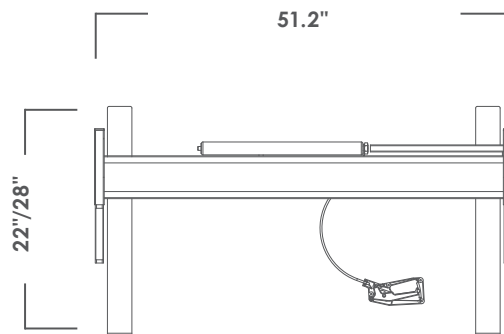
43.3"



2ESP-C60-ADJ

WIDTH

51.2"



Espre™ 2-Leg Table Ordering Guide

	DIMENSIONS		MODEL # SPECIFY LAMINATE	V29 LIST
	W	D		
RECTANGLE	48	24	2R4824-_-2ESP-C48-ADJ-SLV	\$2,097
	60	24	2R6024-_-2ESP-C60-ADJ-SLV	\$2,425
	48	30	2R4830-_-2ESP-C48-ADJ-SLV	\$2,137
	60	30	2R6030-_-2ESP-C60-ADJ-SLV	\$2,220

Specify laminate code. See laminate guide for details.

Casters

MODEL #	V29 LIST
CASTERKIT-2ESP	\$64

