

All-Flex[®] 3-leg

Electric table base

All-Flex 3-leg

Electric table base

top support at 19.3"



top support at 23.3"



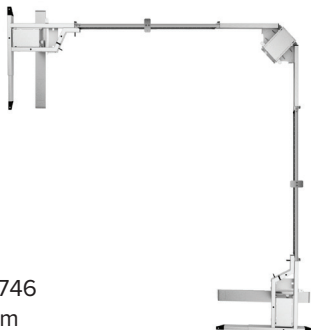
foot at 28.0"



foot at 22.0"



top views of
notched cross
channel



Product Specs

- Electric height adjustment
- 330 lbs. base lifting capacity
- 1.5"/sec adjustment speed
- One part number for all 2-leg sizes
- 26.0" height adjustment range
 - 23.2"–49.2" (low/high) (excluding worksurface)
- Three-stage adjustable legs
- Provides adjustable cross channels, top support, and feet making it one of the most adjustable table bases on the market
- Foot is adjustable to 22.0" or 28.0" (patented design)
- Adjustable width frame to fit worksurfaces 36.0"–84.0" wide
- Adjustable depth top support expands to accommodate worksurfaces 24.0"–36.0" deep
- Notched cross channel offers ample space for keyboard tray glide tracks
- 86.0" power cord
- Digital keypad with four memory settings
- Anti-collision safety feature
- Quickstart
- Crossbar includes guide markings to assist in setting width
- Folding frame design for quick assembly
- Integrated control unit shelf
- Integrated storage for foot extension plate when not in use
- Integrated cable management
- Quiet adjustment
- Steel construction
- Low standby power consumption
- Table base is UL962 listed
- Lead-free
- Two motors
- ADA compliant
- Locking casters are available
- Warranty: 15yrs. structural / 7yrs. mechanical

Available base finishes

- Silver -SLV
- Black -BLK
- White -WHT

LT=CALL FOR ON HAND AVAILABILITY



digital keypad

Caster Kit

- Set of casters for table bases
- Increases height by 2.0"
- Locking casters for security

MODEL # CASTERKIT-FLEX3 \$88



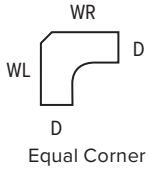
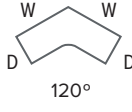
locking casters

esi

800.833.3746
esiergo.com

All-Flex 3-leg

Electric table base

Table bases		Available worksurfaces				
Table base model	List price	Worksurface shape	Worksurface dimension	TFL Quick ship	TFL Standard	HPL Standard
FLEX3-___	\$2,486	 Equal Corner	60"wl x 60"wr x 24"d	–	3EC606024-TFL-__ \$980	3EC606024-HPL-__ \$1,078
			60"wl x 60"wr x 30"d	–	3EC606030-TFL-__ \$1,000	3EC606030-HPL-__ \$1,100
FLEX3-___	\$2,486	 120°	48"w x 24"d	–	120-4824-TFL-__ \$815	120-4824-HPL-__ \$1,141
			60"w x 24"d	–	–	120-6024-HPL-__ \$1,605
			72"w x 24"d	–	–	120-7224-HPL-__ \$1,800
			48"w x 30"d	–	–	120-4830-HPL-__ \$1,295
			60"w x 30"d	–	–	120-6030-HPL-__ \$1,625
			72"w x 30"d	–	–	120-7230-HPL-__ \$1,825

Worksurface Program

Multiple worksurface shapes and laminates are available. See the Complete Table & Worksurface Ordering Guide for worksurface details including pricing and laminate colors. TFL Quick ship worksurfaces are shipped out in 48 hours, TFL and HPL Standard worksurfaces ship in 2–3 weeks.

*Table bases and worksurfaces can be purchased independently or as a combination.
ESI table bases and worksurfaces are made to exact dimensions. If nominal sizing is needed, please specify when ordering.*

esi

800.833.3746
esiergo.com

All-Flex 3-leg

Electric table base

Table bases

Available worksurfaces

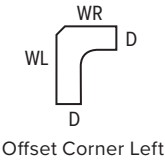
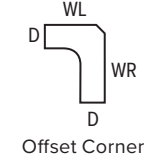
Table base model	List price	Worksurface shape	Worksurface dimension	TFL Quick ship	TFL Standard	HPL Standard
FLEX3- ____	\$2,368	 Offset Corner Left	60"wr x 48"wl x 24"d	-	3OCL604824-TFL-__ \$875	3OCL604824-HPL-__ \$963
			72"wl x 48"wr x 24"d	-	3OCL724824-TFL-__ \$955	3OCL724824-HPL-__ \$1,051
			72"wl x 60"wr x 24"d	-	3OCL726024-TFL-__ \$1,090	3OCL726024-HPL-__ \$1,199
			84"wl x 48"wr x 24"d	-	3OCL844824-TFL-__ \$1,125	3OCL844824-HPL-__ \$1,300
			84"wl x 60"wr x 24"d	-	-	3OCL846024-HPL-__ \$1,400
			60"wl x 48"wr x 30"d	-	3OCL604830-TFL-__ \$890	3OCL604830-HPL-__ \$979
			72"wl x 48"wr x 30"d	-	3OCL724830-TFL-__ \$965	3OCL724830-HPL-__ \$1,062
			72"wl x 60"wr x 30"d	-	3OCL726030-TFL-__ \$1,110	3OCL726030-HPL-__ \$1,250
			84"wl x 48"wr x 30"d	-	-	3OCL844830-HPL-__ \$1,320
			84"wl x 60"wr x 30"d	-	-	3OCL846030-HPL-__ \$1,420

Table base model	List price	Worksurface shape	Worksurface dimension	TFL Quick ship	TFL Standard	HPL Standard
FLEX3- ____	\$2,368	 Offset Corner Right	48"wl x 60"wr x 24"d	-	3OCR486024-TFL-__ \$875	3OCR486024-HPL-__ \$963
			48"wl x 72"wr x 24"d	-	3OCR487224-TFL-__ \$955	3OCR487224-HPL-__ \$1,051
			60"wl x 72"wr x 24"d	-	3OCR607224-TFL-__ \$1,090	3OCR607224-HPL-__ \$1,199
			48"wl x 84"wr x 24"d	-	3OCR488424-TFL-__ \$1,125	3OCR488424-HPL-__ \$1,300
			60"wl x 84"wr x 24"d	-	-	3OCR608424-HPL-__ \$1,400
			48"wl x 60"wr x 30"d	-	3OCR486030-TFL-__ \$890	3OCR486030-HPL-__ \$979
			48"wl x 72"wr x 30"d	-	3OCR487230-TFL-__ \$965	3OCR487230-HPL-__ \$1,062
			60"wl x 72"wr x 30"d	-	3OCR607230-TFL-__ \$1,110	3OCR607230-HPL-__ \$1,250
			48"wl x 84"wr x 30"d	-	-	3OCR488430-HPL-__ \$1,320
			60"wl x 84"wr x 30"d	-	-	3OCR608430-HPL-__ \$1,420

Worksurface Program

Multiple worksurface shapes and laminates are available. See the Complete Table & Worksurface Ordering Guide for worksurface details including pricing and laminate colors. TFL Quick ship worksurfaces are shipped out in 48 hours, TFL and HPL Standard worksurfaces ship in 2–3 weeks.

Table bases and worksurfaces can be purchased independently or as a combination.

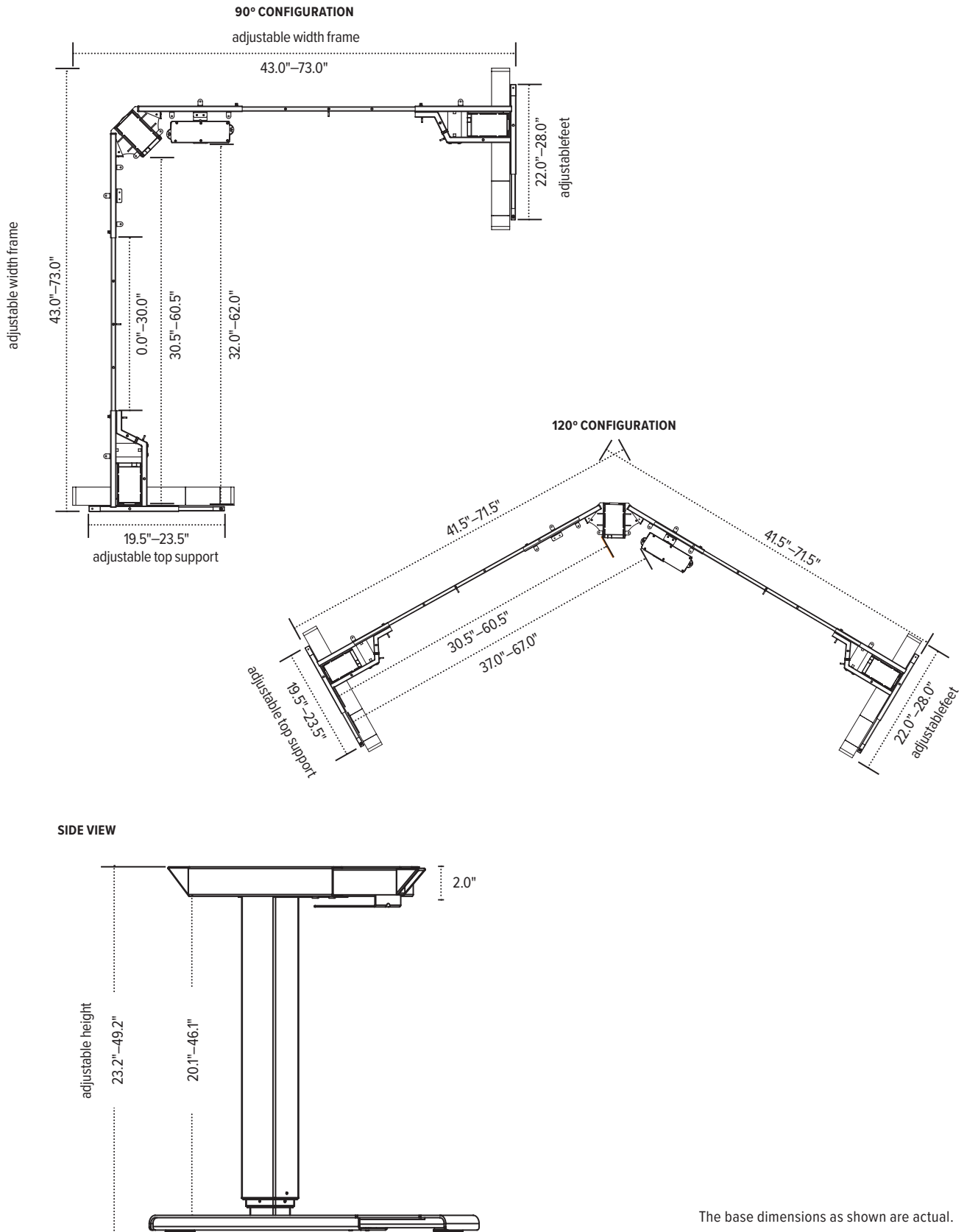
ESI table bases and worksurfaces are made to exact dimensions. If nominal sizing is needed, please specify when ordering.

esi

800.833.3746
esiergo.com

All-Flex 3-leg

Electric table base



The base dimensions as shown are actual.

esi

800.833.3746
esiergo.com