

ESI's All-Flex® height adjustable table is available with eight popular work surface options.

Adjustable Feet have a removable plate accommodates worksurfaces 24" - 36" deep



## ALL-FLEX® 2-LEG + WORKSURFACE ELECTRIC TABLE BASE

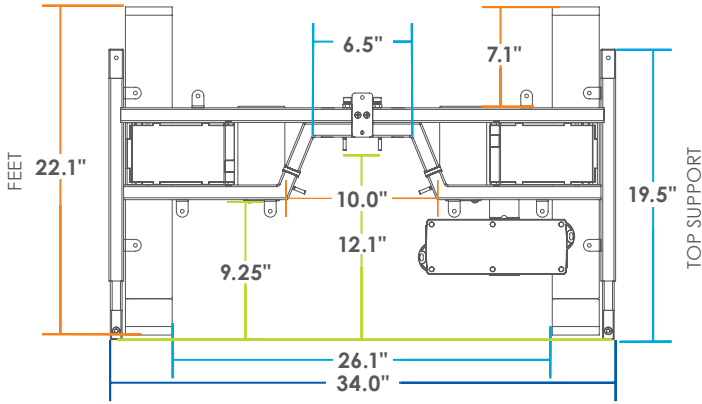
- One part number for all 2-leg sizes
- Height adjustment range: 26"
  - Low: 23.2" | High: 49.2" (excluding work surface)
- Adjusts to fit worksurfaces 36"-84" wide
- Adjustment speed: 1.5"/second
- Lifting capacity: 265 lbs. (including work surface)
- Adjustable feet: 22" or 28"
- Crossbar includes guide markings to assist in setting width
- Top support expands to more effectively accommodate worksurfaces 24"-36" deep
- Notched cross channel offers ample space for keyboard tray glide tracks
- Anti-collision safety feature
- 86" power cable
- Quick start
- Digital keypad with four memory settings
- Folding frame design for quick assembly

### ADDITIONAL FEATURES

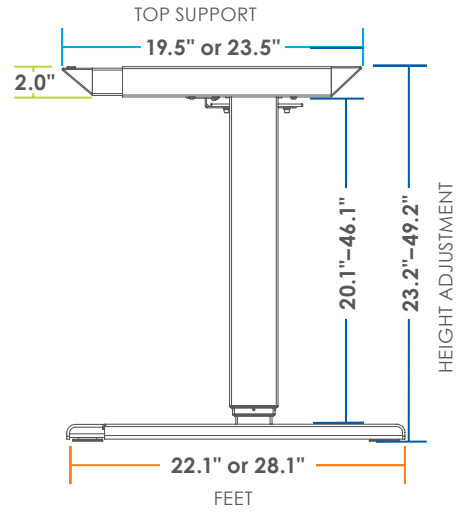
- Integrated control unit shelf
- Integrated storage for foot extension plate when not in use
- Integrated cable management
- Quiet adjustment
- Steel construction
- Low power consumption
- Lead free
- ADA compliant
- Optional casters are available



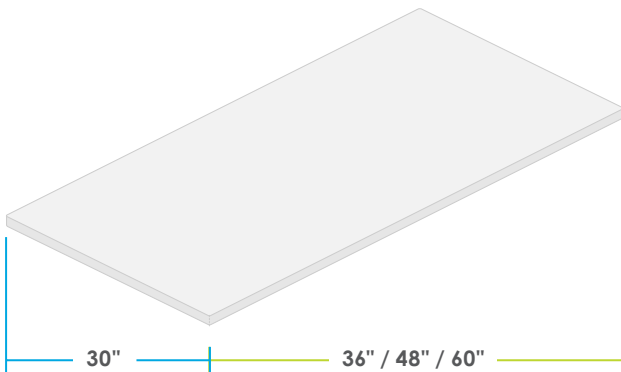
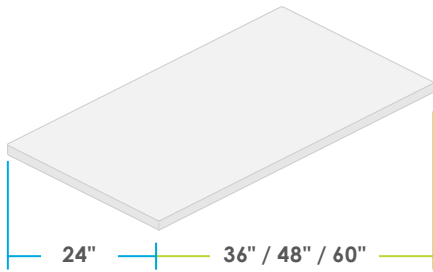
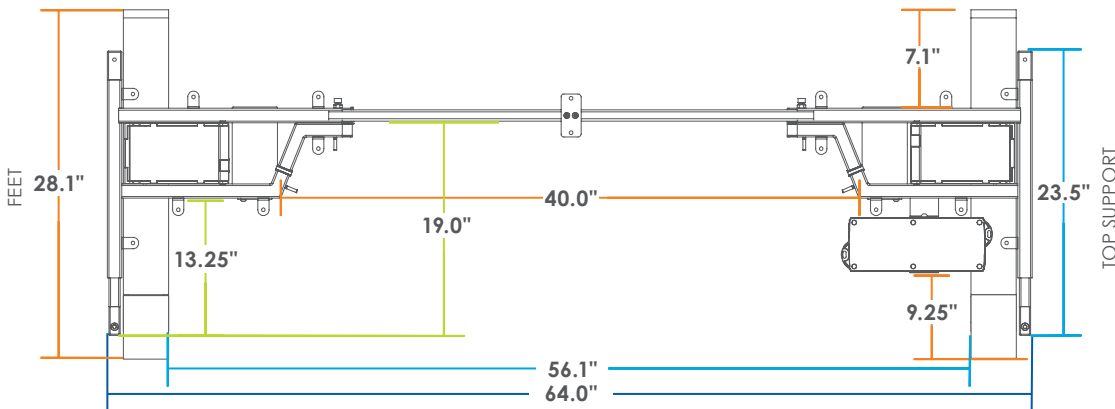
**RETRACTED**



**SIDE**



**EXPANDED**



**All-Flex® 2-Leg Table Ordering Guide**

	DIMENSIONS		MODEL # SPECIFY LAMINATE
	W	D	
RECTANGLE	36	24	2R3624-_-FLEX2-SLV
	48	24	2R4824-_-FLEX2-SLV
	60	24	2R6024-_-FLEX2-SLV
	36	30	2R3630-_-FLEX2-SLV
	48	30	2R4830-_-FLEX2-SLV
	60	30	2R6030-_-FLEX2-SLV
	72	24	2R7224-_-FLEX2-SLV
	73	30	2R7230-_-FLEX2-SLV

Specify laminate code. See laminate guide for details.

**Casters**

MODEL #

CASTERKIT-FLEX2

