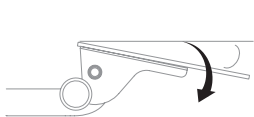
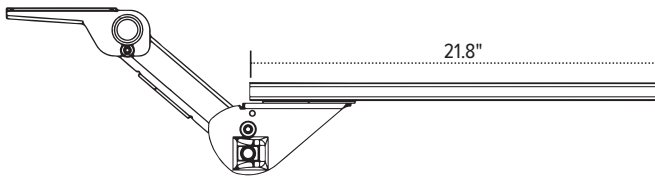
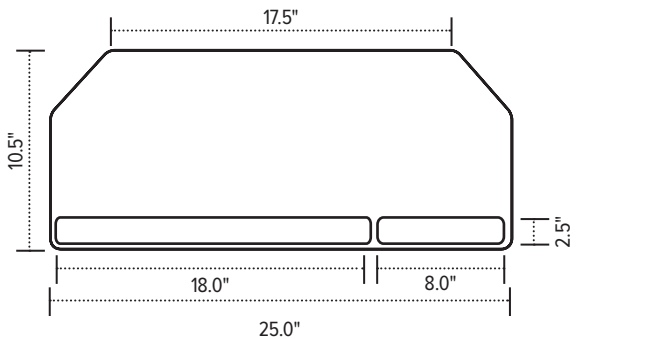
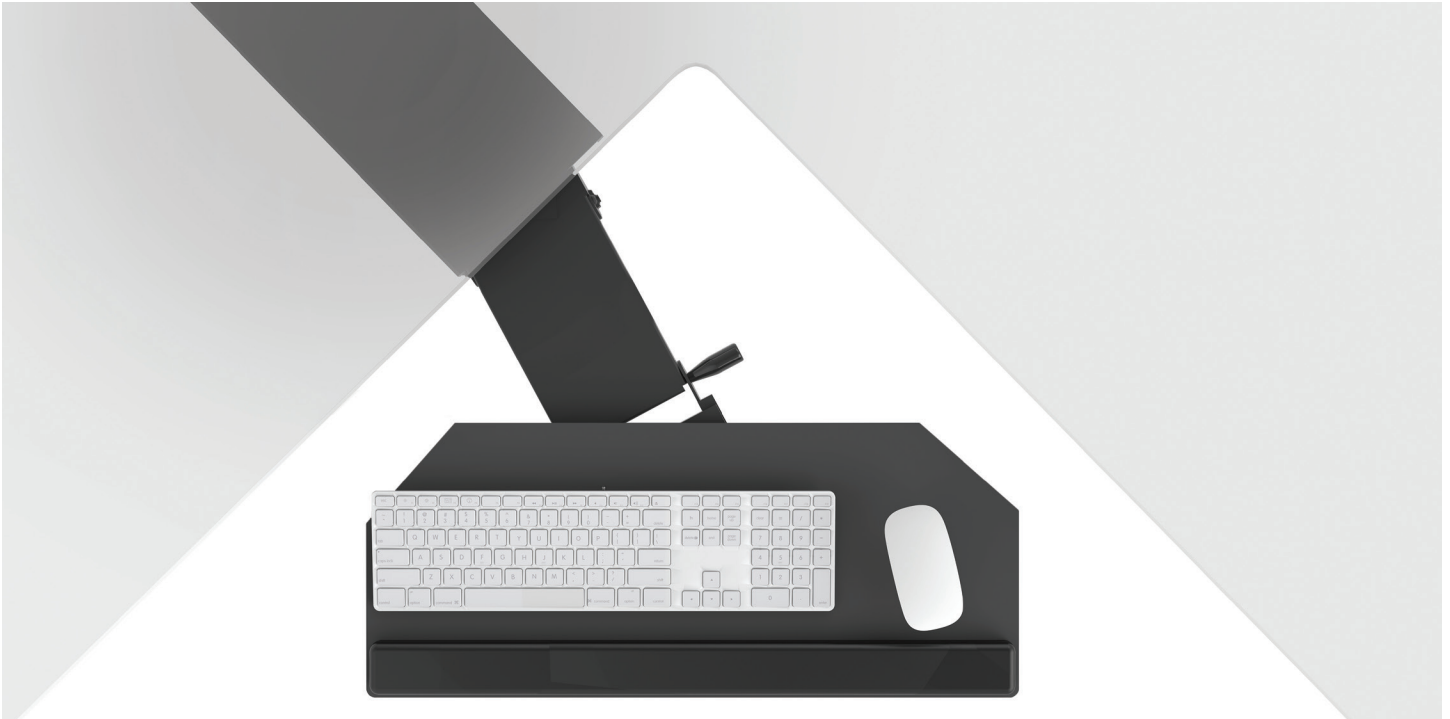


# Solution 90

keyboard platform combo

# Solution 90

keyboard platform combo



Positive tilt



Negative tilt

\*Available in R-Series as a cut corner platform only. Contact the Customer Service Department for more details. R-Series Platforms are composed of 100% post-consumer materials, making them completely recyclable. They are free of formaldehydes and carcinogens and emit no VOC's (Volatile Organic Compounds).

## Product specs

- Recommended for 90° corners worksurfaces only
- PL003CC-25 keyboard platform
- 25.0" cut corner platform
- Accommodates left or right-handed users
- AA355DS articulating arm
- Lift-and-lock height adjustment with dual swivel adjustment
- 21.8" glide track
- 22.0" clearance required for full retraction
- +10°/-15° tilt
- 9.3" height adjustment range
  - 3.4" above track | 5.9" below track
- 360° rotation
- Positions flush with worksurface
- Warranty:
  - 15 yr. articulating arm/platform
  - 2 yr. palm rest/mouse pad



## Model #

SOLUTION90

## List price

\$629

esi

800.833.3746

esiergo.com