

Top Edge Clamp Mount Screens

INSTALLATION INSTRUCTIONS

NOTE: Inspect the contents of the box for shipping/ handling damage. Make sure you have all the parts before proceeding.

ASSEMBLY TOOLS REQUIRED:

4mm Hex Wrench

PARTS INCLUDED:

Item	Description
1	Top Edge Clamp
2	Acrylic Screen

INSTALLATION INSTRUCTIONS:

1. Remove the backer sheet from the two large foam pads and stick one to each inside face of the Clamp. (FIG 1) Using a 4mm Hex Wrench insert the two Bolts connecting the two side of the Clamp together. Do not tighten the bolts at this point.
2. Place the Clamps on to the edge of the Worksurface. Insert and tighten the Thumb Screw until snug against the under side of the worksurface. The Clamps should be located approximately 6 inches from each end of the Screen. (FIG 2)

NOTE: Screens with a width of 24 to 54 inches require two Clamps. Screens with widths 60 to 72 inches require three Clamps.

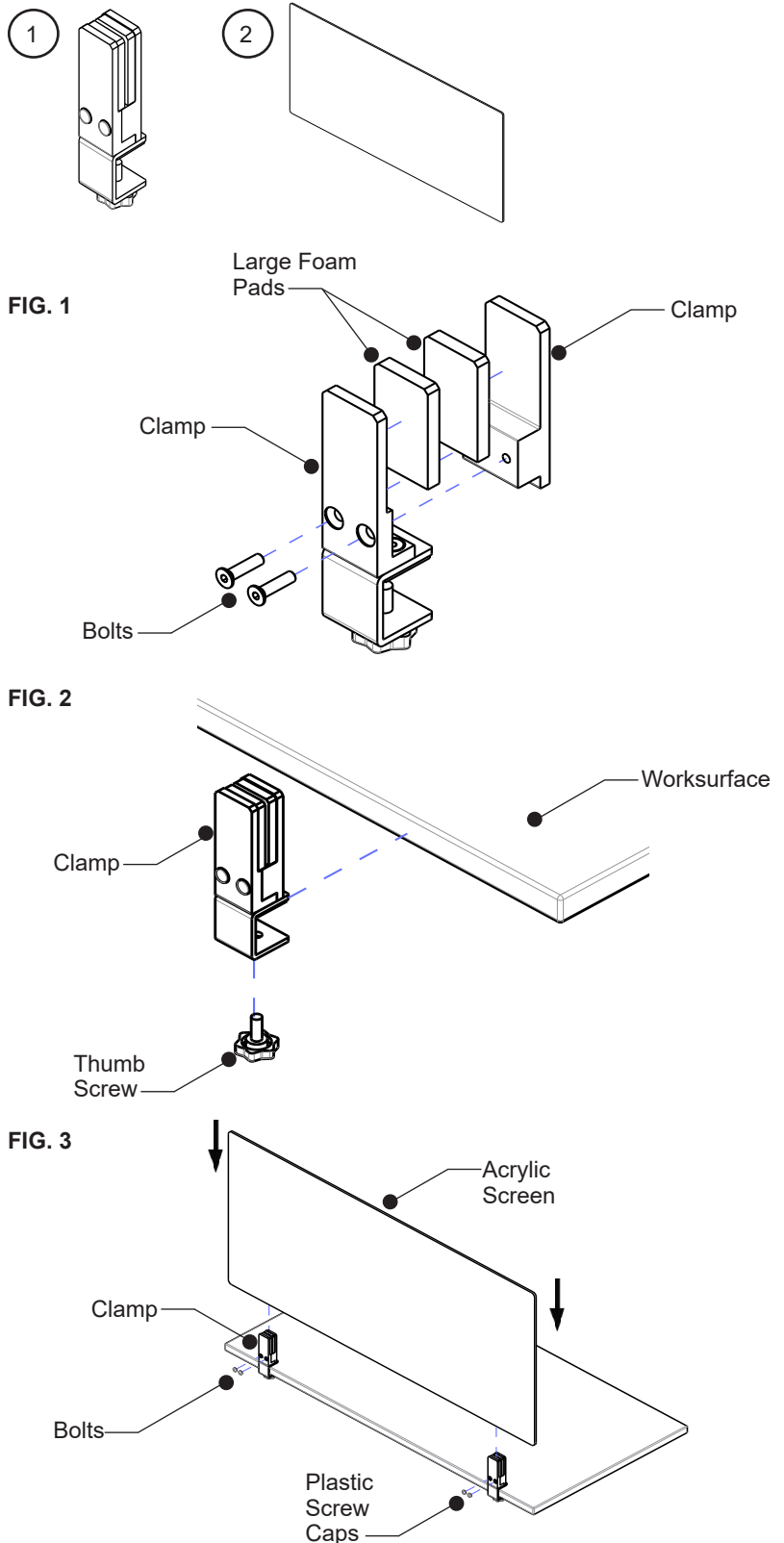
3. Slide the Acrylic Screen down in to the Clamps. Use the 4mm Hex Wrench to fully tighten the bolts. Place plastic screw caps on to the head of the bolts. (FIG 3)

CLEANING INSTRUCTION FOR ACRYLIC SCREENS:

FIRST TIME SETUP: Do not attempt to clean immediately after removing the protective paper because the static electricity will attract dust and particles. Wait a day for the static to dissipate before cleaning.

Step 1

Begin by removing excess dust or dirt from the surface of the acrylic with an air hose or blow dryer set to its coolest setting (never heat acrylic). Hold the blow dryer at a 45-degree angle several inches away from the acrylic and run side-to-side down the surface. Wipe any remaining dust with a soft, lint-free cotton microfiber cloth.



Step 2

Once excess grime has been blown away, spray a nonabrasive acrylic cleaner, such as Brilliantize or Novus No. 1 onto a two- or three-foot-square section of Acrylic. (For an on-hand alternative, a solution of mild dish soap and water works well too.) Never use abrasive cleaners or anything containing Ammonia such as Formula 409®, Windex® or Fantastik®. Ammonia will cause your Acrylic to get cloudy and you can't reverse the effects. Bleach solutions and disinfectants are not recommended and can cause damage to the acrylic.

Step 3

Once the cleaner has been applied, use a soft, lint-free cotton microfiber cloth to gently wipe the surface down, again being careful to make contact only with the portion of the surface that already has cleaner on it. Continue applying the cleaner and wiping it off in small sections until you've finished the entire surface. Do not use a paper towel to clean Acrylic because it can cause scratching.