



Triumph-LX™

electric table base

Triumph-LX

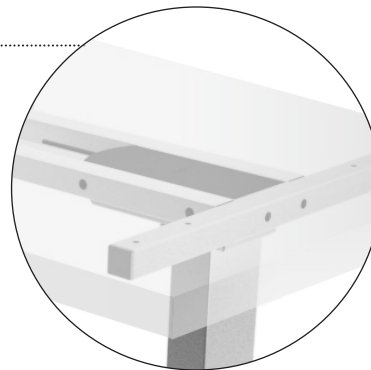
electric table base



drawers easily slide over feet



locking casters



two motors

Product specs

- Electric height adjustment
- 220 lbs. base lifting capacity
- 1.4"/sec. adjustment speed
- 17.3" height adjustment range
 - 26.1"–43.4"(low/high)
(excluding worksurface)
- Two stage adjustable legs
- Adjustable width frame
- Two motors
- Soft start
- Anti-collision safety feature
- Locking casters are available
- ADA compliant
- Steel frame and foot construction
- Low standby power consumption
- Exceeds BIFMA x5.5 requirements
- Warranty: 15 yrs. (structural) / 7 yrs. (mechanical)

Digital Keypad

- Digital programmable switch with three memory settings
- Keypad can slide under worksurface to store out of the way



esi

800.833.3746
esiergo.com

Triumph-LX

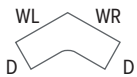
electric table base

Rectangle



Dimensions	Base model	Surface model
36"w x 24"d	2T-LX-C28-24-___	2R3624__
42"w x 24"d	2T-LX-C28-24-___	2R4224__
48"w x 24"d	2T-LX-C28-24-___	2R4824__
60"w x 24"d	2T-LX-C40-24-___	2R6024__
72"w x 24"d	2T-LX-C40-24-___	2R7224__
84"w x 24"d	2T-LX-C40-24-___	2R8424__
36"w x 30"d	2T-LX-C28-30-___	2R3630__
42"w x 30"d	2T-LX-C28-30-___	2R4230__
48"w x 30"d	2T-LX-C28-30-___	2R4830__
60"w x 30"d	2T-LX-C40-30-___	2R6030__
72"w x 30"d	2T-LX-C40-30-___	2R7230__
84"w x 30"d	2T-LX-C40-30-___	2R8430__

120°



Dimensions	Base model	Surface model
48"wl x 48"wr x 24"d	2T-LX-C40-24-___	120-4824__
48"wl x 48"wr x 30"d	2T-LX-C40-30-___	120-4830__

D-top



Dimensions	Base model	Surface model
60"w x 30"d	2T-LX-C40-30-___	D6030__
72"w x 30"d	2T-LX-C40-30-___	D7230__

Small equal corner



Dimensions	Base model	Surface model
42"wl x 42"wr x 24"d	2T-LX-C28-24-___	2EC424224__
48"wl x 48"wr x 24"d	2T-LX-C28-24-___	2EC484824__

Table bases can be purchased independently or combined with a worksurface. Worksurfaces can only be purchased with a table base. See our worksurface ordering guide for details. ESI worksurfaces are made to exact dimensions. If nominal sizing is needed, please specify when ordering.

Caster Kit

- Set of caster wheels for table bases
- Increases height by 2.0"
- Locking wheels for security

MODEL # CASTERKIT-LX-2LEG

Available base finishes

- Silver -SLV
- Black -BLK
- White -WHT

Worksurface shapes - LT

Multiple worksurface shapes are available. See chart to the left for full list. Worksurfaces can be come in a variety of laminates.

Edge Detail

Worksurfaces ship with a standard square profile edge and coordinating 3mm edge band. Additional edge detail profiles are available at an additional cost.



esi

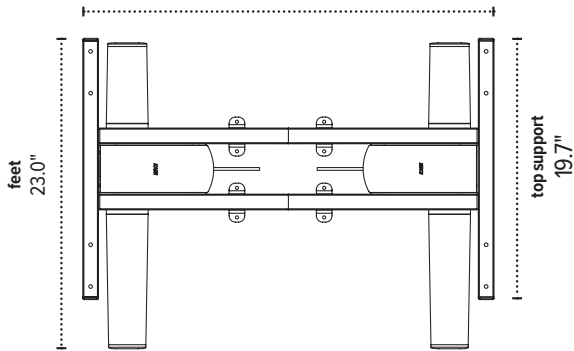
800.833.3746
esiergo.com

Triumph-LX

electric table base

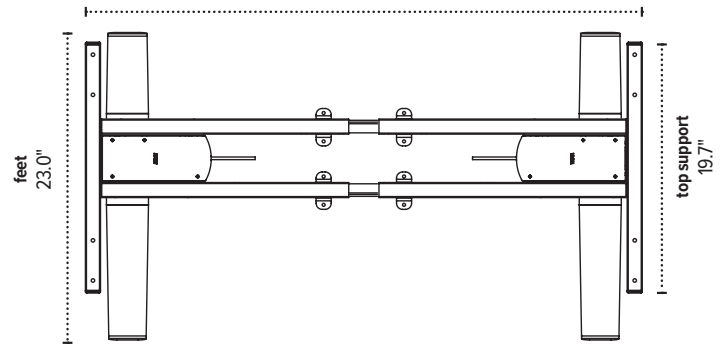
2T-LX-C28-24

adjustable width
30.8"–47.0"



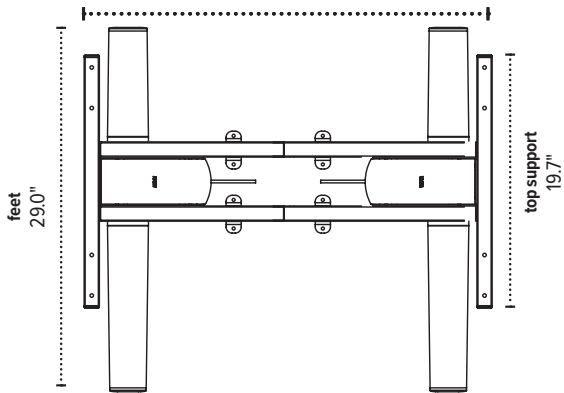
2T-LX-C40-24

adjustable width
42.7"–71.0"



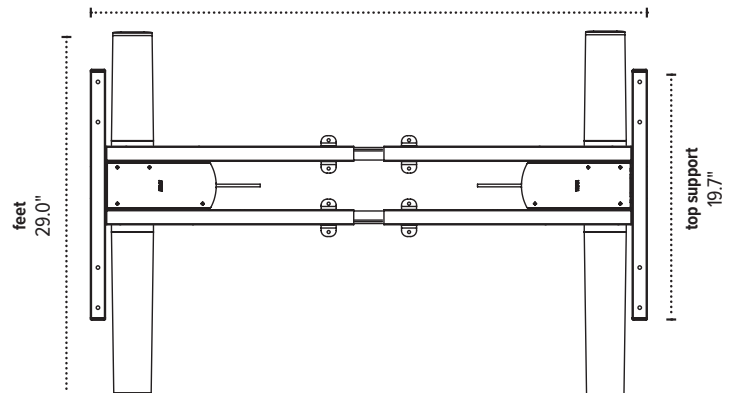
2T-LX-C28-30

adjustable width
30.8"–47.0"



2T-LX-C40-30

adjustable width
42.7"–71.0"



The base dimensions as shown are actual.

esi

800.833.3746
esiergo.com

© 2019 Fellowes, Inc.