

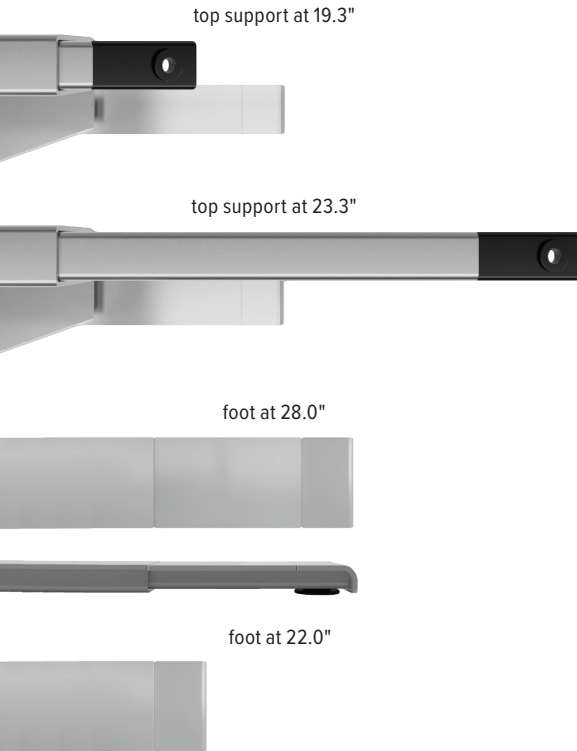
All-Flex[®] 2-leg + Conceal

electric table base

All-Flex 2-leg + Conceal

electric table base

All-Flex features



Conceal



All-Flex® 2-leg specs

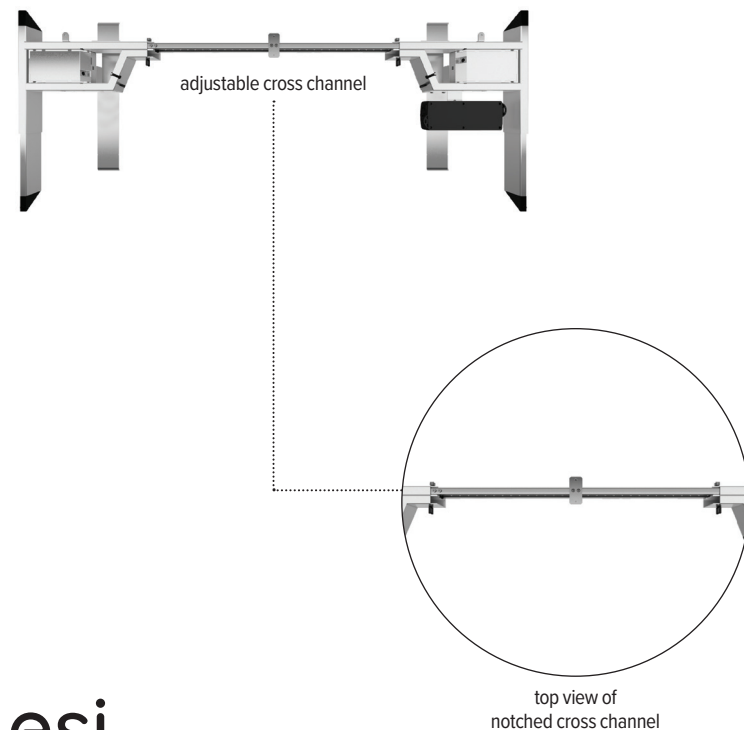
- Electric height adjustment
- 265 lbs. base lifting capacity
- 1.5"/sec adjustment speed
- One part number for all 2-leg sizes
- 26.0" height adjustment range
 - 23.2"–49.2" (low/high)
 - (excluding worksurface)
- Three-stage adjustable legs
- Provides adjustable cross channels, top support, and feet making it one of the most adjustable table bases on the market.
- Foot is adjustable to 22.0" or 28.0" (patented design)
- Adjustable width frame to fit worksurfaces 36.0"–84.0" wide
- Adjustable depth top support expands to accommodate worksurfaces 24.0"–36.0" deep
- Notched cross channel offers ample space for keyboard tray glide tracks
- 86.0" power cord
- Digital keypad with four memory settings
- Anti-collision safety feature
- Quick start
- Crossbar includes guide markings to assist in setting width
- Folding frame design for quick assembly
- Integrated control unit shelf
- Integrated storage for foot extension plate when not in use
- Integrated cable management
- Quiet adjustment
- Steel construction
- Low standby power consumption
- Lead free
- Two motors
- ADA compliant
- Locking casters are available
- Warranty: 15 yrs. structural / 7 yrs. mechanical

Conceal specs

- 53.5" total height
- 23 links
- Links are detachable
- Weighted bottom
- Attaches to bottom of worksurface
- Warranty: 15 yrs.

Model

- FLEX2-CNCL-GRY
- FLEX2-CNCL-BLK
- FLEX2-CNCL-WHT



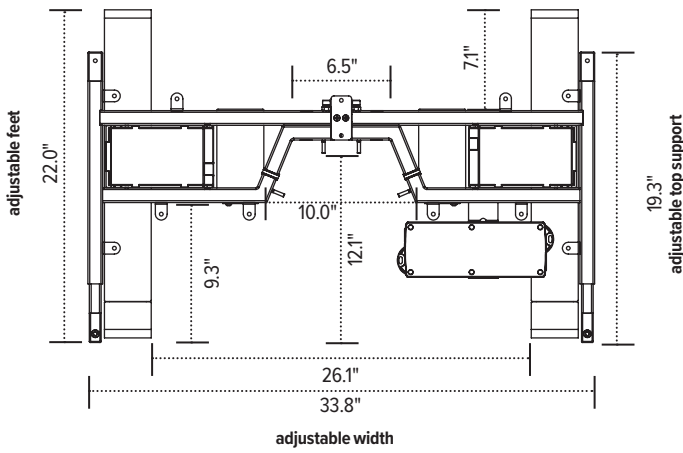
esi

800.833.3746
esiergo.com

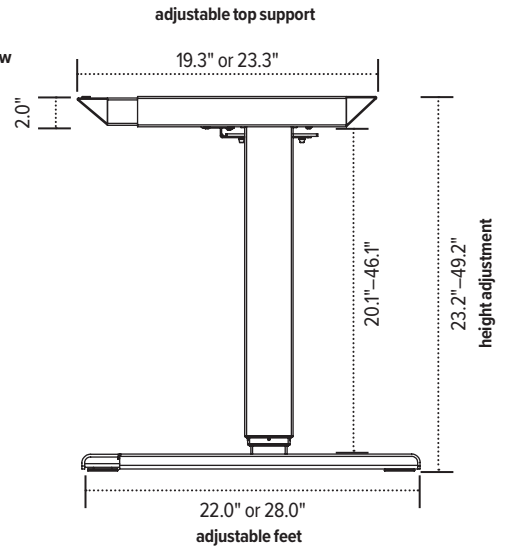
All-Flex 2-leg + Conceal

electric table base

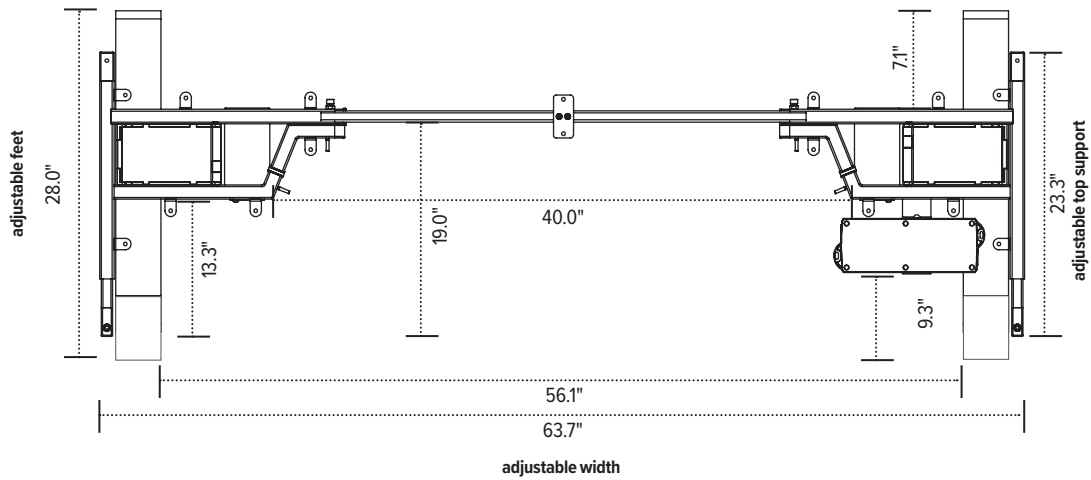
Retracted aerial view



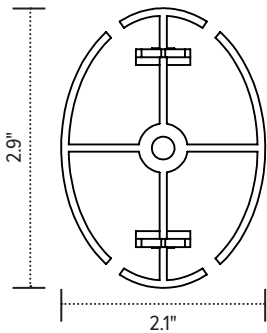
Side view



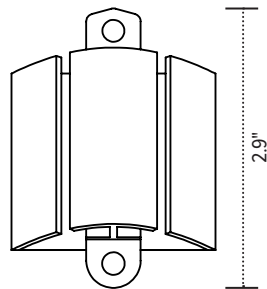
Expanded aerial view



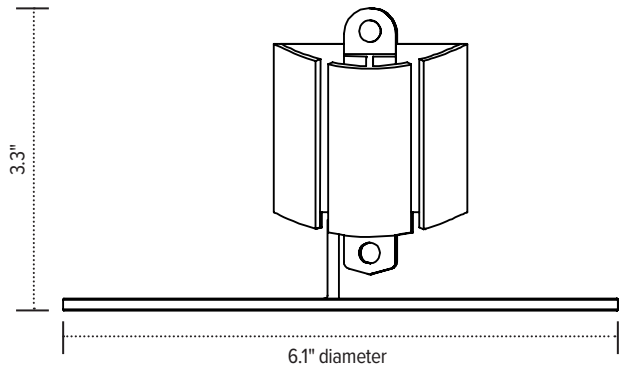
Link aerial view



Link profile view



Base profile view



esi

800.833.3746
esiergo.com

The base dimensions as shown are actual.

© 2019 Fellowes, Inc. V32 catalog pricing.