



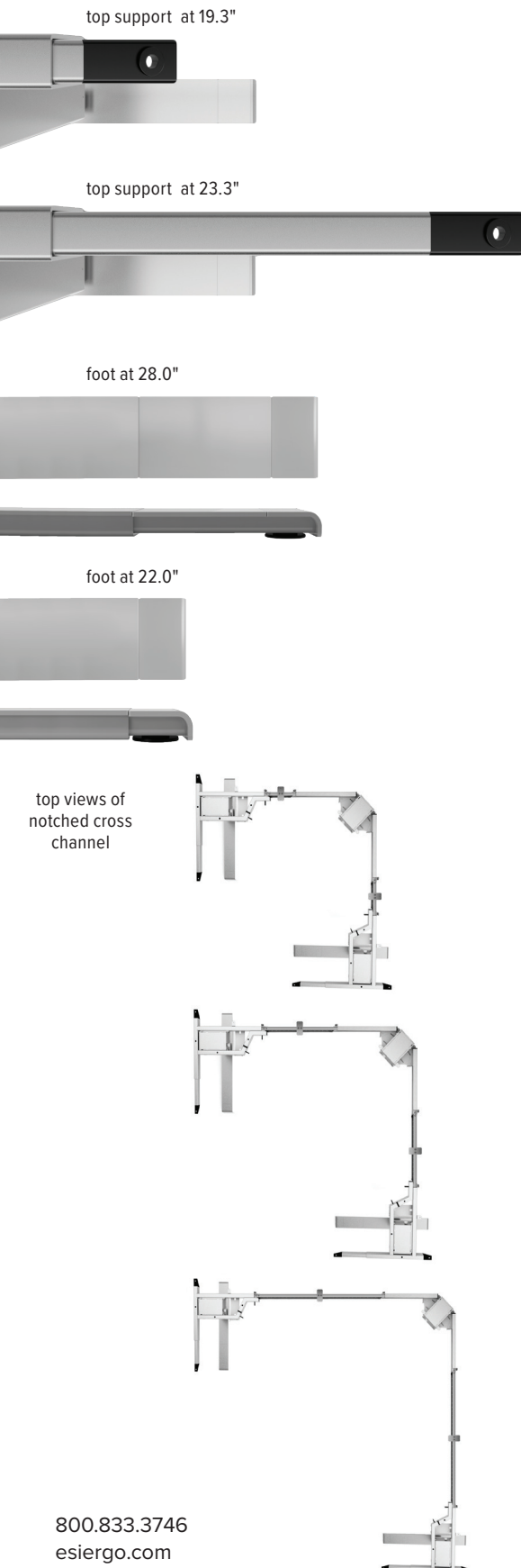
All-Flex 3-leg

Electric height adjustable table base



All-Flex 3-leg

Electric height adjustable table base



Product specs

- Electric height adjustment
- 330 lb. base lifting capacity
- 1.5"/sec adjustment speed
- One part number for all 3-leg sizes
- 26.0" height adjustment range
- 23.3"–49.3" (low/high) *(excluding worksurface)*
- Three-stage adjustable legs
- C-leg
- Provides adjustable cross channels, top support, and feet making it one of the most adjustable table bases on the market
- Foot is adjustable to 22.0" or 28.0" *(patented design)*
- Adjustable width frame accommodates worksurfaces 36.0"–84.0" wide
- Adjustable depth top support expands to accommodate worksurfaces 24.0"–36.0" deep
- Notched cross channel offers ample space for keyboard tray glide tracks
- 7'2" power cord
- Digital keypad with four memory settings
- Anti-collision safety feature
- Soft start and stop
- Crossbar includes guide markings to assist in setting width
- Leg columns fold out for easy assembly
- Integrated control unit shelf
- Integrated storage for foot extension plate when not in use
- Integrated cable management
- Steel construction
- Low standby power consumption
- Table base is UL962 listed
- Three motors
- ADA compliant
- Locking casters are available
- Meets or exceeds BIFMA x5.5 guidelines
- Complete tables available *(base and top)*
- Warranty: 15 yr. *(structural)*/7 yr. *(mechanical)*
- GSA

Available base finishes

- Silver -SLV
- Black -BLK
- White -WHT



digital keypad

Caster Kit

- Set of four casters for table base
- Increases height by 2.0"
- Locking casters for security

MODEL # CASTERKIT-FLEX3 \$93



locking casters

800.833.3746
esi ergo.com

Fellowes Brands. FAMILY BUSINESS SINCE 1917

© 2021 Fellowes, Inc. V34 catalog prices. All prices are in U.S. dollars.

All-Flex 3-leg

Electric height adjustable table base



Table bases		Available worksurfaces					
Table base model	List price	Worksurface shape	Worksurface dimension	TFL standard		HPL standard	HPL premium
				Quick ship	Standard ship	Standard ship	Standard ship
FLEX3- _ _ _ _	\$2,561	 Equal Corner	60"wl x 60"wr x 24"d	–	3EC606024-TFL-__ \$1,009	3EC606024-HPL-__ \$1,110	3EC606024-PHPL-__ \$1,210
			72"wl x 72"wr x 24"d	–	3EC727224-TFL-__* \$1,453	3EC727224-HPL-__* \$1,854	3EC727224-PHPL-__* \$2,021
			60"wl x 60"wr x 30"d	–	3EC606030-TFL-__ \$1,030	3EC606030-HPL-__ \$1,133	3EC606030-PHPL-__ \$1,235
			72"wl x 72"wr x 30"d	–	3EC727230-TFL-__* \$1,464	3EC727230-HPL-__* \$2,215	3EC727230-PHPL-__* \$2,414
FLEX3- _ _ _ _	\$2,561	 120°	48"w x 24"d	–	120-4824-TFL-__ \$839	120-4824-HPL-__ \$1,175	120-4824-PHPL-__ \$1,281
			60"w x 24"d	–	–	120-6024-HPL-__ \$1,653	120-6024-PHPL-__ \$1,801
			72"w x 24"d	–	–	120-7224-HPL-__* \$1,854	120-7224-PHPL-__* \$2,021
			48"w x 30"d	–	–	120-4830-HPL-__ \$1,334	120-4830-PHPL-__ \$1,454
			60"w x 30"d	–	–	120-6030-HPL-__ \$1,674	120-6030-PHPL-__ \$1,824
			72"w x 30"d	–	–	120-7230-HPL-__* \$1,880	120-7230-PHPL-__* \$2,049

*Equal Corner worksurfaces measuring 72x72x24 and 72x72x30 will ship in 2 pieces. 120-degree worksurfaces measuring 72x24 and 72x30 will ship in 3 pieces and include joining brackets.

Worksurface Program

Multiple worksurface shapes and laminates are available. See the Complete Table & Worksurface Ordering Guide for worksurface details including pricing and laminate colors. TFL quick ship worksurfaces are shipped out in 48 hours, TFL standard and HPL standard/premium worksurfaces ship within three weeks. Lead time may vary depending on quantities ordered and their availability.

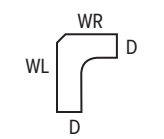
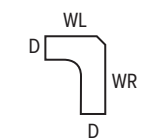
Table bases and worksurfaces can be purchased independently or as a combination.

ESI worksurfaces are made to exact dimensions. If nominal sizing is needed, please specify when ordering.

All-Flex 3-leg

Electric height adjustable table base



Table bases		Available worksurfaces								
Table base model	List price	Worksurface shape	Worksurface dimension	TFL standard	HPL standard	HPL premium				
				Quick ship	Standard ship	Standard ship	Standard ship			
FLEX3- ___	\$2,561	 Offset Corner Left	60"wr x 48"wl x 24"d	-	3OCL604824-TFL-___ \$901	3OCL604824-HPL-___ \$992	3OCL604824-PHPL-___ \$1,082			
			72"wl x 48"wr x 24"d	-	3OCL724824-TFL-___ \$984	3OCL724824-HPL-___ \$1,083	3OCL724824-PHPL-___ \$1,180			
			72"wl x 60"wr x 24"d	-	3OCL726024-TFL-___ \$1,123	3OCL726024-HPL-___ \$1,235	3OCL726024-PHPL-___ \$1,346			
			84"wl x 48"wr x 24"d	-	3OCL844824-TFL-___ \$1,159	3OCL844824-HPL-___ \$1,339	3OCL844824-PHPL-___ \$1,460			
			84"wl x 60"wr x 24"d	-	-	3OCL846024-HPL-___ \$1,442	3OCL846024-PHPL-___ \$1,572			
			60"wl x 48"wr x 30"d	-	3OCL604830-TFL-___ \$917	3OCL604830-HPL-___ \$1,008	3OCL604830-PHPL-___ \$1,009			
			72"wl x 48"wr x 30"d	-	3OCL724830-TFL-___ \$994	3OCL724830-HPL-___ \$1,094	3OCL724830-PHPL-___ \$1,193			
			72"wl x 60"wr x 30"d	-	3OCL726030-TFL-___ \$1,143	3OCL726030-HPL-___ \$1,288	3OCL726030-PHPL-___ \$1,404			
			84"wl x 48"wr x 30"d	-	-	3OCL844830-HPL-___ \$1,360	3OCL844830-PHPL-___ \$1,482			
			84"wl x 60"wr x 30"d	-	-	3OCL846030-HPL-___ \$1,463	3OCL846030-PHPL-___ \$1,594			
			<hr/>							
			FLEX3- ___	\$2,561	 Offset Corner Right	48"wl x 60"wr x 24"d	-	3OCR486024-TFL-___ \$901	3OCR486024-HPL-___ \$992	3OCR486024-PHPL-___ \$1,082
						48"wl x 72"wr x 24"d	-	3OCR487224-TFL-___ \$984	3OCR487224-HPL-___ \$1,083	3OCR487224-PHPL-___ \$1,180
						60"wl x 72"wr x 24"d	-	3OCR607224-TFL-___ \$1,123	3OCR607224-HPL-___ \$1,235	3OCR607224-PHPL-___ \$1,346
48"wl x 84"wr x 24"d	-	3OCR488424-TFL-___ \$1,159				3OCR488424-HPL-___ \$1,339	3OCR488424-PHPL-___ \$1,460			
60"wl x 84"wr x 24"d	-	-				3OCR608424-HPL-___ \$1,442	3OCR608424-PHPL-___ \$1,572			
48"wl x 60"wr x 30"d	-	3OCR486030-TFL-___ \$917				3OCR486030-HPL-___ \$1,008	3OCR486030-PHPL-___ \$1,099			
48"wl x 72"wr x 30"d	-	3OCR487230-TFL-___ \$994				3OCR487230-HPL-___ \$1,094	3OCR487230-PHPL-___ \$1,193			
60"wl x 72"wr x 30"d	-	3OCR607230-TFL-___ \$1,143				3OCR607230-HPL-___ \$1,288	3OCR607230-PHPL-___ \$1,404			
48"wl x 84"wr x 30"d	-	-				3OCR488430-HPL-___ \$1,360	3OCR488430-PHPL-___ \$1,482			
60"wl x 84"wr x 30"d	-	-				3OCR608430-HPL-___ \$1,463	3OCR608430-PHPL-___ \$1,594			

Worksurface Program

Multiple worksurface shapes and laminates are available. See the Complete Table & Worksurface Ordering Guide for worksurface details including pricing and laminate colors. TFL quick ship worksurfaces are shipped out in 48 hours, TFL standard and HPL standard/premium worksurfaces ship within three weeks. Lead time may vary depending on quantities ordered and their availability.

Table bases and worksurfaces can be purchased independently or as a combination.

ESI worksurfaces are made to exact dimensions. If nominal sizing is needed, please specify when ordering.

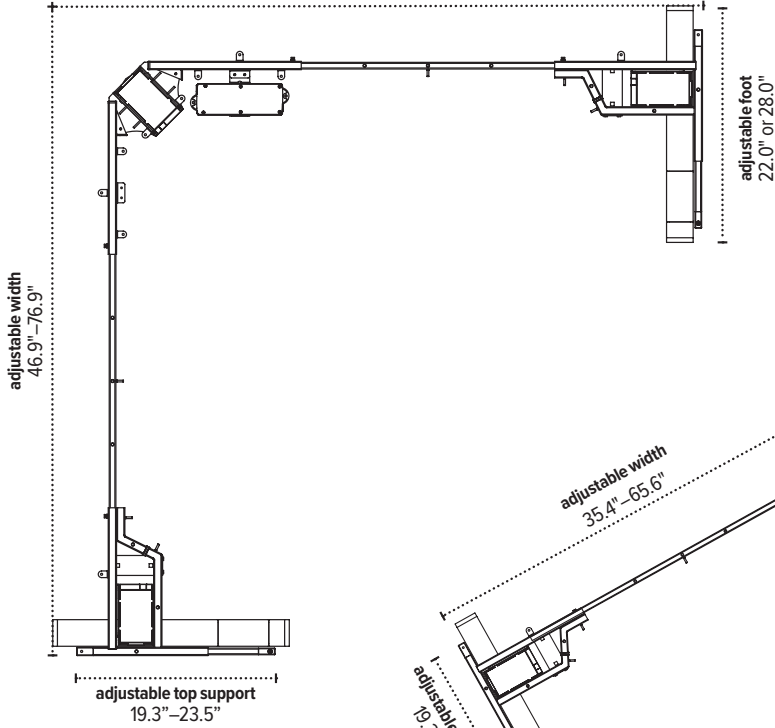
All-Flex 3-leg

Electric height adjustable table base

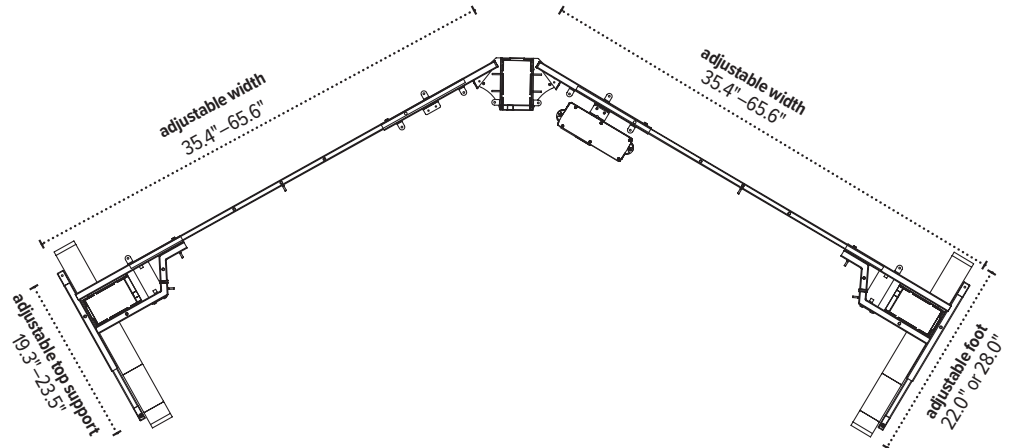


FLEX3-___
90° configuration

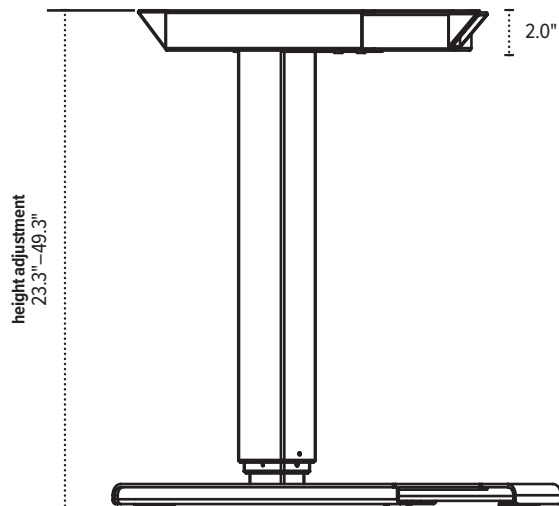
adjustable width
46.9"–76.9"



FLEX3-___
120° configuration



FLEX3-___
Side view



The base dimensions as shown are actual.