



Enmo™

Electric height adjustable table base

Enmo

Electric height adjustable table base



T-leg



keypad



locking casters

Product specs

- Electric height adjustment
- 220 lb. base lifting capacity
- 1.3"/sec. adjustment speed
- 17.4" height adjustment range
- 27.4"–44.8"(low/high) (*excluding worksurface*)
- Two stage adjustable legs
- T-leg
- Adjustable width frame accommodates worksurfaces 48.0"–72.0"
- Keypad with up and down buttons
- Two motors
- Soft start and stop
- Anti-collision safety feature
- Table base is UL962 listed
- Locking casters are available
- 7.0' power cord
- Steel frame and foot construction
- Works with peds or storage with 24.5" max. height
- Low standby power consumption
- Meets or exceeds BIFMA x5.5 guidelines
- Complete tables available (*base and top*)
- Warranty: 15 yr. (*structural*)/7 yr. (*mechanical*)

Available base finishes

- Silver -SLV
- Black -BLK
- White -WHT

Caster Kit

- Set of four casters for table base
- Increases height by 2.0"
- Locking casters for security

Model # CASTERKIT-2NM

Enmo

Electric height adjustable table base



Complete quick ship table model # breakdown

2NM__-R4824-QS-T__
| | | | | | | | | |
a b c d e f g h i

- a: number of legs
- b: type of table base
- c: finish of base
- d: worksurface shape
- e: worksurface width
- f: worksurface depth
- g: quick ship indicator
- h: laminate material
- i: laminate color

48.0" x 24.0" quick ship complete table

- Enmo 2-leg table base with a 48.0"w x 24.0"d rectangle TFL worksurface

MODEL # 2NM__-R4824-QS-T__

60.0" x 30.0" quick ship complete table

- Enmo 2-leg table base with a 60.0"w x 30.0"d rectangle TFL worksurface

MODEL # 2NM__-R6030-QS-T__

■ base finish notation

■ laminate color notation

Available base finishes

Silver -S

Black -B

White -W

Available TFL quick ship laminates

Beigewood -BG

Phantom Charcoal -PC

Shadow Oak -SO

Designer White -DW

Grey -GR

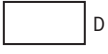
Dove Grey -DV

Enmo table

Quick ship complete table options include: silver, black, or white table bases; 48.0"w x 24.0"d or 60.0"w x 30.0"d rectangle worksurfaces; all six TFL laminates. Quick ship worksurfaces will be pre-drilled to accommodate the Enmo table base. For all other combinations, please call our Customer Service Department for the estimated lead time and cost.

Multiple worksurface shapes and laminates are available. See Complete Table and Worksurface Guide for worksurface details including laminate colors.

Electric height adjustable table base

| Table bases | | Available worksurfaces | | | | |
|------------------|--|------------------------|------------------|---------------|---------------|----------------|
| Table base model | Worksurface shape | Worksurface dimension | TFL standard | | HPL standard | HPL premium |
| | | | Quick ship | Standard ship | Standard ship | Standard ship |
| 2NM-C48-____ |  Rectangle | 48"w x 24"d | 2R4824-QS-TFL-__ | 2R4824-TFL-__ | 2R4824-HPL-__ | 2R4824-PHPL-__ |
| | | 60"w x 24"d | - | 2R6024-TFL-__ | 2R6024-HPL-__ | 2R6024-PHPL-__ |
| | | 72"w x 24"d | - | 2R7224-TFL-__ | 2R7224-HPL-__ | 2R7224-PHPL-__ |
| | | 48"w x 24"d | - | 2R4830-TFL-__ | 2R4830-HPL-__ | 2R4830-PHPL-__ |
| | | 60"w x 24"d | 2R6030-QS-TFL-__ | 2R6030-TFL-__ | 2R6030-HPL-__ | 2R6030-PHPL-__ |
| | | 72"w x 24"d | - | 2R7230-TFL-__ | 2R7230-HPL-__ | 2R7230-PHPL-__ |

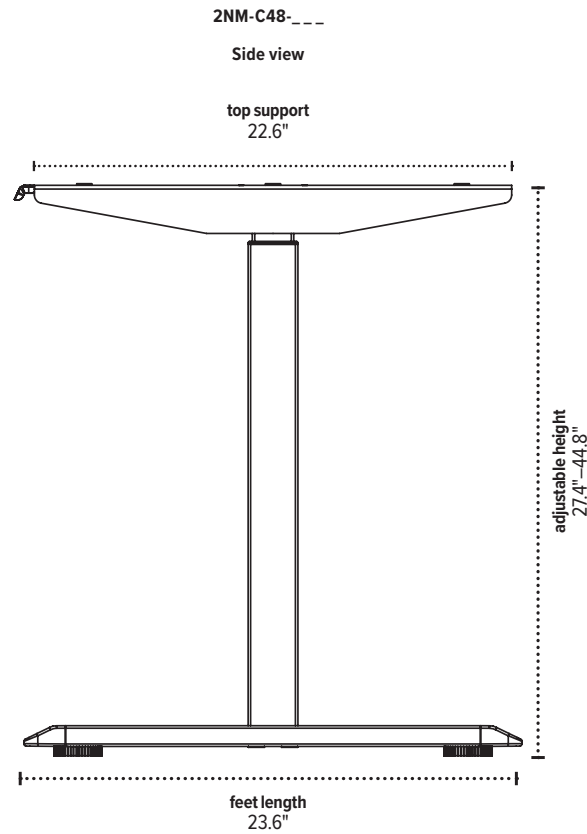
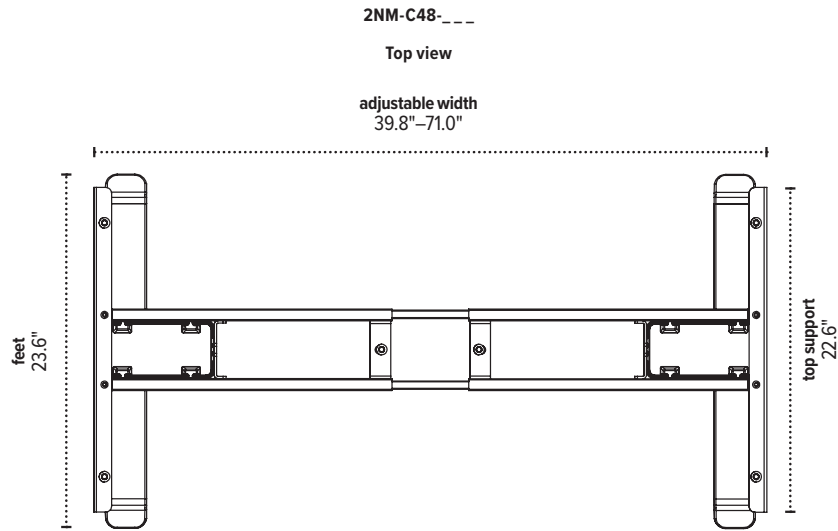
Worksurface Program

Multiple worksurface shapes and laminates are available. See the Complete Table & Worksurface Ordering Guide for worksurface details including pricing and laminate colors. TFL quick ship worksurfaces are shipped out in 48 hours, TFL standard and HPL standard/premium worksurfaces ship within three weeks. Lead time may vary depending on quantities ordered and their availability

*Table bases and worksurfaces can be purchased independently or as a combination.
 ESI worksurfaces are made to exact dimensions. If nominal sizing is needed, please specify when ordering.*

Enmo

Electric height adjustable table base



The base dimensions as shown are actual.