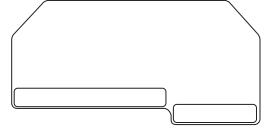


PLMAC KEYBOARD PLATFORM

Model PLMAC

PLMAC Rev A 4/17

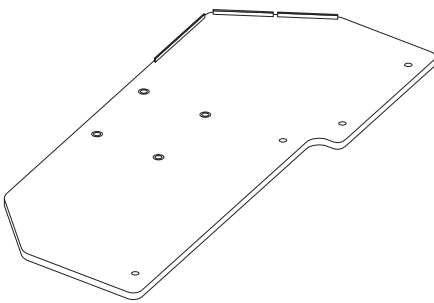
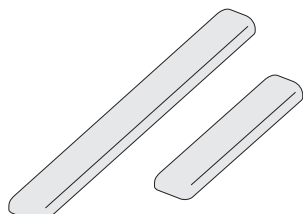
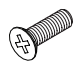


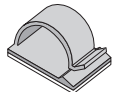


INSTALLATION AND USE

PLMAC KEYBOARD PLATFORM

PLEASE REVIEW these instructions before beginning the installation. Check that all parts needed were provided with your order. Contact your supplier if any parts are missing. Do not discard the packaging until satisfied that the product operates to your satisfaction.

PARTS PROVIDED

Keyboard Platform (1) 	Palm Rest (2)  1 Each for Keying and Mousing		
Flathead Screw (4)  #8-32x1/2	Flange Nut (4)  #8x32	Panhead Screw (4)  #8-32x5/8	Cord Clips (2) 

CAUTION: Hand-tighten screws only. Do **not** use power tools.

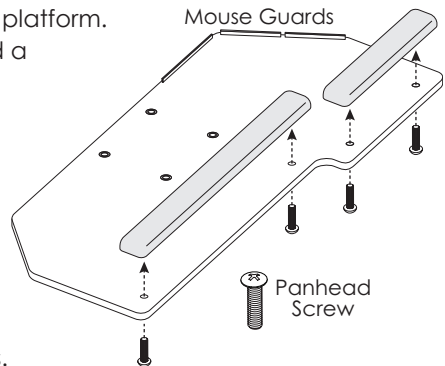
TOOLS REQUIRED

- Phillips screwdriver

STEP 1: Attach Palm Rest

- Attach the palm rests to the keyboard platform.
Use the #8-32x5/8 panhead screws and a Phillips screwdriver.
— Attach each palm rest with two screws, as shown.

NOTE: The keyboard platform can be switched from right-side mouse to left-side mouse. First, before attaching the palm rests, remove the mouse guards. Turn the platform over and re-install the mouse guards. Then install the palm rests.

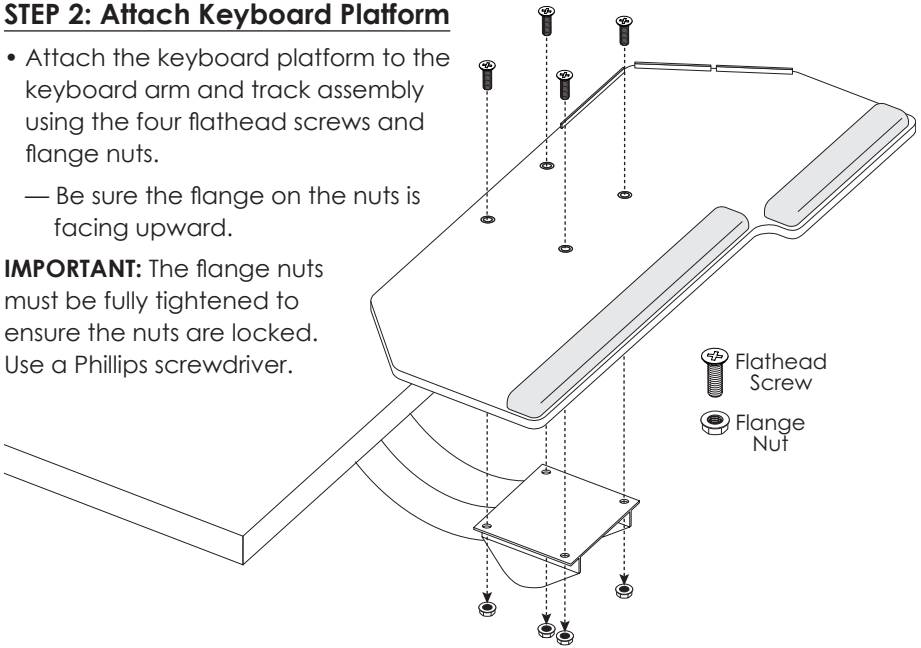


STEP 2: Attach Keyboard Platform

- Attach the keyboard platform to the keyboard arm and track assembly using the four flathead screws and flange nuts.

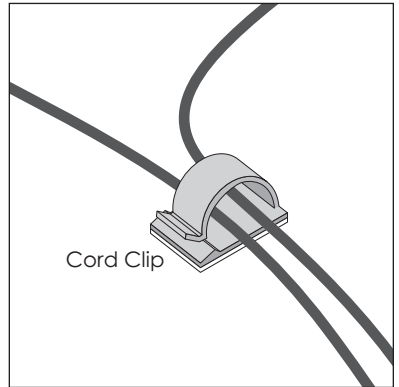
— Be sure the flange on the nuts is facing upward.

IMPORTANT: The flange nuts must be fully tightened to ensure the nuts are locked. Use a Phillips screwdriver.



STEP 3: Manage Cables

- Adhere cord clips to the underside of the keyboard platform as needed to organize the keyboard and mouse cables.



TO OPERATE THE KEYBOARD ARM, follow the instructions on the keyboard arm or the instructions included with the installation procedures for the product.



800.833.3746 | esiergo.com