



Q Crank

Crank height adjustable table base

Q Crank

Crank height adjustable table base

esi®



hand crank
no electricity needed

Product specs

- Crank height adjustment
- 220 lb. base lifting capacity
- 1.0" per two cranks adjustment speed
- 17.5" height adjustment range
- 24.8"–42.3" (low/high) (excluding worksurface)
- Two stage adjustable legs
- C-leg
- Adjustable width frame accommodates worksurfaces 36.0"–72.0"
- Locking casters are available
- Complete tables available (base and top)
- Warranty: 15 yr. (structural)/7 yr. (mechanical)

Available base finishes

- Silver -SLV
- Black -BLK



locking casters

Caster Kit

- Set of four casters for table base
- Increases height by 2.0"
- Locking casters for security

MODEL # CASTERKIT-QCRANK \$74

Q Crank

Crank height adjustable table base



Complete quick ship table model # breakdown

2QC_-R4824-QS-T_-_
| | | | | | | | | |
a b c d e f g h i

- a: number of legs
- b: type of table base
- c: finish of base
- d: worksurface shape
- e: worksurface width
- f: worksurface depth
- g: quick ship indicator
- h: laminate material
- i: laminate color

48.0" x 24.0" quick ship complete table

- Q Crank 2-leg table base with a 48.0"w x 24.0"d rectangle TFL worksurface

MODEL # 2QC_-R4824-T-█ \$1,245

60.0" x 30.0" quick ship complete table

- Q Crank 2-leg table base with a 60.0"w x 30.0"d rectangle TFL worksurface

MODEL # 2QC_-R6030-T-█ \$1,351

█ base finish notation

█ laminate color notation

Available base finishes

- Silver -S
- Black -B

Available TFL quick ship laminates

- Beigewood -BG
- Phantom Charcoal -PC
- Shadow Oak -SO
- Designer White -DW
- Grey -GR
- Dove Grey -DV

Q Crank table

Quick ship complete table options include: silver and black table base; 48.0"w x 24.0"d or 60.0"w x 30.0"d rectangle worksurfaces; all six TFL laminates. For all other combinations, please call our Customer Service Department for the estimated lead time and cost.

Multiple worksurface shapes and laminates are available. See Complete Table and Worksurface Guide for worksurface details including laminate colors.

Q Crank

Crank height adjustable table base



Table bases		Available worksurfaces					
Table base model	List price	Worksurface shape	Worksurface dimension	TFL standard		HPL standard	HPL premium
				Quick ship	Standard ship	Standard ship	Standard ship
QCRANK-24S-___	\$979		36"w x 24"d	—	2R3624-TFL-__ \$207	2R3624-HPL-__ \$289	2R3624-PHPL-__ \$316
			42"w x 24"d	—	2R4224-TFL-__ \$234	2R4224-HPL-__ \$334	2R4224-PHPL-__ \$364
			48"w x 24"d	2R4824-QS-TFL-__ \$266	2R4824-TFL-__ \$266	2R4824-HPL-__ \$372	2R4824-PHPL-__ \$405
QCRANK-24L-___	\$979	 W D Rectangle	60"w x 24"d	—	2R6024-TFL-__ \$318	2R6024-HPL-__ \$446	2R6024-PHPL-__ \$486
			72"w x 24"d	—	2R7224-TFL-__ \$398	2R7224-HPL-__ \$488	2R7224-PHPL-__ \$531
QCRANK-30S-___	\$979		36"w x 30"d	—	2R3630-TFL-__ \$222	2R3630-HPL-__ \$318	2R3630-PHPL-__ \$347
			42"w x 30"d	—	2R4230-TFL-__ \$244	2R4230-HPL-__ \$350	2R4230-PHPL-__ \$382
			48"w x 30"d	—	2R4830-TFL-__ \$291	2R4830-HPL-__ \$403	2R4830-PHPL-__ \$439
QCRANK-30L-___	\$979		60"w x 30"d	2R6030-QS-TFL-__ \$372	2R6030-TFL-__ \$372	2R6030-HPL-__ \$467	2R6030-PHPL-__ \$509
			72"w x 30"d	—	2R7230-TFL-__ \$424	2R7230-HPL-__ \$509	2R7230-PHPL-__ \$555

Worksurface Program

Multiple worksurface shapes and laminates are available. See the Complete Table & Worksurface Ordering Guide for worksurface details including pricing and laminate colors. TFL quick ship worksurfaces are shipped out in 48 hours, TFL standard and HPL standard/premium worksurfaces ship within three weeks. Lead time may vary depending on quantities ordered and their availability

Table bases and worksurfaces can be purchased independently or as a combination.
 ESI worksurfaces are made to exact dimensions. If nominal sizing is needed, please specify when ordering.

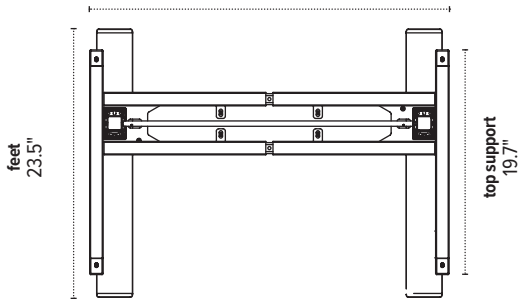
Q Crank

Crank height adjustable table base



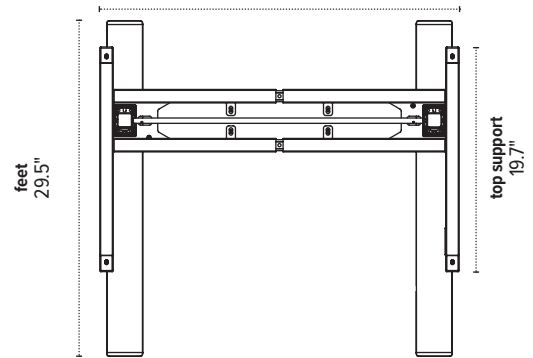
Q CRANK-24S

adjustable width
28.6"–47.5"



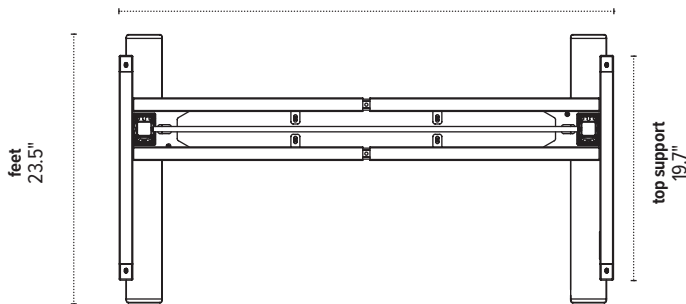
Q CRANK-30S

adjustable width
28.6"–47.5"



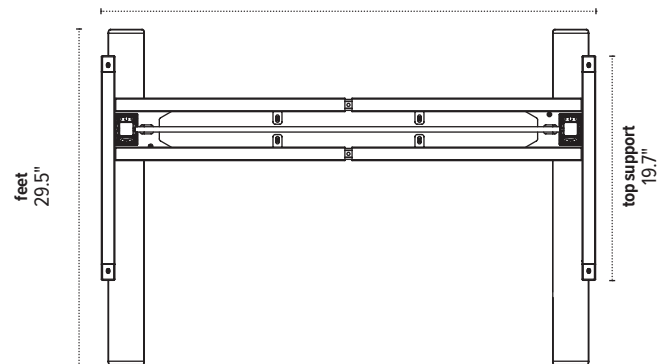
Q CRANK-24L

adjustable width
40.1"–70.7"



Q CRANK-30L

adjustable width
40.1"–70.7"



The base dimensions as shown are actual.