



# Climb

Single monitor arm desktop sit-to-stand workstation

## Single monitor arm desktop sit-to-stand workstation



lowered



raised

### Product specs

---

- Pneumatic height adjustment
- Clamp mount to worksurface  
(6.0" clearance needed underneath worksurface)
- 14.5" pole height adjustment range
- 16.2" motion arm height range
- Flexible positioning along the vertical column and horizontally on with the articulating arm
- 25 lb. platform weight capacity
- 17.2" column height adjustment range
- 27.0"w x 10.3"d top platform
- 27.0"w x 10.6"d keyboard platform
- 30.0" max. worksurface depth
- Top platform includes grommet hole for cable management
- Keyboard platform includes palm rest
- Palm rest can be positioned on left or right side of keyboard platform
- Partial assembly required
- Single monitor arm integration:
  - 10.4" monitor mount height range
  - 20 lb. max. monitor weight
  - Monitor can be rotated for portrait or landscape orientation
- Conversion grommet mount sold separately
- Warranty: 3yr.

### Model #

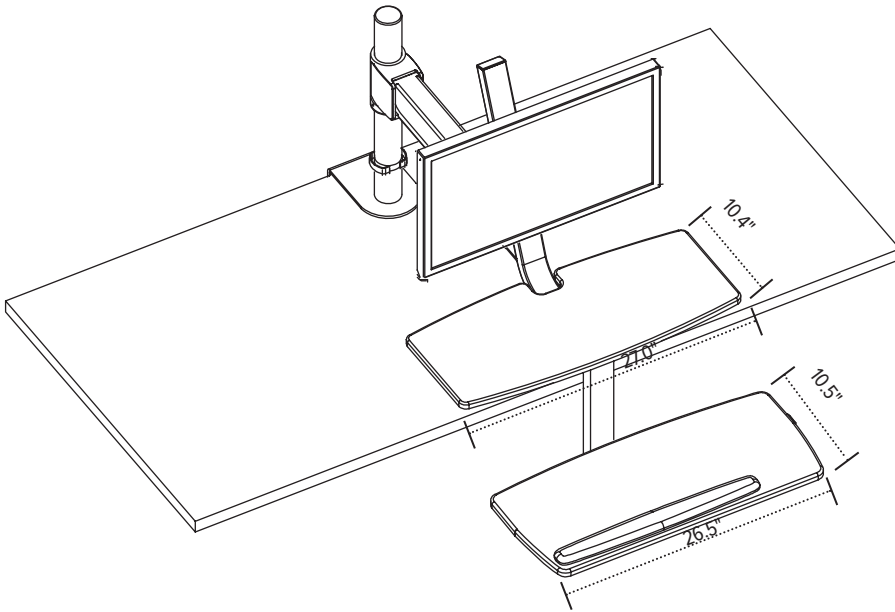
---

- CLIMB1-SLV
- CLIMB-GM-SLV *Grommet Mount*

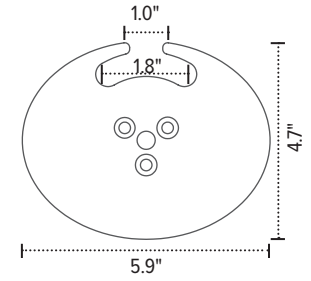
# Climb1

Single monitor arm desktop sit-to-stand workstation

esi



Top grommet mount plate



Bottom grommet mount plate

