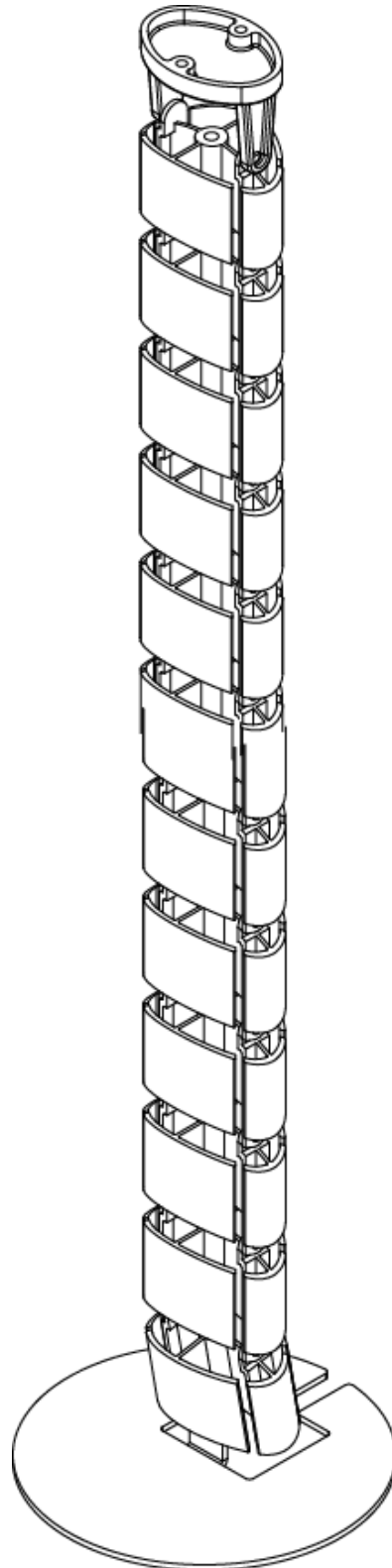


CONCEAL

CABLE MANAGEMENT SPINE



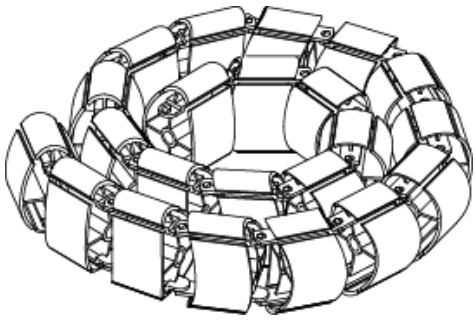
VERSION **A**
INSTRUCTION MANUAL



PARTS LIST

A

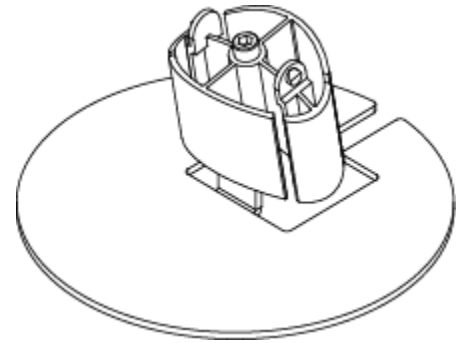
1 pcs

**B**

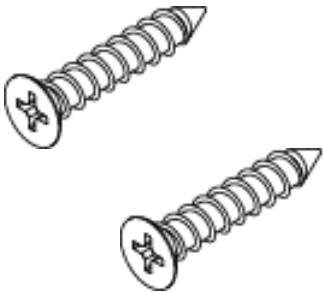
1 pcs

**C**

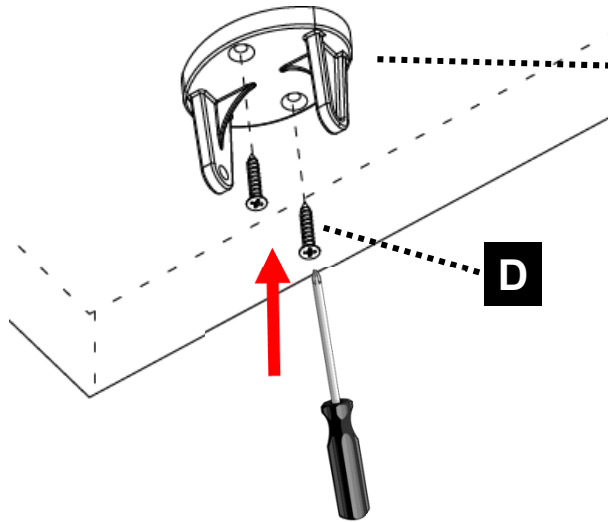
1 pcs

**D**

2 pcs



STEP 1

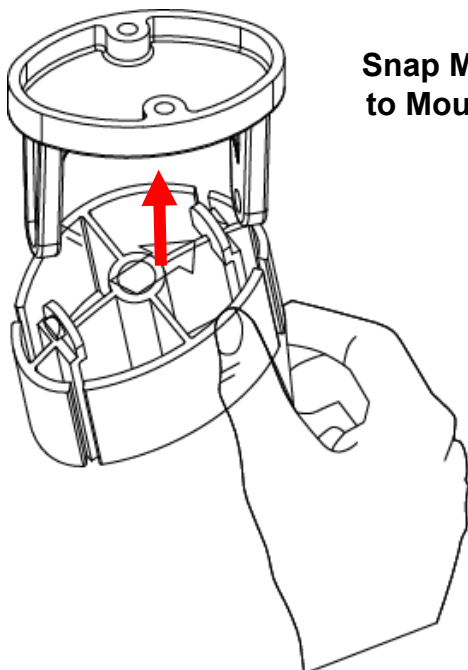


Attach Mounting Bracket (B) to Bottom of Desk Surface

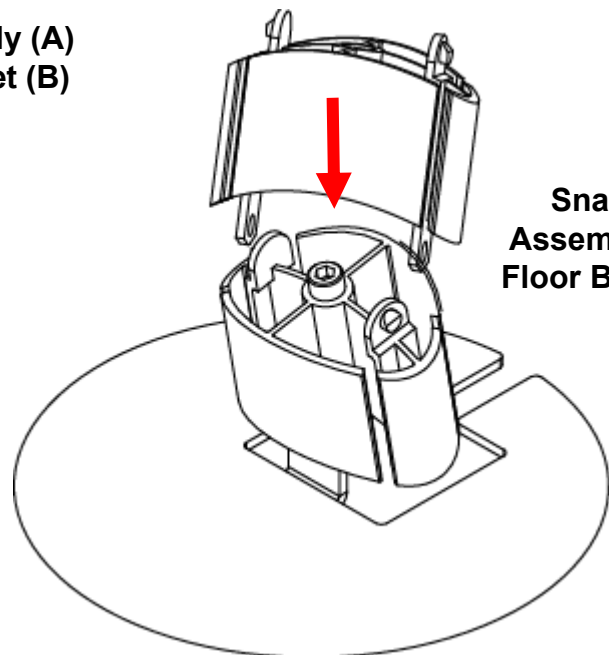


Minimum Thickness
(0.79 in – 20 mm)

STEP 2

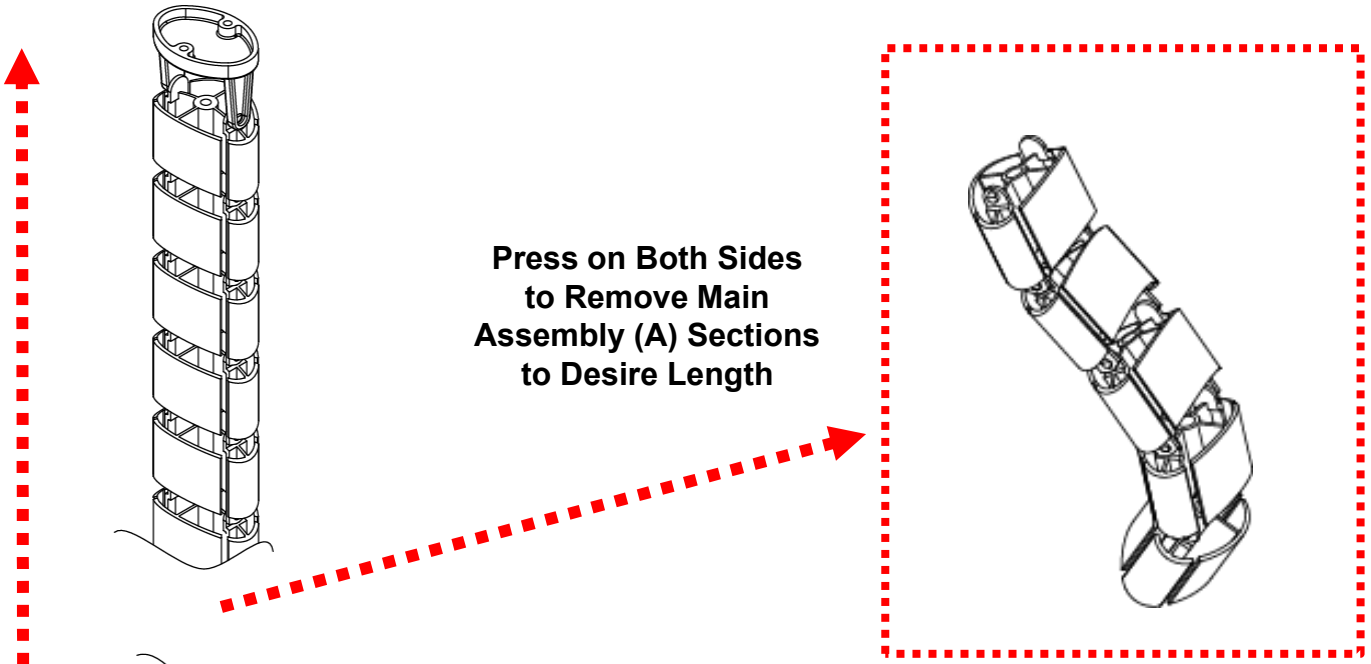


Snap Main Assembly (A) to Mounting Bracket (B)

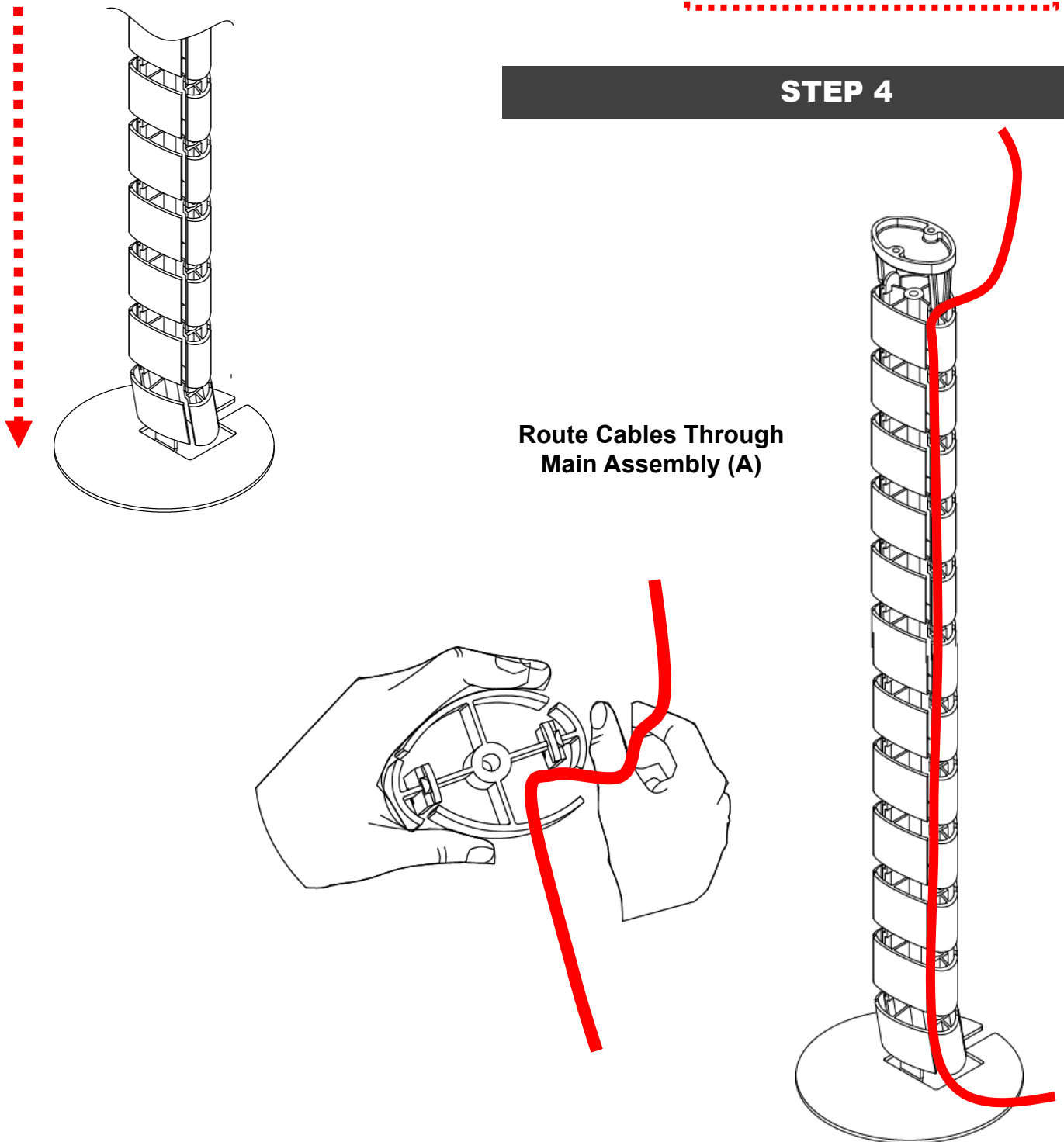


Snap Main Assembly (A) to Floor Bracket (C)

STEP 3



STEP 4



Phone: 1-800-833-3746

Email: customerservice@esiergo.com

Web: www.esiergo.com

