



# Victory™ LX 2-leg

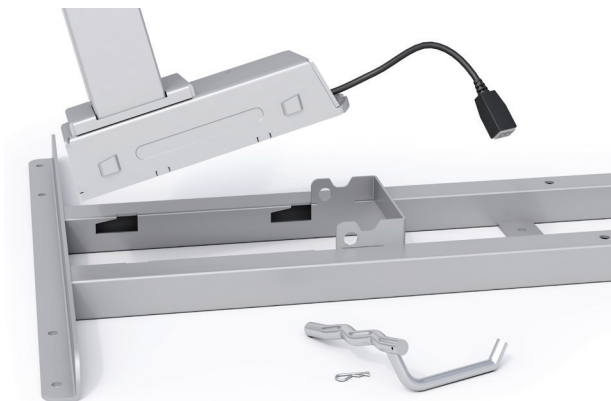
Electric height adjustable table base



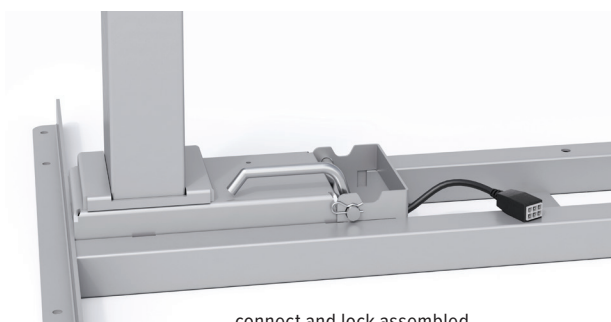
# VictoryLX 2-leg

Electric height adjustable table

esi



connect and lock pre-assembly



connect and lock assembled



digital keypad



drawers easily slide over feet



locking casters

## Product specs

- Electric height adjustment
- 220 lb. base lifting capacity
- 1.4"/sec adjustment speed
- 26.0" height adjustment range
  - 21.5"–47.5" (low/high)  
(excluding worksurface)
- Three stage adjustable legs
- C-leg
- Frame and column connect and lock for quick and easy assembly
- Adjustable width frame accommodates worksurfaces 36.0"–72.0"
- Soft start and stop
- Gyro sensor anti-collision
- Locking casters available
- Two motors
- ADA compliant
- 8'9" power cord
- Table base is UL962 listed
- Meets or exceeds BIFMA x5.5, GI and CSA CAN/CGSB44.227
- Works with peds or storage with 18.5" max. height
- Low standby power consumption
- Steel frame and foot construction
- Digital keypad with three memory settings
- Keypad can slide under worksurface to store out of the way
- Complete tables available (*base and top*)
- Warranty: 15 yr. (*structural*)/7 yr. (*mechanical*)

## Available base finishes

- Silver -SLV
- Black -BLK
- White -WHT

## Caster Kit

- Set of four casters for table base
- Increases height by 2.0"
- Locking casters for security

MODEL # CASTERKIT-LX-2LEG \$53

# VictoryLX 2-leg

Electric height adjustable table

esi

## Complete quick ship table model # breakdown

2VT\_\_R4824-QS-T\_\_  
| | | | | | | | | |  
a b c d e f g h i

- a: number of legs
- b: type of table base
- c: finish of base
- d: worksurface shape
- e: worksurface width
- f: worksurface depth
- g: quick ship indicator
- h: laminate material
- i: laminate color

### 48.0" x 24.0" quick ship complete table

- VictoryLX 2-leg table base with a 48.0"w x 24.0"d rectangle TFL worksurface

MODEL # 2VT\_\_R4824-QS-T\_\_ **\$1,363**

### 60.0" x 30.0" quick ship complete table

- VictoryLX 2-leg table base with a 60.0"w x 30.0"d rectangle TFL worksurface

MODEL # 2VT\_\_R6030-QS-T\_\_ **\$1,463**

■ base finish notation

■ laminate color notation

### Available base finishes

- Silver -S
- Black -B
- White -W

### Available TFL quick ship laminates

- Beigewood -BG
- Phantom Charcoal -PC
- Shadow Oak -SO
- Designer White -DW
- Grey -GR
- Dove Grey -DV

## VictoryLX 2-leg table

Quick ship complete table options include: silver, black, or white table bases; 48.0"w x 24.0"d or 60.0"w x 30.0"d rectangle worksurfaces; all six TFL laminates. Quick ship worksurfaces will be pre-drilled to accommodate the VictoryLX 2-leg table base. For all other combinations, please call our Customer Service Department for the estimated lead time and cost.

Multiple worksurface shapes and laminates are available. See Complete Table and Worksurface Guide for worksurface details including laminate colors.

# VictoryLX 2-leg

Electric height adjustable table



Table bases			Available worksurfaces				
Table base model	List price	Worksurface shape	Worksurface dimension	TFL standard		HPL standard	HPL premium
				Quick ship	Standard ship	Standard ship	Standard ship
2VT-LX-C36-24-___	\$1,113	Rectangle	36"w x 24"d	-	2R3624-TFL-__ \$195	2R3624-HPL-__ \$273	2R3624-PHPL-__ \$298
			42"w x 24"d	-	2R4224-TFL-__ \$220	2R4224-HPL-__ \$315	2R4224-PHPL-__ \$343
			48"w x 24"d	2R4824-QS-TFL-__ \$250	2R4824-TFL-__ \$250	2R4824-HPL-__ \$350	2R4824-PHPL-__ \$382
2VT-LX-C48-24-___	\$1,113	Rectangle	60"w x 24"d	-	2R6024-TFL-__ \$300	2R6024-HPL-__ \$420	2R6024-PHPL-__ \$458
			72"w x 24"d	-	2R7224-TFL-__ \$375	2R7224-HPL-__ \$460	2R7224-PHPL-__ \$501
2VT-LX-C36-30-___	\$1,113	Rectangle	36"w x 30"d	-	2R3630-TFL-__ \$210	2R3630-HPL-__ \$300	2R3630-PHPL-__ \$327
			42"w x 30"d	-	2R4230-TFL-__ \$230	2R4230-HPL-__ \$330	2R4230-PHPL-__ \$360
			48"w x 30"d	-	2R4830-TFL-__ \$275	2R4830-HPL-__ \$380	2R4830-PHPL-__ \$414
2VT-LX-C48-30-___	\$1,113	Rectangle	60"w x 30"d	2R6030-QS-TFL-__ \$350	2R6030-TFL-__ \$350	2R6030-HPL-__ \$440	2R6030-PHPL-__ \$480
			72"w x 30"d	-	2R7230-TFL-__ \$400	2R7230-HPL-__ \$480	2R7230-PHPL-__ \$523

## Worksurface Program

Multiple worksurface shapes and laminates are available. See the Complete Table & Worksurface Ordering Guide for worksurface details including pricing and laminate colors. TFL quick ship worksurfaces are shipped out in 48 hours, TFL standard and HPL standard/premium worksurfaces ship within three weeks. Lead time may vary depending on quantities ordered and their availability

Table bases and worksurfaces can be purchased independently or as a combination.

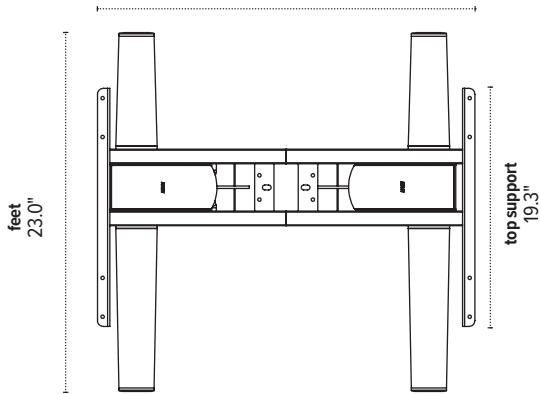
ESI worksurfaces are made to exact dimensions. If nominal sizing is needed, please specify when ordering.

# VictoryLX 2-leg

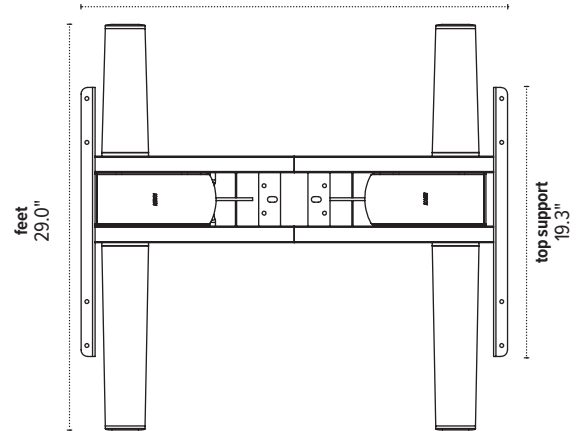
Electric height adjustable table



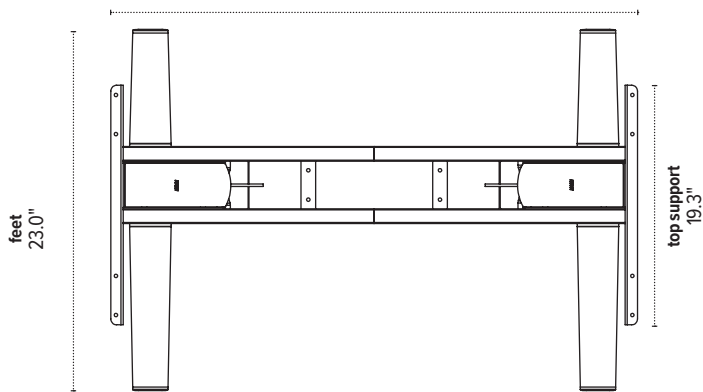
**2VT-LX-C36-24**  
adjustable width  
30.6"–47.5"



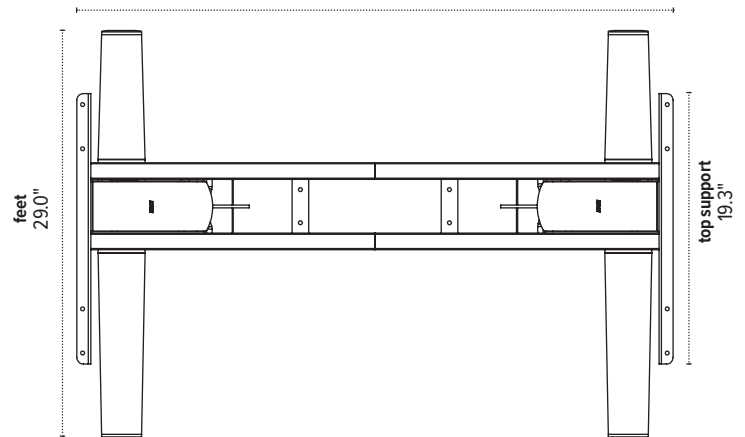
**2VT-LX-C36-30**  
adjustable width  
30.6"–47.5"



**2VT-LX-C48-24**  
adjustable width  
42.5"–71.5"



**2VT-LX-C48-30**  
adjustable width  
42.5"–71.5"



The base dimensions as shown are actual.