

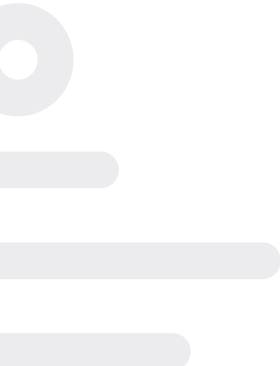
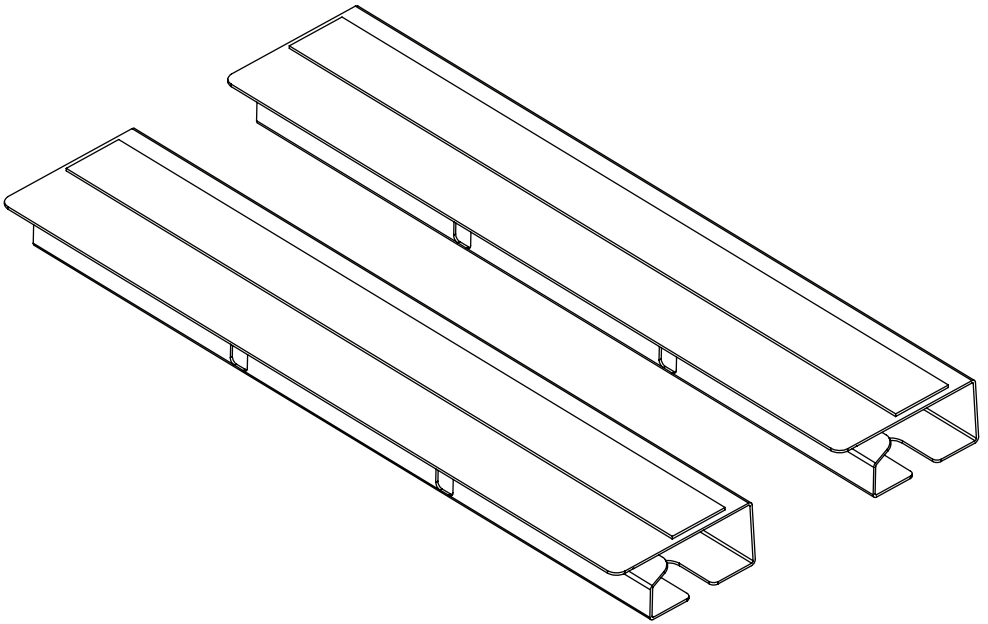
# esi

Assembly and operation instructions

# Deluxe Trough Kit

Cable management

Model # TROUGH-DLX-KIT-BLK





## Safety instructions/warnings

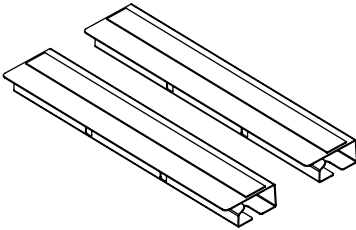
- Hand-tighten screws only. Do **not** use power tools.
- Always check that screws used to attach components to the worksurface are not too long for the thickness of the surface.

**Please review** these instructions before beginning the installation. Check that the components shown below were provided with your order. No other parts are required. Do not discard the packaging until content that the product operates to your satisfaction.

## Parts provided

Cable troughs (2, 18.0")

M4.8x22 #2 Phillips round head (10)



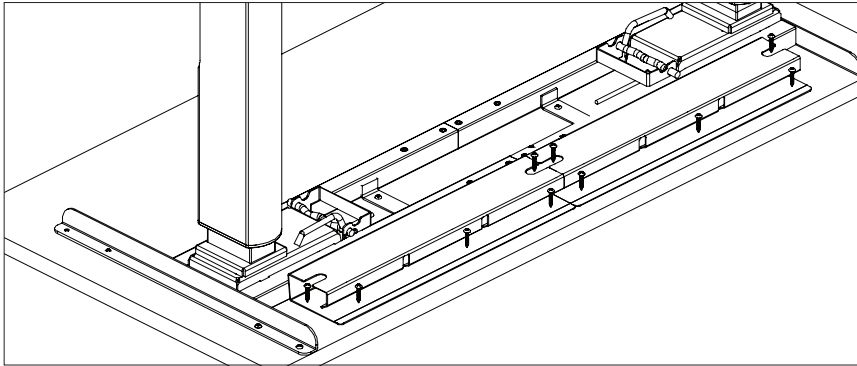
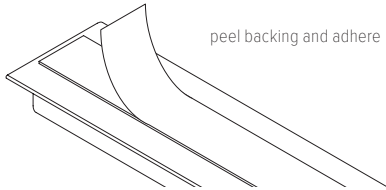
## **Additional tools required:**

- Phillips screwdriver



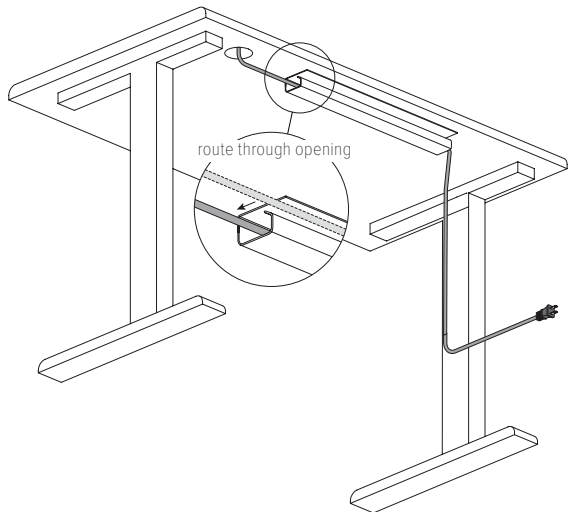
## Step #1: position and attach cable troughs

- Peel the backing from the double-sided tape on the bottom of the troughs. Center the troughs at the rear of the table
- Secure each trough with five M4.8x22 #2 Phillips round head screws.



## Step #2: route cables and cords

- Route the cables and cords through the opening in the cable troughs.





# Deluxe Trough Kit

Cable management

Please contact Customer Service with any questions or comments at 800.833.3746 or visit our website at [esiergo.com](http://esiergo.com)

## LIMITED WARRANTY

ESI warrants this product to be free from defects in manufacturing for a period of 15 years from the date of original purchase. This warranty extends only to the original purchaser, and does not apply if the product has been damaged or fails to function properly as a result of misuse, abuse, modification, alteration, or improper cleaning or maintenance. This warranty does not apply to damage in shipment caused by carriers, damage caused during installation, normal wear and tear, or excessive use (meaning consistent use in excess of an eight hour shift). ANY IMPLIED WARRANTIES OF MERCHANTABILITY OR FITNESS FOR A PARTICULAR PURPOSE ARE LIMITED IN DURATION TO ONE YEAR FROM THE DATE OF ORIGINAL RETAIL PURCHASE. ESI's sole obligation under this warranty or any implied warranty, and the purchaser's sole remedy, is limited to the repair or replacement, at ESI's option, of the product or any defective part. Costs (such as installation, labor fees or express shipping) incurred due to replacement of products are not covered under warranty. IN NO EVENT SHALL FELLOWES, ITS AFFILIATES, SUBSIDIARIES, RELATED ENTITIES OR THEIR RESPECTIVE OFFICERS, DIRECTORS, OR EMPLOYEES, BE LIABLE FOR INCIDENTAL, CONSEQUENTIAL, PUNITIVE, EXEMPLARY, OR SPECIAL DAMAGES.

To make a warranty claim, contact ESI at 800-833-3746 or [customerservice@esiergo.com](mailto:customerservice@esiergo.com). You must provide proof of purchase, such as the original purchase order number.

The duration, terms and conditions of this warranty are valid worldwide, except where different limitations, restrictions or conditions may be required by local law.