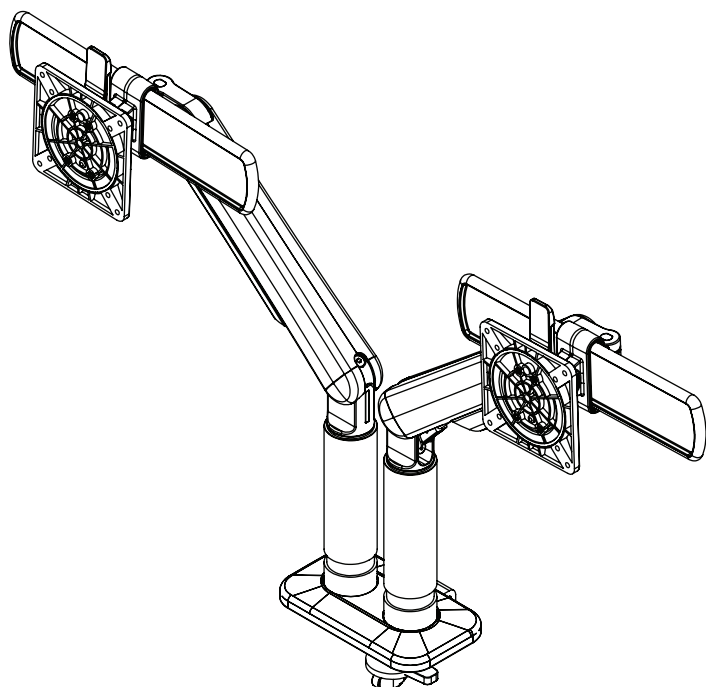
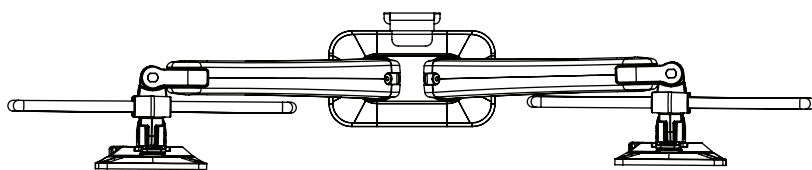
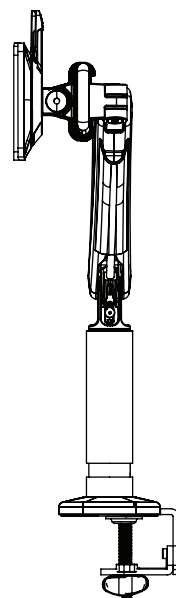
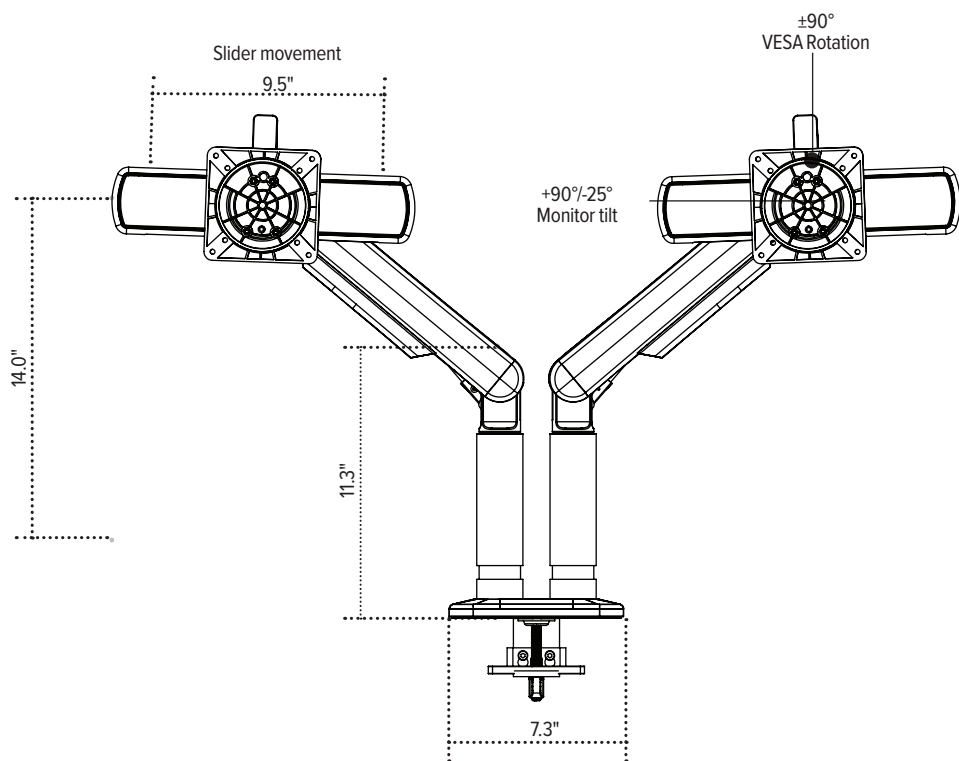
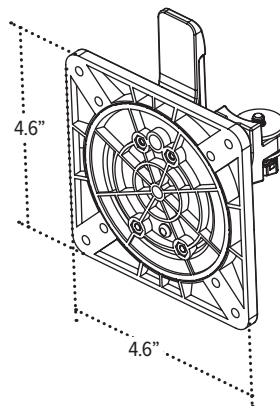


Kata2-MS

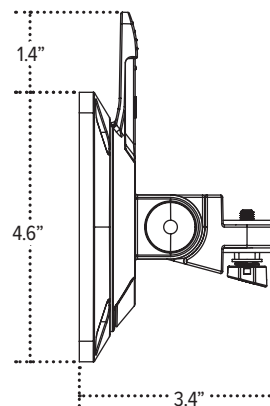
dual monitor arm



VESA Plate



VESA (profile view)



esi

800.833.3746
esiergo.com