



reddot winner 2020

esi

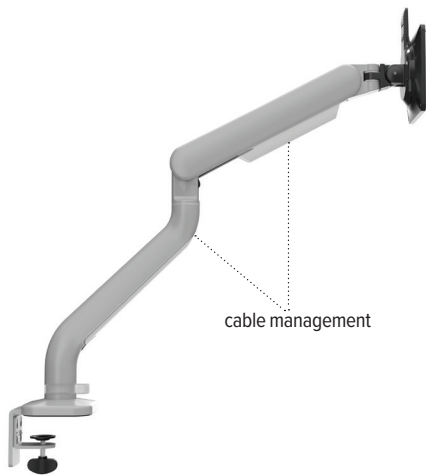


Kata™
Single monitor arm

Kata

Single monitor arm

esi



cable management



tension adjustment



integrated tool storage



grommet mount



clamp mount

Product specs

- Finger touch dynamic height adjustment
- Recommended for worksurfaces 36.0" deep or less
- 14.0" height adjustment range
 - 7.5"–21.5" (low/high)
- 24.6" arm extension
- 5.5" arm retraction
- +90°/-25° monitor tilt
- ±90° VESA rotation
- 4.0 lb.–20.0 lb. weight capacity
- VESA 75mm/100mm quick release
- 180° lock-out feature
- Specify a grommet mount or a desk clamp mount
- Tension adjustment indicator for precision installation
- Capable of portrait and landscape orientation
- Partially assembled for quick installation
- Integrated cord management
- Integrated tool holder within the VESA plate keeping hex keys accessible
- Warranty: 15 yr.
- Designed for ESI by Roger Webb Associates of London

Model

- KATA-DC-SLV
- KATA-DC-BLK
- KATA-DC-WHT
- KATA-GM-SLV
- KATA-GM-BLK
- KATA-GM-WHT

Available mounting options

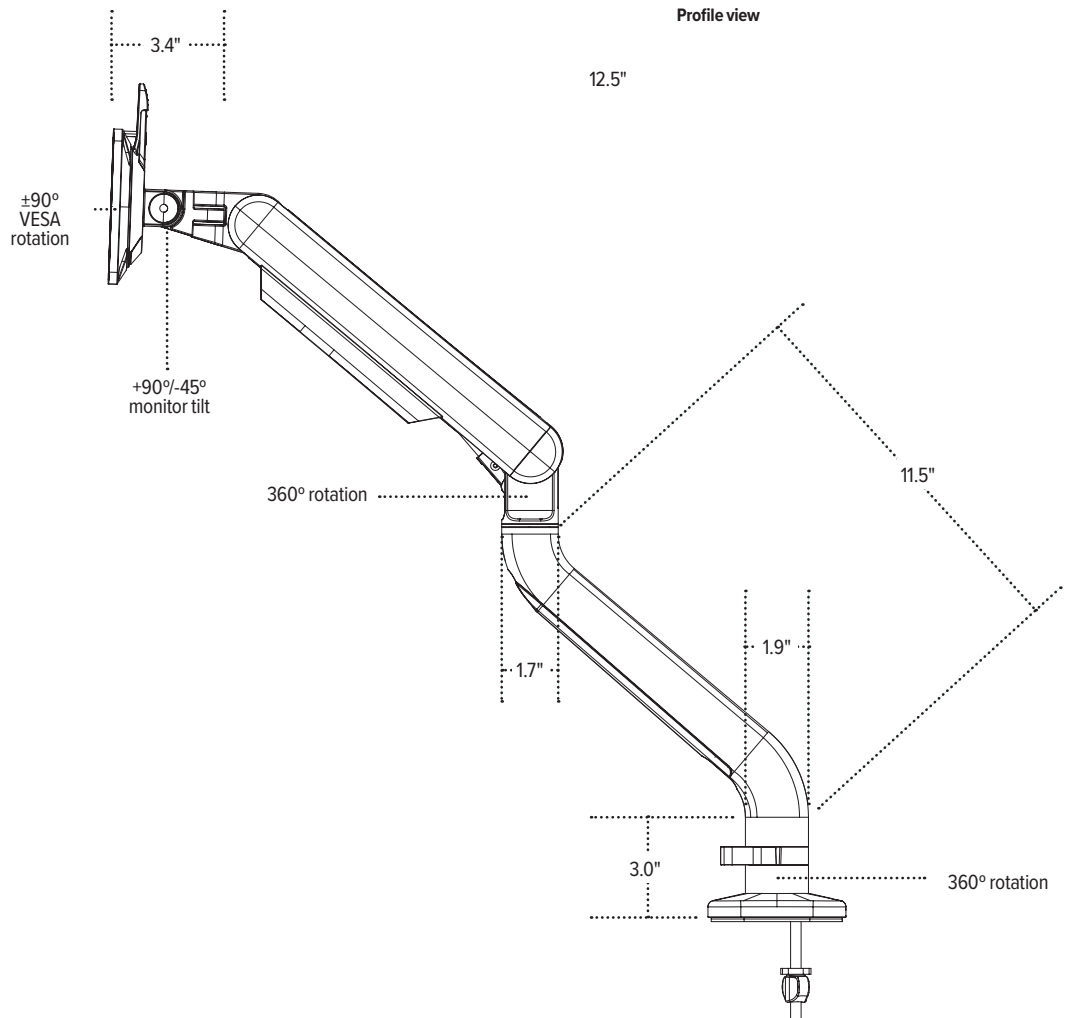
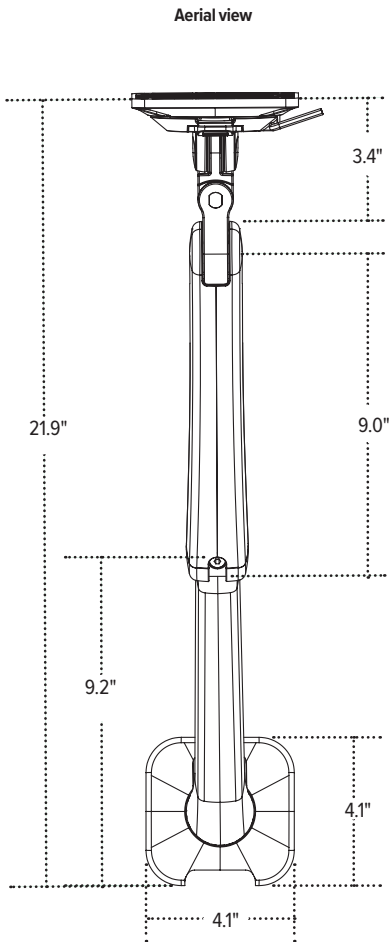
DC - Desk clamp

GM - Grommet mount

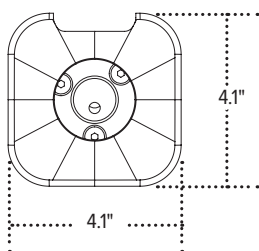
Kata

Single monitor arm

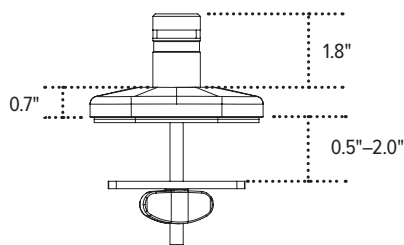
esi



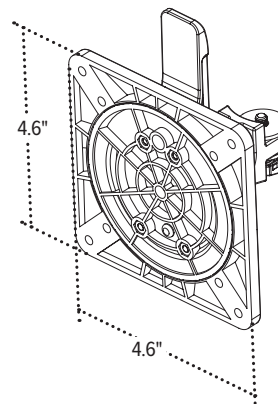
Base (bottom view)



Base (straight on view)



VESA Plate



VESA (profile view)

