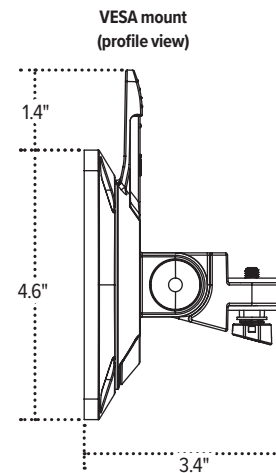
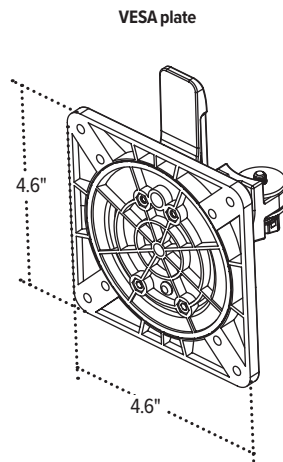
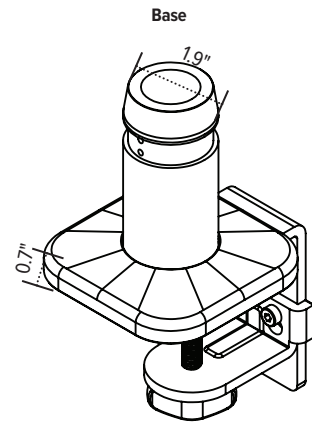
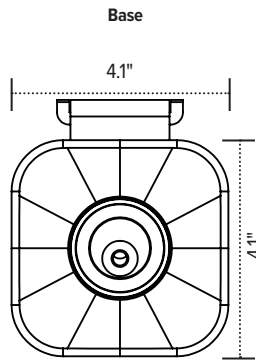
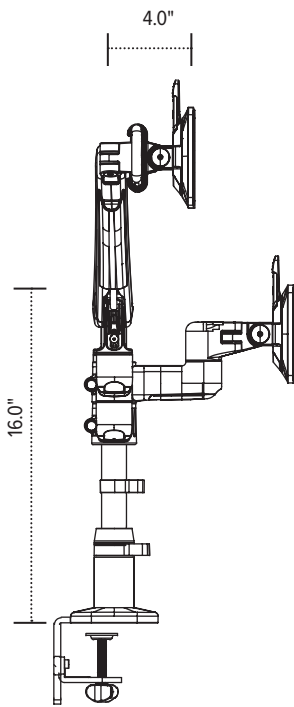
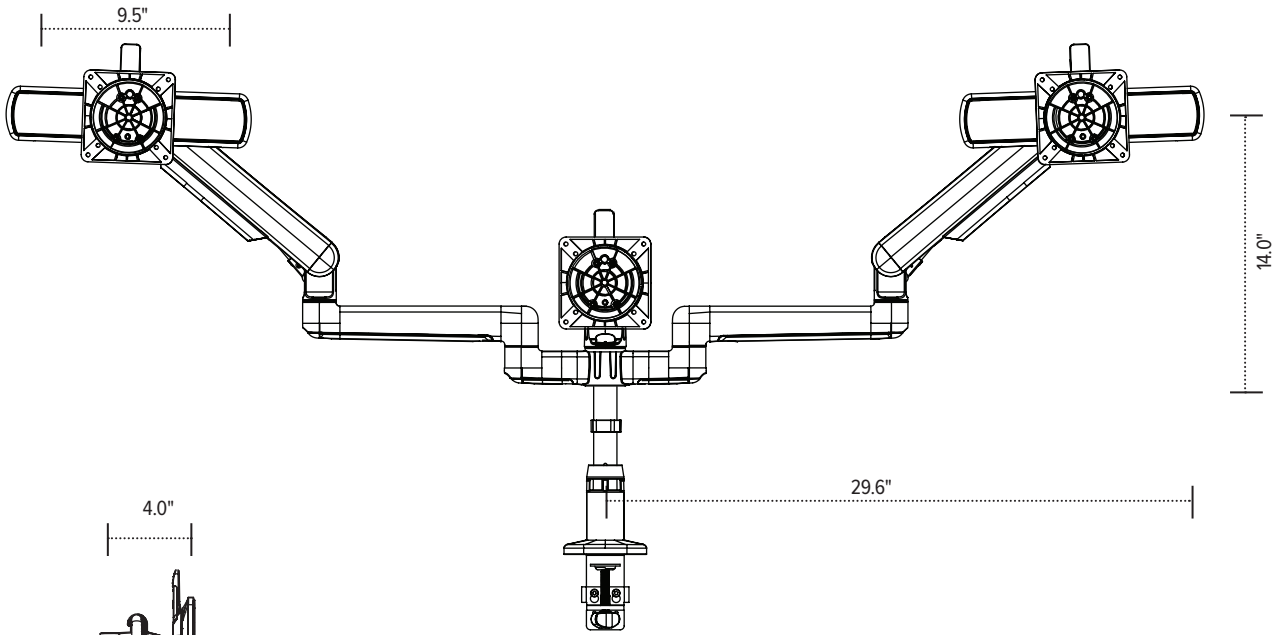


# Kata™ EX3-FMS

Triple fixed + motion + slider monitor arm



esi

800.833.3746  
esiergo.com