



Assembly instructions

MP™ Series

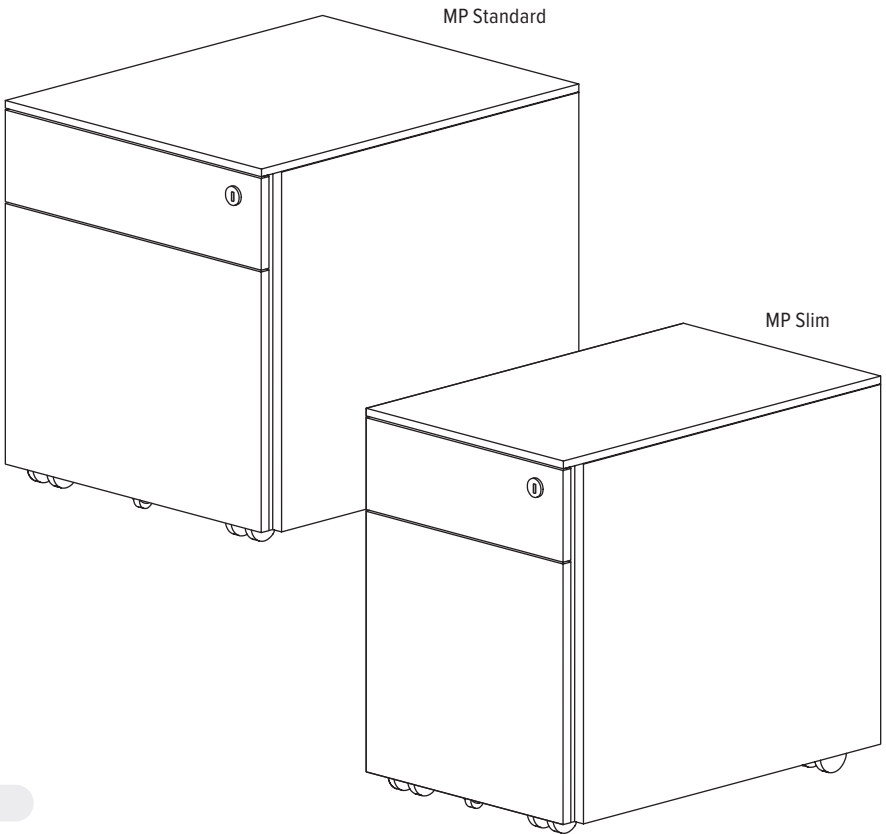
Mobile storage pedestals

MP Standard:
Model # MP-STND-____

____ - SLV, BLK, WHT

MP Slim:
Model # MP-SLIM-____

____ - SLV, BLK, WHT





Safety instructions/warnings

Failure to follow these safety rules could result in personal injury. Maximum pedestal drawer loading should comply with current ANSI/BIFMA specifications. When loading a mobile ped unit, the bottom drawer must be loaded first and then the top drawers last. When unloading reverse order. Contents and weight should always be evenly distributed along depth of drawer.

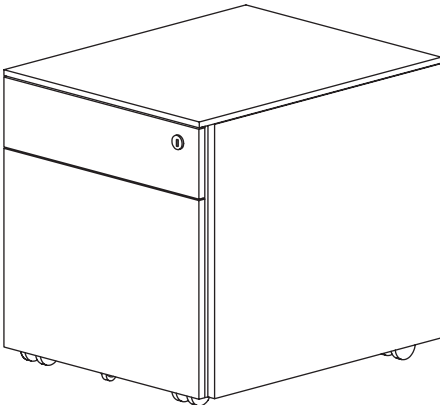
Overloading drawers could cause failure of drawer unit or work surface.

Unloading contents before moving a pedestal is recommended. In addition, when relocating mobile pedestals all drawers should be closed and locked to prevent accidental opening during relocation. When loaded, move unit carefully. Failure to do so could cause instability, product collapse, and or serious injury.

Please review these instructions before beginning the installation. Check that all parts and tools needed were provided with your order. Contact your supplier if any parts are missing. Do not discard the packaging until content that the product operates to your satisfaction.

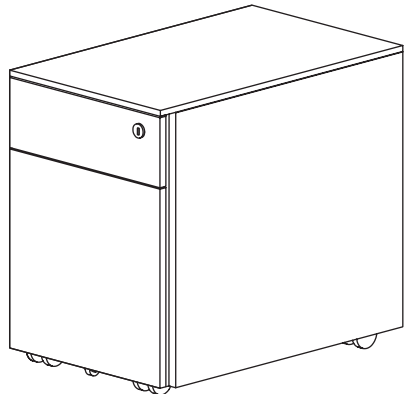
Parts provided

MP Standard (1)



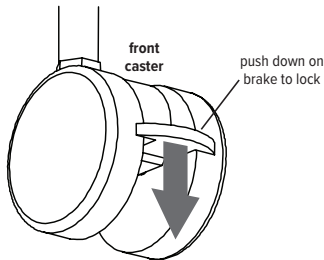
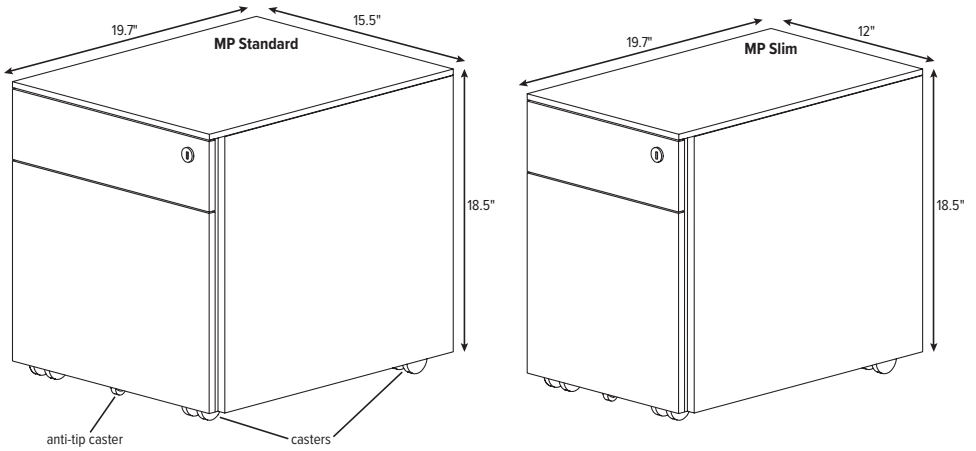
MP Slim (1)

– OR –





Standard and slim storage pedestals share the same features. Each has a top drawer and a larger bottom drawer. The pedestal moves on four casters, the front two of which have brakes to lock the pedestal in place. In addition, the bottom drawer has a smaller wheel that prevents tipping when the drawer is open. A lock on the top drawer controls access to both drawers.





MP™ Series

Mobile storage pedestals

Please contact Customer Service with any questions or comments at 800.833.3746 or visit our website at esiergo.com

LIMITED WARRANTY

ESI warrants this product to be free from defects in manufacturing for a period of 10 years from the date of original purchase. This warranty extends only to the original purchaser, and does not apply if the product has been damaged or fails to function properly as a result of misuse, abuse, modification, alteration, or improper cleaning or maintenance. This warranty does not apply to damage in shipment caused by carriers, damage caused during installation, normal wear and tear, or excessive use (meaning consistent use in excess of an eight hour shift). ANY IMPLIED WARRANTIES OF MERCHANTABILITY OR FITNESS FOR A PARTICULAR PURPOSE ARE LIMITED IN DURATION TO ONE YEAR FROM THE DATE OF ORIGINAL RETAIL PURCHASE. ESI's sole obligation under this warranty or any implied warranty, and the purchaser's sole remedy, is limited to the repair or replacement, at ESI's option, of the product or any defective part. Costs (such as installation, labor fees or express shipping) incurred due to replacement of products are not covered under warranty. IN NO EVENT SHALL FELLOWES, ITS AFFILIATES, SUBSIDIARIES, RELATED ENTITIES OR THEIR RESPECTIVE OFFICERS, DIRECTORS, OR EMPLOYEES, BE LIABLE FOR INCIDENTAL, CONSEQUENTIAL, PUNITIVE, EXEMPLARY, OR SPECIAL DAMAGES.

To make a warranty claim, contact ESI at 800-833-3746 or customerservice@esiergo.com. You must provide proof of purchase, such as the original purchase order number.

The duration, terms and conditions of this warranty are valid worldwide, except where different limitations, restrictions or conditions may be required by local law.