

esi



Brisa™

Electric height adjustable table base

# Brisa

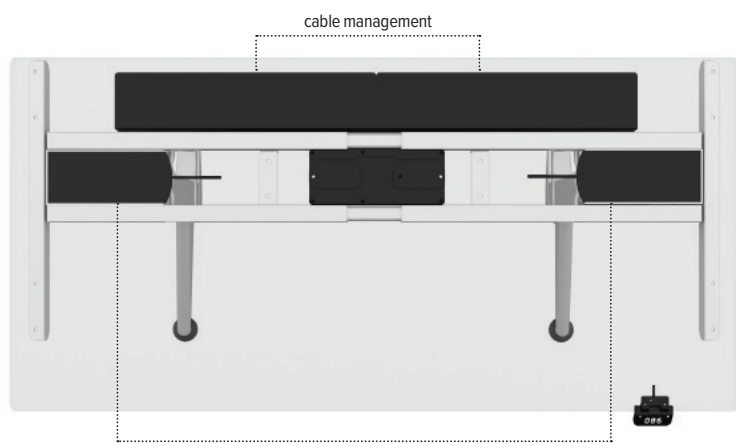
Electric height adjustable table base

esi



quick frame and column assembly

top view



two motors



digital keypad

## Product specs

- Designed by Gecco Vision
- Designer look and feel
- Highly customizable with 36 different color combinations for columns, shrouds and foot
- Frame and column connect and lock for quick and easy assembly
- Electric height adjustment
- 220 lbs. base lifting capacity
- 1.4"/sec adjustment speed
- 26.1" height adjustment range
  - 21.6"–47.7" (low/high)  
(excluding worksurface)
- Three stage adjustable legs
- Adjustable width frame: 43.3"–70.9"
- Two motors
- Soft start
- Gyro sensor anti-collision
- Steel frame and aluminum foot construction
- Low standby power consumption
- Cable management included
- Simplistic and stylized digital keypad
- Complete tables available (*base and top*)
- Warranty: 15 yr. (*structural*) / 7 yr. (*mechanical*)

# Brisa

Electric height adjustable table base



## Complete quick ship table model # breakdown

2B \_ \_ -R4824-QS-T \_ \_  
| | | | | | | | | | | |  
a b c d e f g h i j k

- a: number of legs
- b: table base series
- c: shroud finish
- d: foot finish
- e: column & frame finish
- f: worksurface shape
- g: worksurface width
- h: worksurface depth
- i: quick ship indicator
- j: laminate material
- k: laminate color




## 48.0" x 24.0" quick ship complete table

- Brisa 2-leg table base with a 48.0"w x 24.0"d rectangle TFL worksurface

MODEL # 2B   -R4824-QS-T  **\$2,245**

## 60.0" x 30.0" quick ship complete table

- Brisa 2-leg table base with a 60.0"w x 30.0"d rectangle TFL worksurface

MODEL # 2B   -R6030-QS-T  **\$2,345**

 shroud finish notation

 foot finish notation

 column & frame finish notation

 laminate color notation

## Available quick ship shroud, feet, column and frame finishes

- Silver -S
- Black -B
- White -W
- Polished Aluminum -A (*foot only*)

## Available TFL quick ship laminates

- Beigewood -BG
- Phantom Charcoal -PC
- Shadow Oak -SO
- Designer White -DW
- Grey -GR
- Dove Grey -DV

## Brisa table

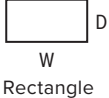
Quick ship complete table options include all finish combinations for the shroud, foot, column and frame; 48.0"w x 24.0"d or 60.0"w x 30.0"d rectangle worksurfaces; all six TFL laminates. For all other combinations, please call our Customer Service Department for the estimated lead time and cost.

Multiple worksurface shapes and laminates are available. See Complete Table and Worksurface Guide for worksurface details including laminate colors.

# Brisa






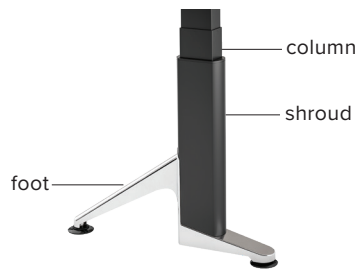
## Electric height adjustable table base

Table bases		Available worksurfaces					
Table base model	List price	Worksurface shape	Worksurface dimension	TFL standard		HPL standard	HPL premium
				Quick ship	Standard ship	Standard ship	Standard ship
2B-C48-_-_-_-_-	\$1,995	 Rectangle	48"w x 24"d	2R4824-QS-TFL-__ \$250	2R4824-TFL-__ \$250	2R4824-HPL-__ \$350	2R4824-PHPL-__ \$382
			60"w x 24"d	-	2R6024-TFL-__ \$300	2R6024-HPL-__ \$420	2R6024-PHPL-__ \$458
			72"w x 24"d	-	2R7224-TFL-__ \$375	2R7224-HPL-__ \$460	2R7224-PHPL-__ \$501
			48"w x 30"d	-	2R4830-TFL-__ \$275	2R4830-HPL-__ \$380	2R4830-PHPL-__ \$414
			60"w x 30"d	2R6030-QS-TFL-__ \$350	2R6030-TFL-__ \$350	2R6030-HPL-__ \$440	2R6030-PHPL-__ \$480
			72"w x 30"d	-	2R7230-TFL-__ \$400	2R7230-HPL-__ \$480	2R7230-PHPL-__ \$523

### Part number breakdown

2B-C48-\_-\_-\_-\_-

-  shroud finish notation
-  foot finish notation
-  column & frame finish notation



### Available foot & shroud finishes

- Silver -S
- Black -B
- White -W
- Polished aluminum -A (foot only)

### Available column & frame finishes

- Silver -SLV
- Black -BLK
- White -WHT

### Worksurface Program

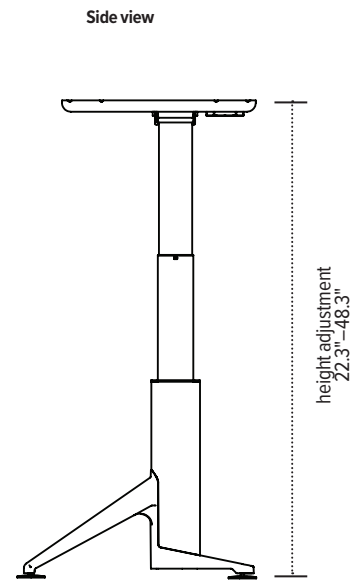
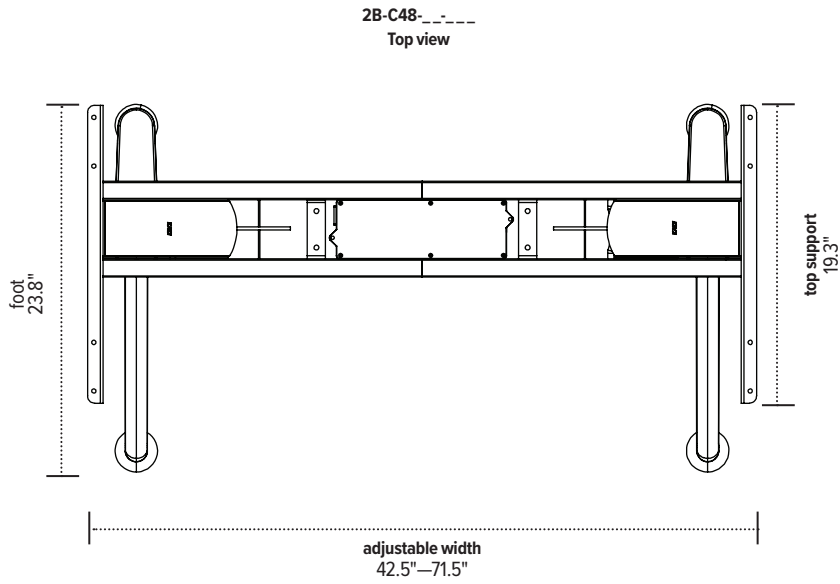
Multiple worksurface shapes and laminates are available. See the Complete Table & Worksurface Ordering Guide for worksurface details including pricing and laminate colors. TFL quick ship worksurfaces are shipped out in 48 hours, TFL standard and HPL standard/premium worksurfaces ship within three weeks. Lead time may vary depending on quantities ordered and their availability.

Table bases and worksurfaces can be purchased independently or as a combination.  
 ESI worksurfaces are made to exact dimensions. If nominal sizing is needed, please specify when ordering.

# Brisa

Electric height adjustable table base

esi



The base dimensions as shown are actual.

800.833.3746  
esiergo.com

**Fellowes** | FAMILY BUSINESS  
Brands. SINCE 1917

© 2020 Fellowes, Inc. V33 catalog prices. All prices are in U.S. dollars.