



Assembly instructions

Motific™ Adjustable

Height adjustable portable tech table

Model # MOA-12-33344

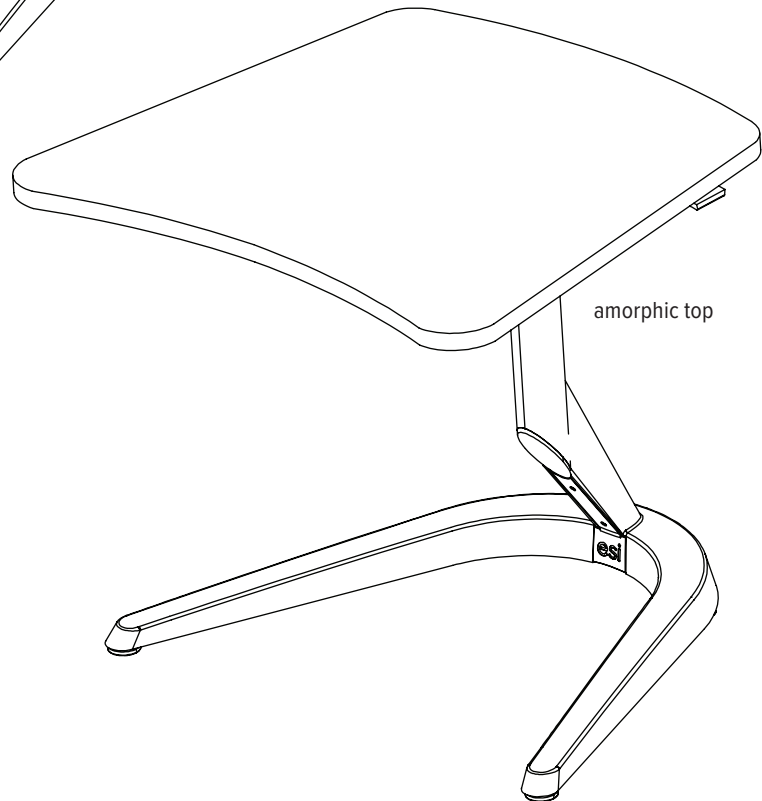
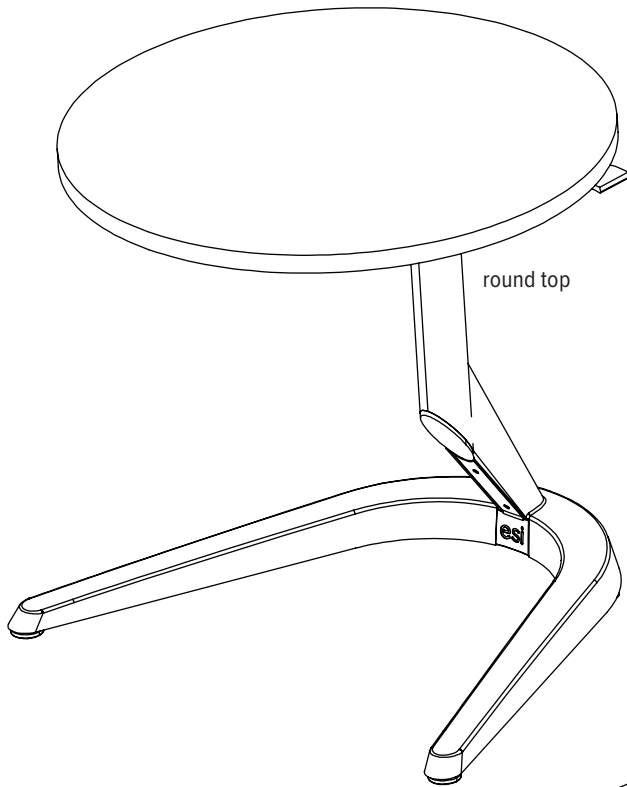
(In order of blanks)

1 = S,B,W (column finish)

2 = S,B,W,A (base finish)

333 = RND, AMP (top shape)

44 = AW,DW (laminated color)



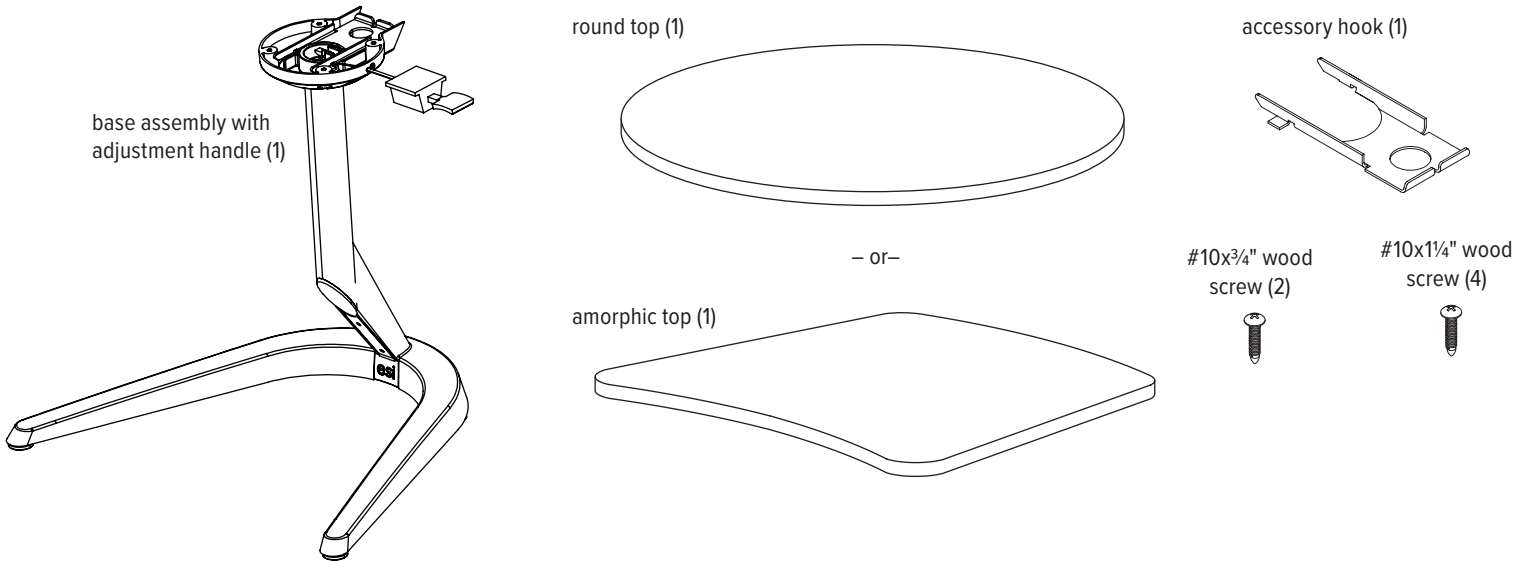


Caution

- Maximum weight capacity on table top is 25 lbs. Do not exceed this maximum weight.

Please review these instructions before beginning the installation. Use the illustrations below to check that all the components needed for assembly were provided with your order. Do not discard the packaging until the product is assembled to your satisfaction.

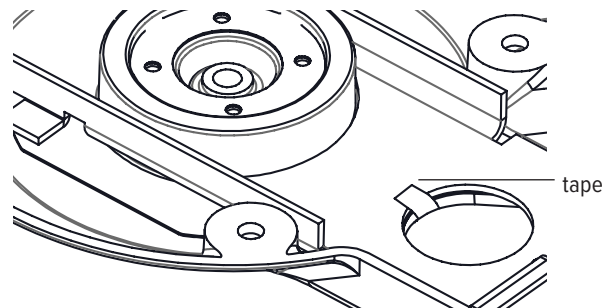
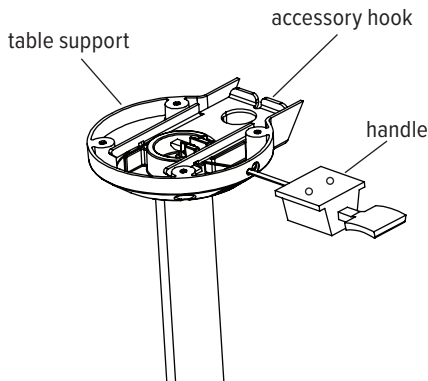
Components



Step #1: attach the assembly hook

If the accessory hook is already installed with tape, proceed to step 2.

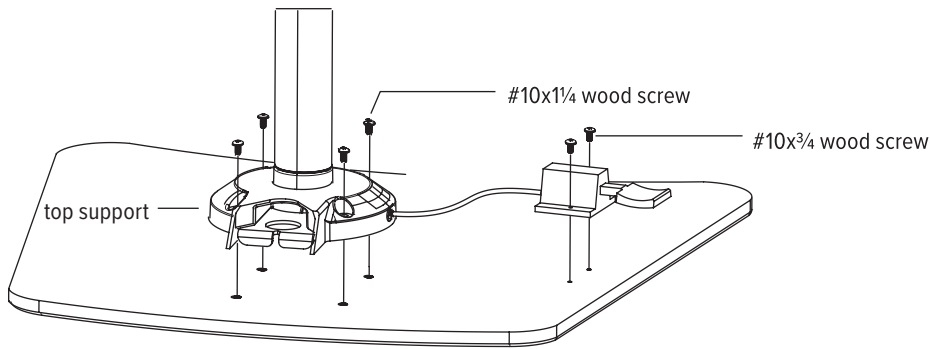
- Place the accessory hook in position on the table support, as shown below left.
- Secure the hook in place with tape while the worksurface is installed, as shown below right.





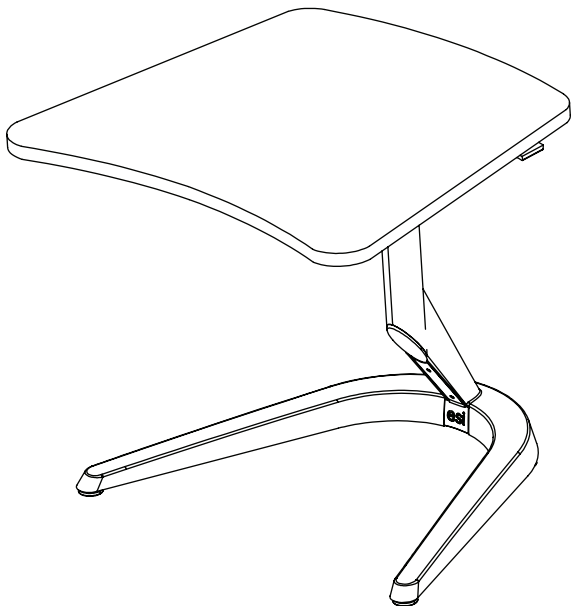
Step #2: screw base to table top and attach release handle

- Place the table top face down on a soft, clean surface.
- Turn the base assembly upside down and align its mounting holes with the holes in the table top.
- Fasten the base assembly to the table top using the four #10x1¼" wood screws.
- Place the release handle on the bottom of the table and align with the pre-drilled handle placement holes.
- Fasten the handle to the top using the two #10x¾".
- Remove tape from accessory hook and twist tie from paddle assembly



Step #3: turn the assembled table upright and adjust to desired height

- Turn the table upright and place it in its final position.
- To adjust height, squeeze the release handle.
 - Lift up on the top to increase the height and push down to lower the height.
 - Release handle to set the height position





Motific™ Adjustable

Height adjustable portable tech table

Please contact Customer Service with any questions or comments at 800.833.3746 or visit our website at esiergo.com

LIMITED WARRANTY

ESI warrants the Motific Adjustable to be free from defects in manufacturing for a period of five years from the date of original purchase. This warranty extends only to the original purchaser, and does not apply if the product has been damaged or fails to function properly as a result of misuse, abuse, modification, alteration, or improper cleaning or maintenance. This warranty does not apply to damage in shipment caused by carriers, damage caused during installation, normal wear and tear, or excessive use (meaning consistent use in excess of an eight hour shift). ANY IMPLIED WARRANTIES OF MERCHANTABILITY OR FITNESS FOR A PARTICULAR PURPOSE ARE LIMITED IN DURATION TO ONE YEAR FROM THE DATE OF ORIGINAL RETAIL PURCHASE. ESI's sole obligation under this warranty or any implied warranty, and the purchaser's sole remedy, is limited to the repair or replacement, at ESI's option, of the product or any defective part. Costs (such as installation or express shipping) incurred due to replacement of products are not covered under warranty. IN NO EVENT SHALL FELLOWES, ITS AFFILIATES, SUBSIDIARIES, RELATED ENTITIES OR THEIR RESPECTIVE OFFICERS, DIRECTORS, OR EMPLOYEES, BE LIABLE FOR INCIDENTAL, CONSEQUENTIAL, PUNITIVE, EXEMPLARY, OR SPECIAL DAMAGES.

To make a warranty claim, contact ESI at 800-833-3746 or customerservice@esiergo.com. You must provide proof of purchase, such as the original purchase order number.

The duration, terms and conditions of this warranty are valid worldwide, except where different limitations, restrictions or conditions may be required by local law.