



Get the All-Flex® table base and Conceal cable manager with one model number.

ALL-FLEX® 3-LEG ELECTRIC TABLE BASE

- One part number for all 3-leg sizes
- Height adjustment range: 26"
 - Low: 23.2" | High: 49.2" (excluding worksurface)
- Adjusts to fit worksurfaces 48"x48" - 84"x84" wide
- Adjustment speed: 1.5"/second
- Lifting capacity: 330 lbs. (including worksurface)
- Adjustable feet: 22" or 28"
- Crossbar includes guide markings to assist in setting width
- Top support expands to more effectively accommodate worksurfaces 24"-36" deep
- Notched cross channel offers ample space for keyboard tray glide tracks
- Anti-collision safety feature
- 86" power cable
- Quick start
- Digital keypad with 4 memory settings
- Folding frame design for quick assembly
- Integrated control unit shelf
- Integrated storage for foot extension plate when not in use
- Integrated cable management
- Quiet adjustment
- Steel construction
- Low power consumption
- Lead free
- ADA compliant
- Optional casters are available

CONCEAL CABLE MANAGER

- Expands and retracts to keep cables organized under a height adjustable table base.
- Total height: 53.5"
- Total # of links: 23
- Links are detachable
- Weighted bottom
- Attaches to bottom of work surface

MODEL #

FLEX3-SLV-CNCL-GRY ●

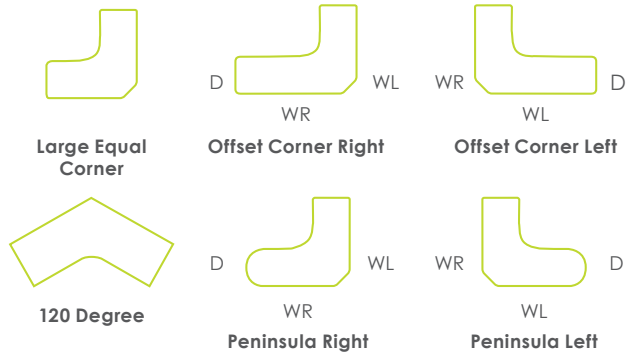
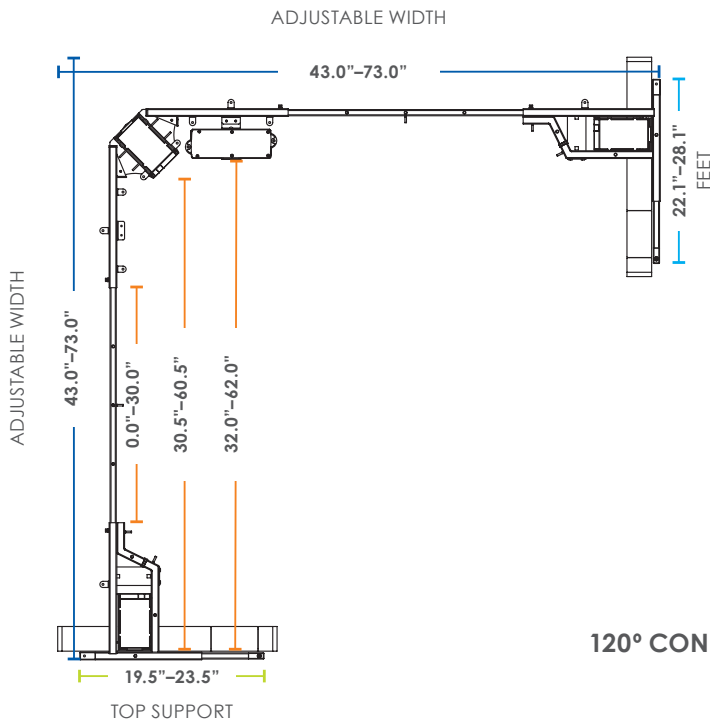
CASTERKIT-FLEX3

Price includes silver table base and grey Conceal cable manager. worksurface must be purchased separately.

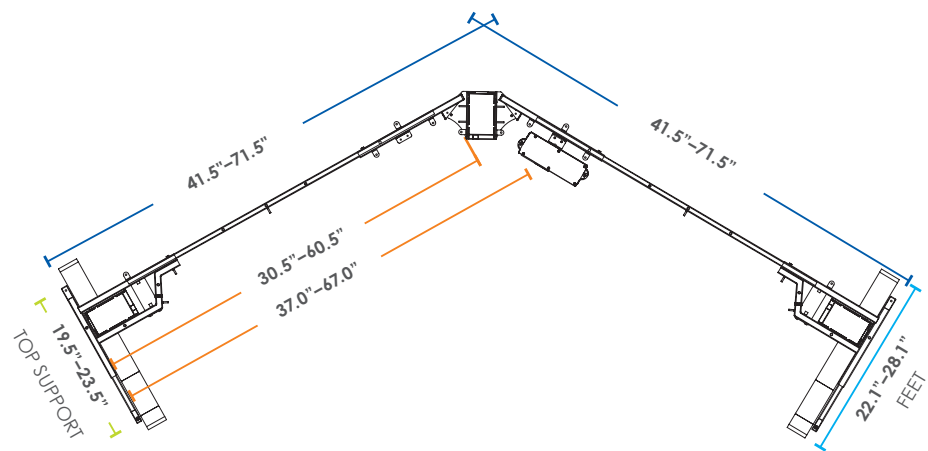


90° CONFIGURATION

3-LEG WORKSURFACES For reference only.



120° CONFIGURATION



SIDE

