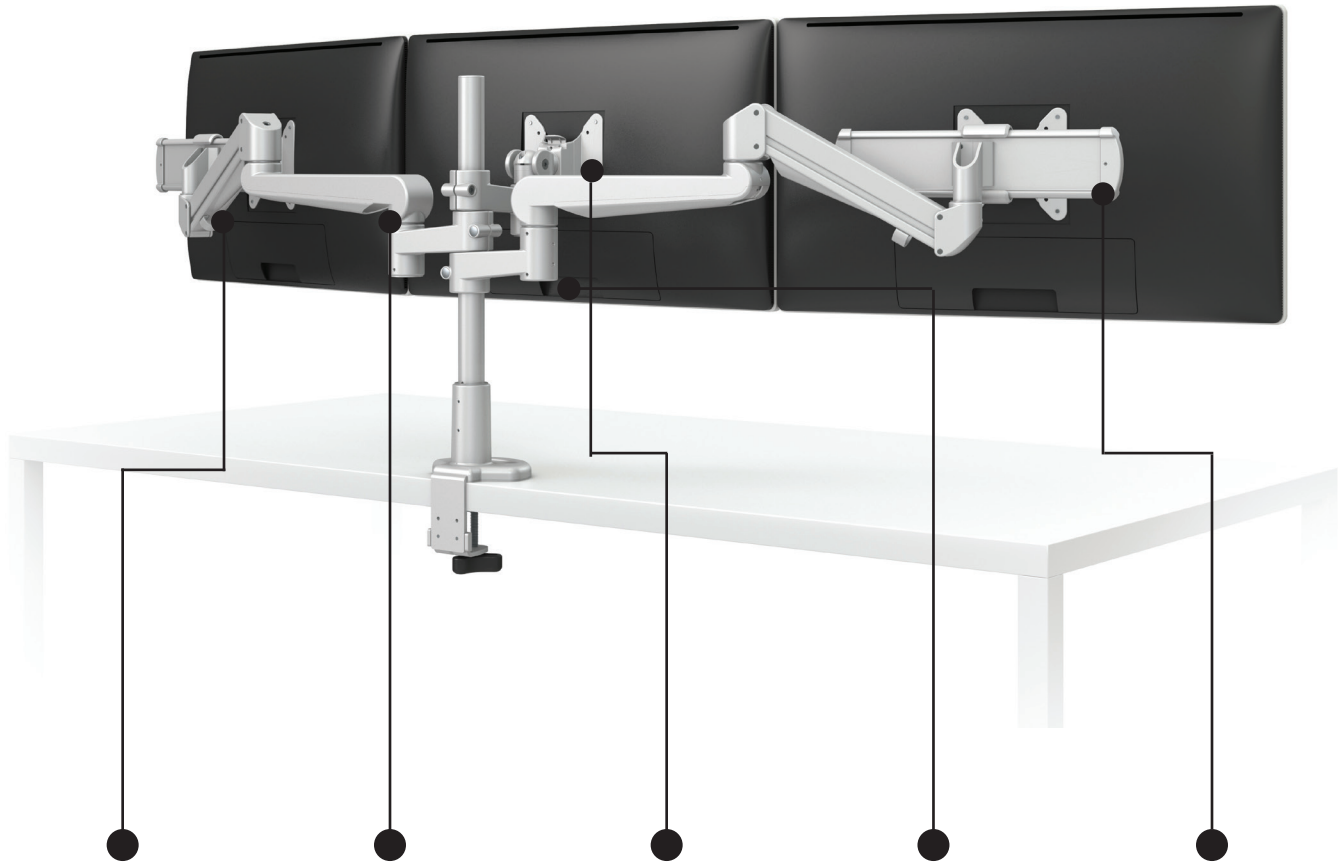


Evolve components



(M) Motion
Motion arm

Motion arms provide 13" of dynamic height adjustment

Model #
EDV-MA

(F) Fixed
Straight arm

Fixed arms provide extra reach

Model #
EDV-SA

Vesa Mount
Monitor attachment

A Vesa Mount attaches your monitor to the arm

Model #
EDV-BSHVM

Arm Stem
Straight arm

Arm stems are included in every configuration

Model #
EDV-STEM

(S) Slider Mount
Vesa slider

Sliders provide extended lateral adjustment - ideal for positioning monitors of varying sizes side-by-side

Model #
EDV-SLD



16.0" Pole with base
Pole mount

Center mounting pole
Base adds additional 2.0" height

Model #
EDV-16POLE#-___

28.0" Pole with base
Pole mount

Center mounting pole
Base adds additional 2.0" height

Model #
EDV-28POLE#-___

16.0" Pole without base
Pole mount

Center mounting pole

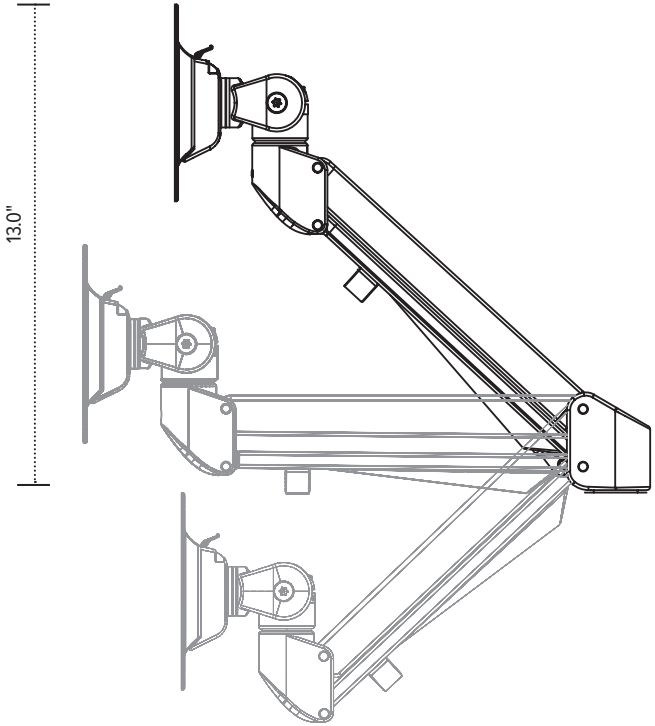
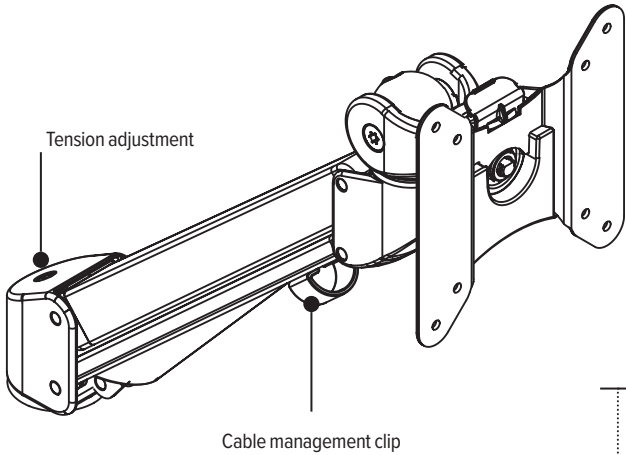
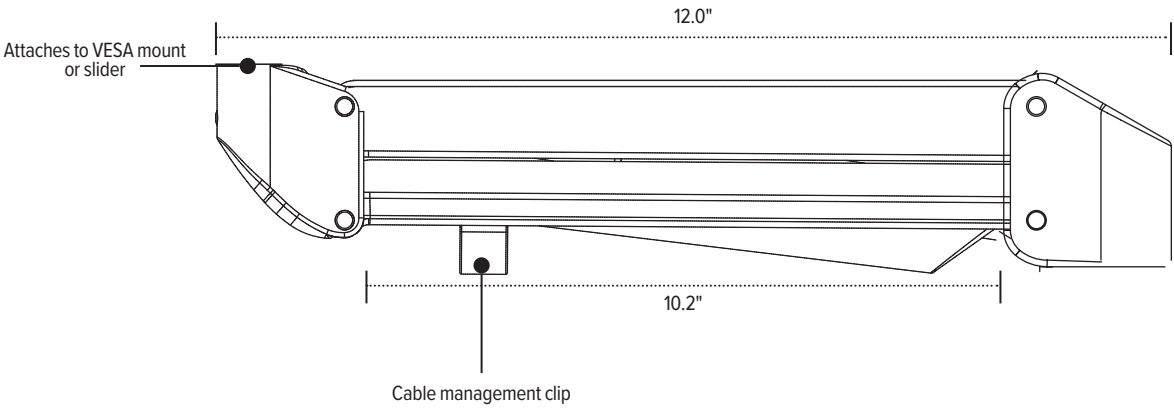
Model #
EDV-16POLE ONLY

28.0" Pole without base
Pole mount

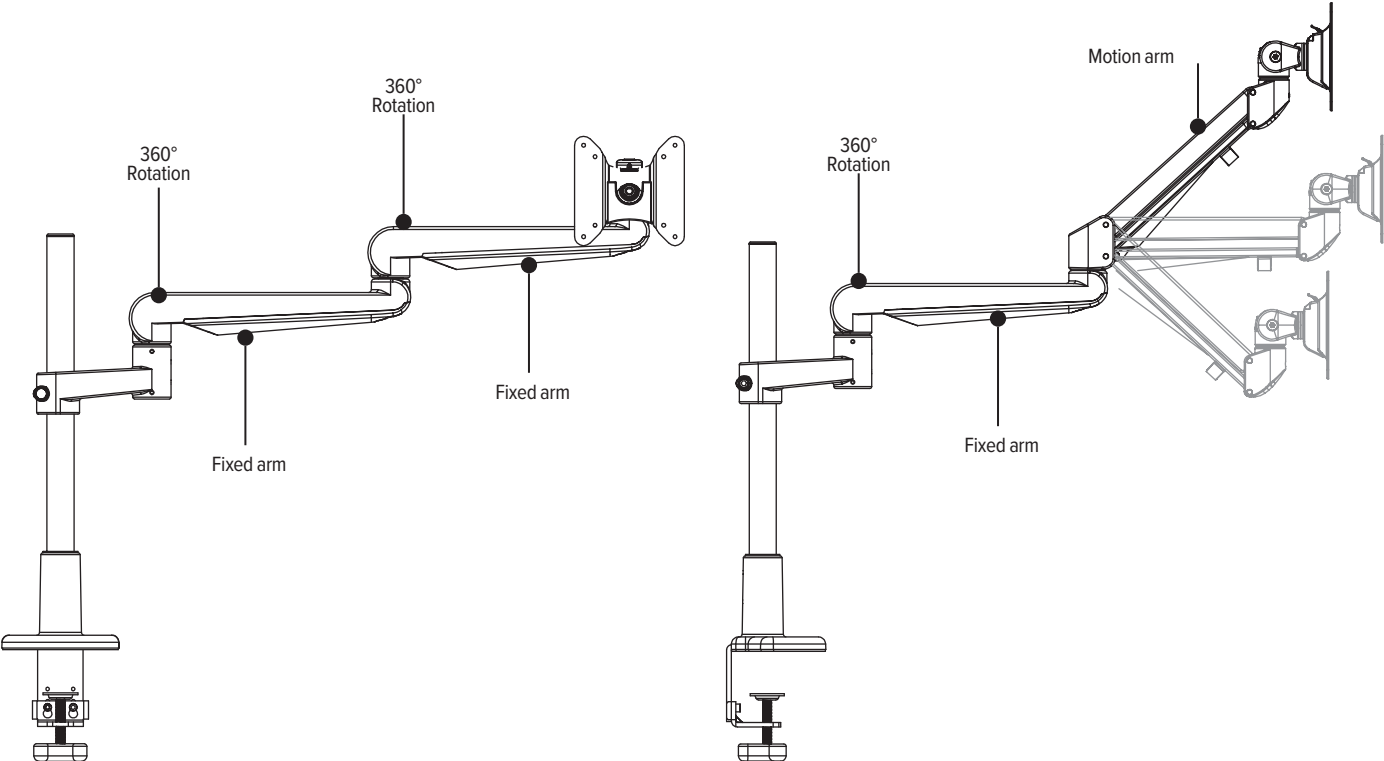
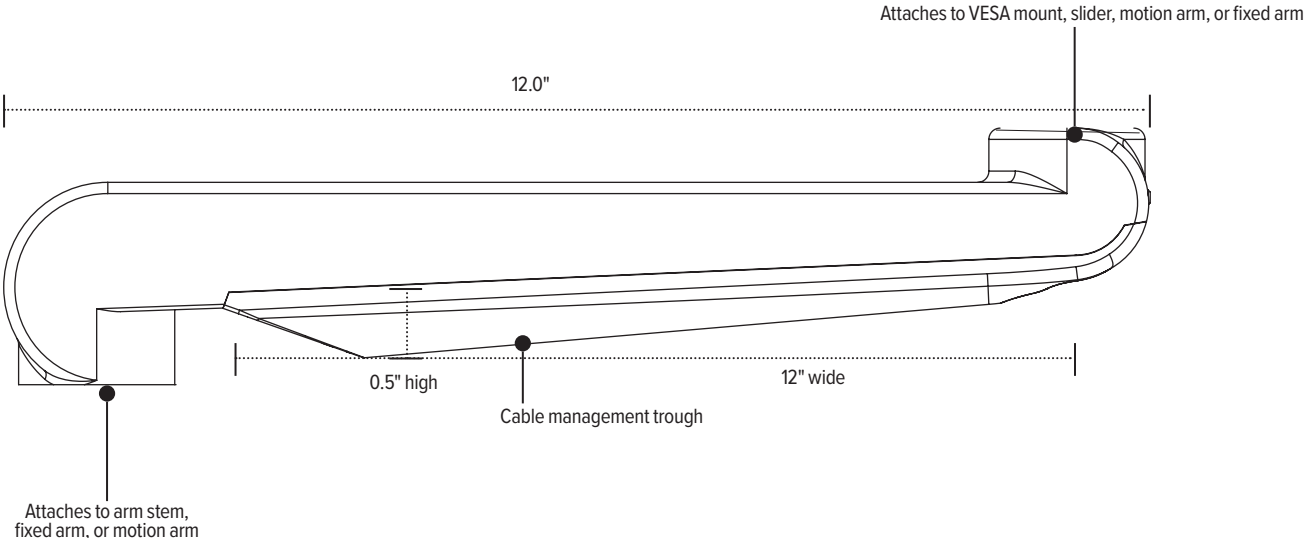
Center mounting pole

Model #
EDV-28POLE ONLY

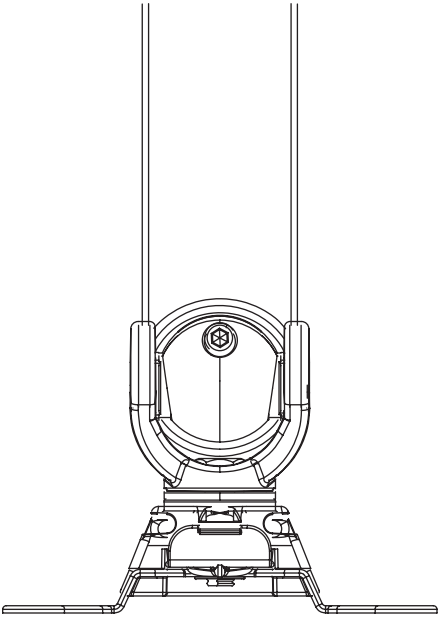
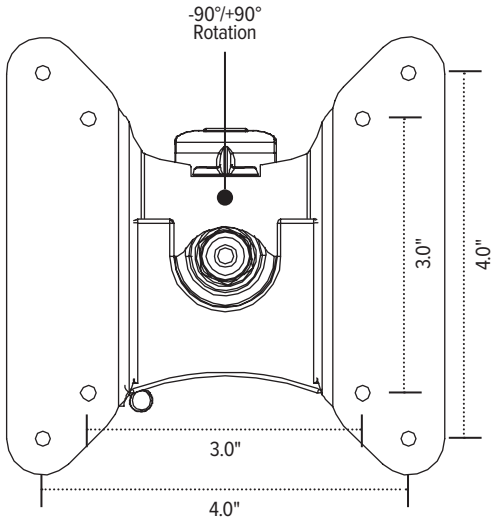
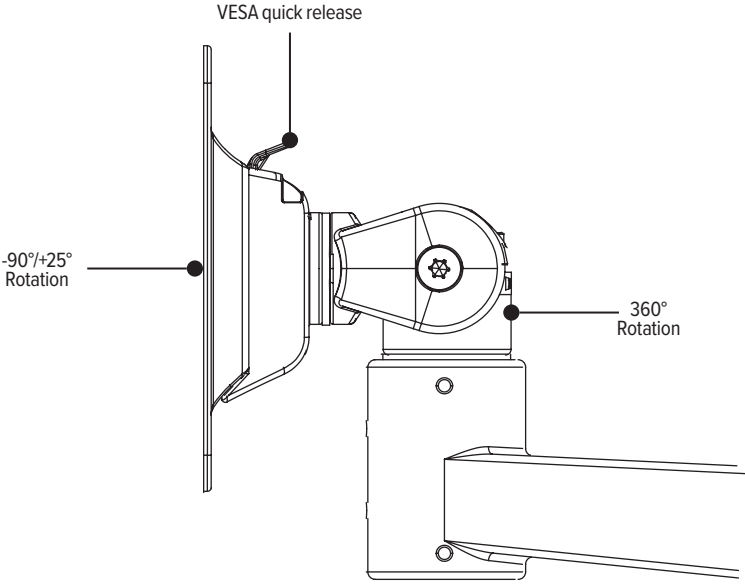
Evolve components



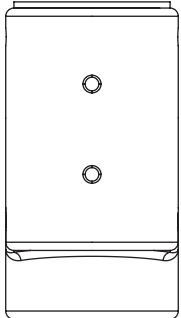
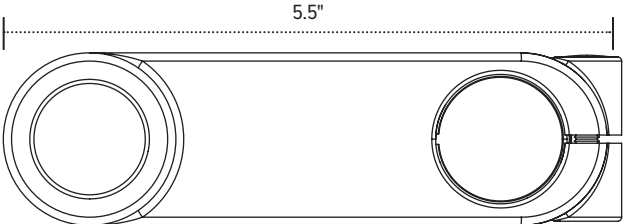
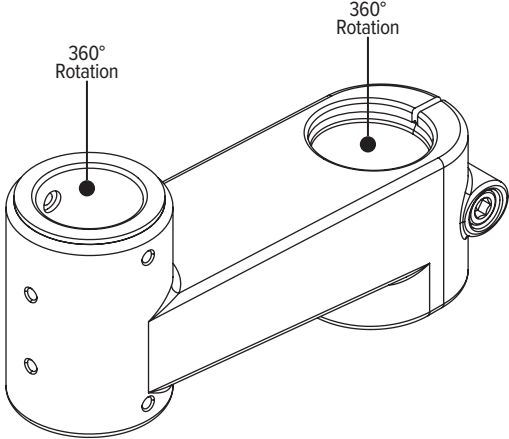
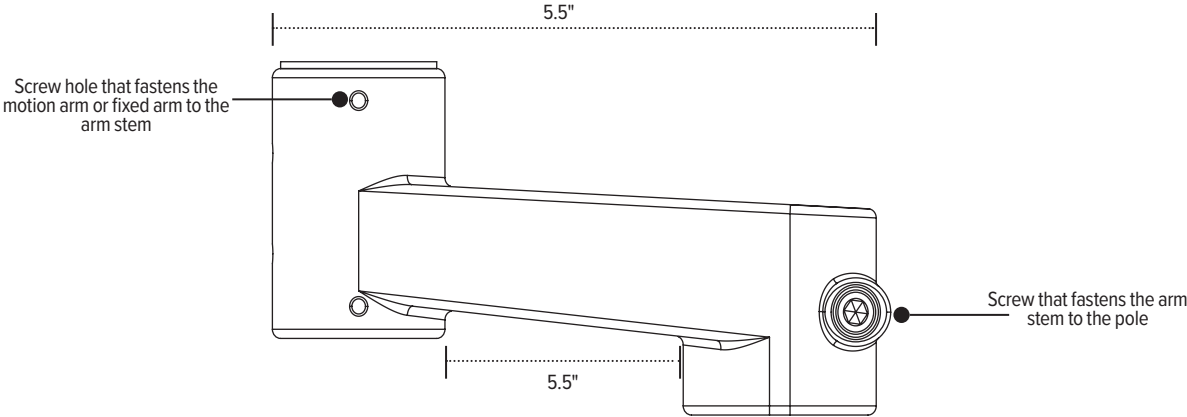
Evolve components



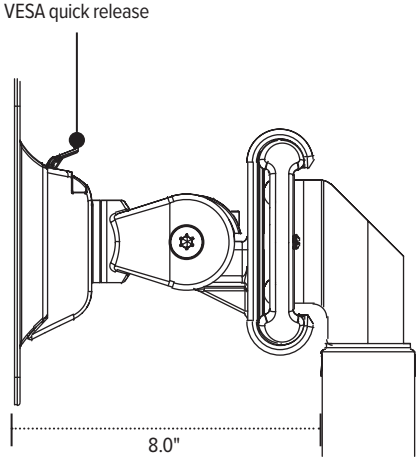
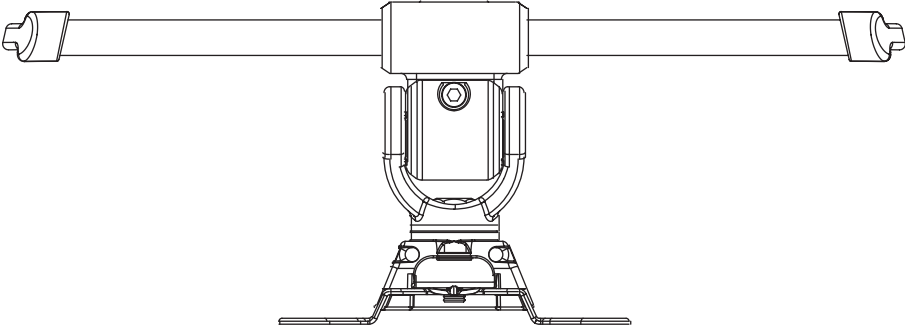
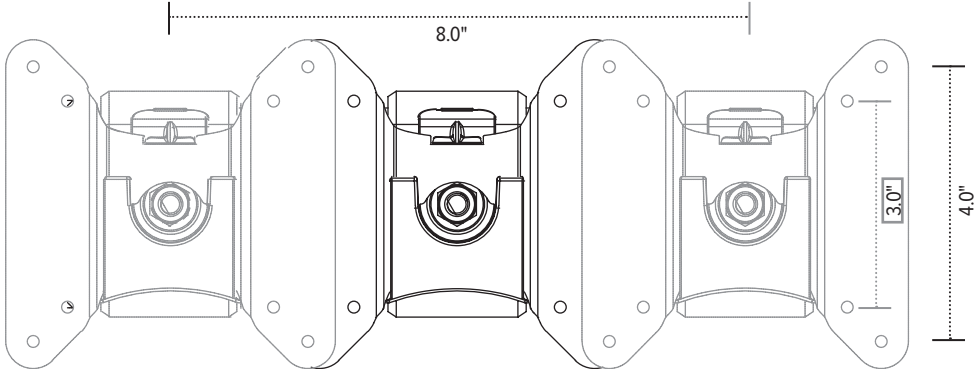
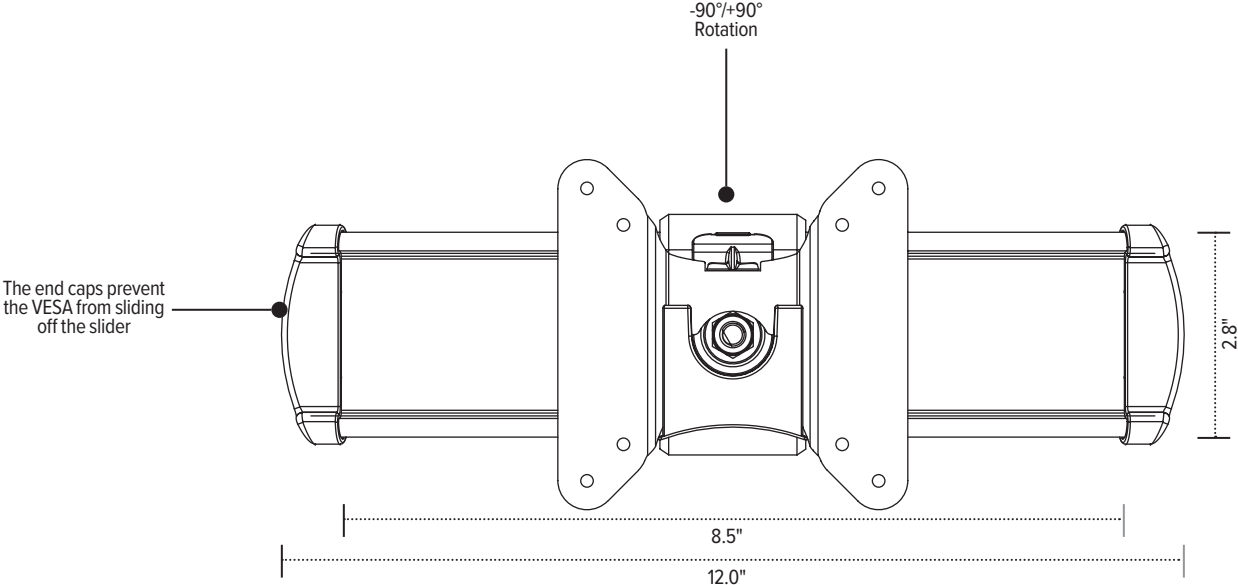
Evolve components



Evolve components



Evolve components



Evolve components

