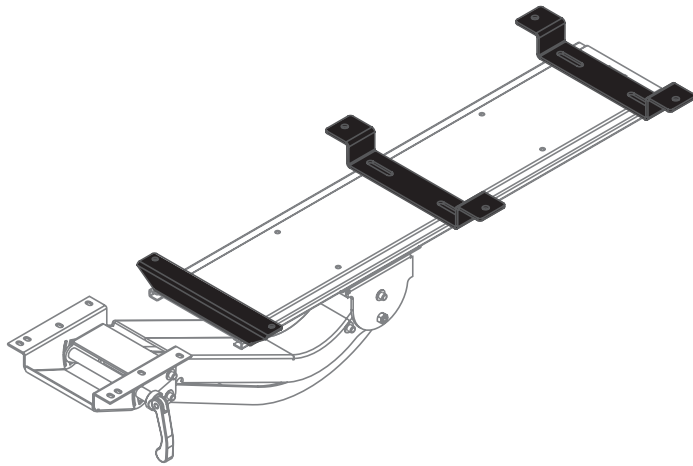


Spacer Kit

glide track accessory

Spacer Kit

glide track accessory



example of how you can add a spacer kit to an existing articulating arm

Product specs

Ideal for height adjustable tables and benching systems, the Spacer-Kit creates a flat mounting surface for keyboard arms and glide tracks where cross channels typically prevent installation.

- Compatible with most ESI keyboard arms and glide tracks*
- Attaches between underside of worksurface and a keyboard arm or glide track
- Includes mounts for benching systems and Height adjustable tables
- Powder coated steel construction
- (2) Two sets of spacers included to accommodate needed spacing between 1.0"–2.2"
- Includes installation hardware
- Warranty: 15 years



Model

SPACERKIT-KBD

*NOT COMPATIBLE WITH CPULOCK

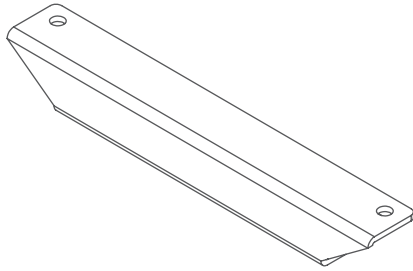
esi

800.833.3746
esiergo.com

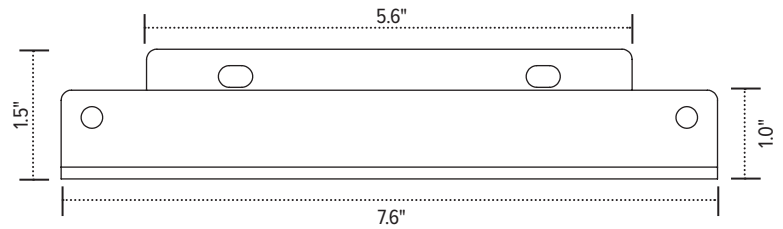
Spacer Kit

glide track accessory

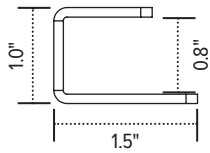
Front bracket



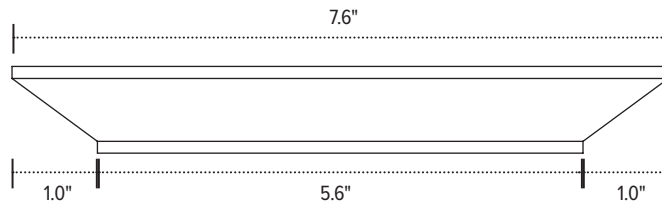
Top View



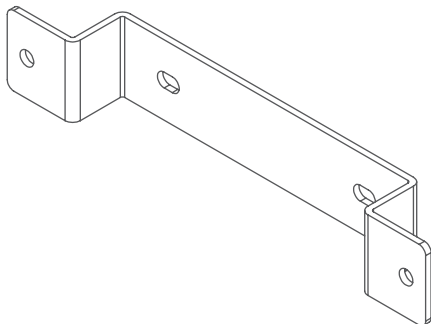
Side View



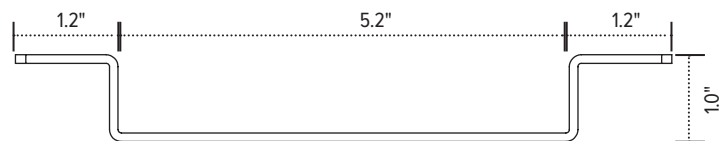
Front View



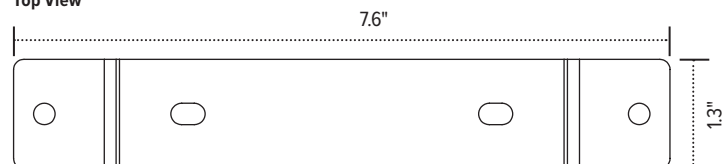
Inner bracket(s)



Side View



Top View



esi

800.833.3746
esiergo.com