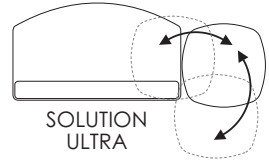


Solution Ultra

ARTICULATING ARM and
KEYBOARD PLATFORM

Model SOLUTION ULTRA

SOLUTION ULTRA Rev A 4/17



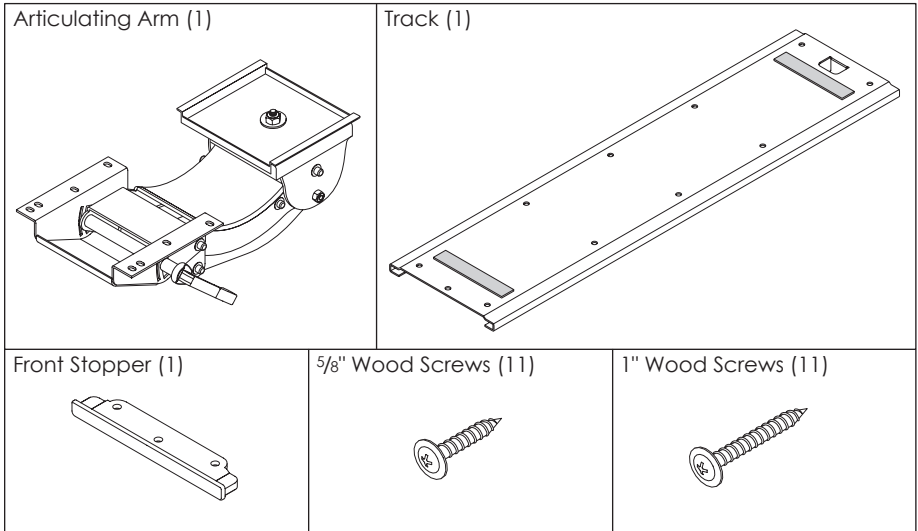
INSTALLATION AND USE

SOLUTION ULTRA

PLEASE REVIEW these instructions before beginning the installation. Check that all parts needed were provided with your order. Contact your supplier if any parts are missing. Do not discard the packaging until satisfied that the product operates to your satisfaction.

Solution Ultra combines the AA360 articulating arm with the PL217 keyboard platform. In this instruction booklet, installation of the two products will be explained in sequence, beginning with the AA360.

AA360 PARTS PROVIDED



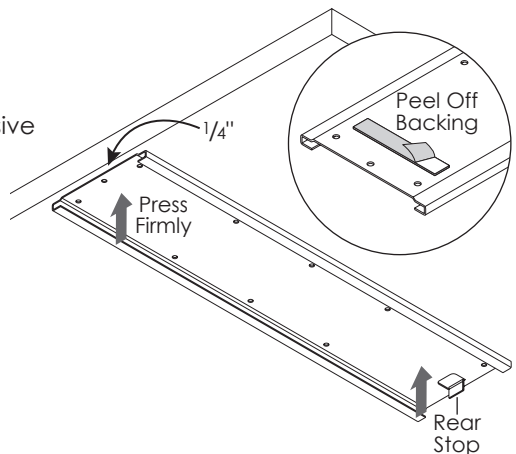
CAUTION: This install requires a power tool or cordless drill. This is **not** a handtool install.

ADDITIONAL TOOLS REQUIRED

- Drill (For Track Installation Only)
- 1/8" drill bit
- #2 Phillips drill bit

STEP 1: Adhere Track

- Peel the backing from the adhesive strips on top of the track.
- Adhere the track to the underside of the work surface.
 - Position the front edge of the track 1/4" from the front edge of the work surface. The front of the track is the end with three holes.
- Press the track firmly in place.

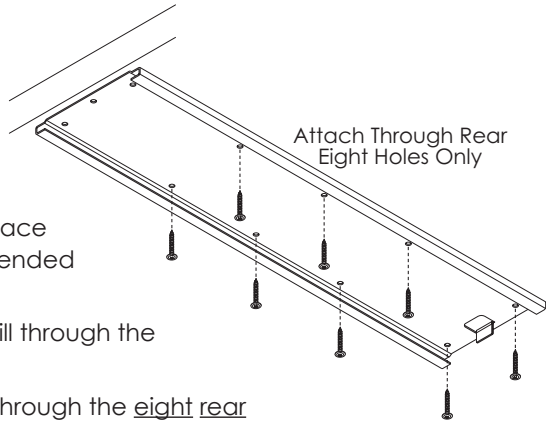


STEP 2: Attach Track

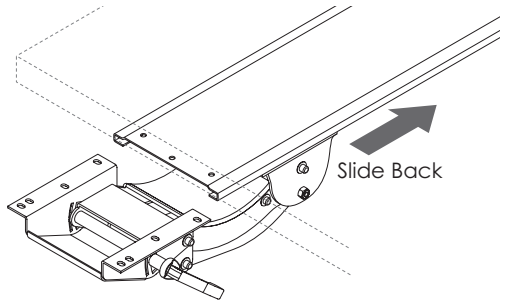
- Drill $\frac{1}{8}$ " pilot holes through all 11 holes in the track.
 - Drill the holes $\frac{5}{8}$ " deep or 1" deep, depending on which wood screws will be used. (A minimum work surface thickness of $1\frac{1}{2}$ " is recommended for the 1" screws.)

CAUTION: Be careful not to drill through the work surface.

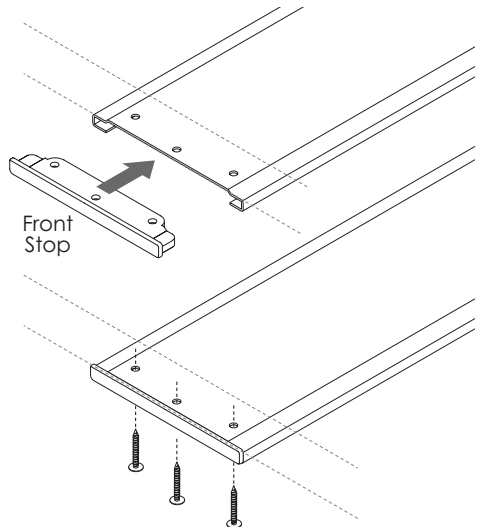
- Attach the track with screws through the eight rear holes only, as shown.

**STEP 3: Install Articulating Arm**

- Slide the articulating arm onto the track. Position it back far enough so that you have access to the front three holes on the track.

**STEP 4: Attach Front Stop**

- Position the front stop onto the front of the track and secure it with the final three wood screws.

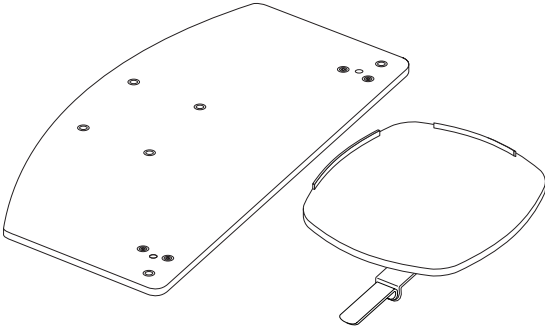
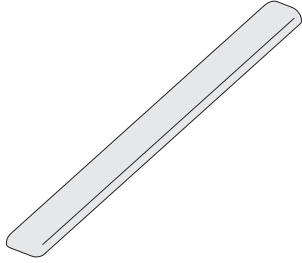



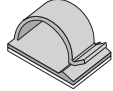


Begin keyboard installation with STEP 5 on page 4.

SOLUTION ULTRA

The keyboard platform for Solution 7 is the PL217. Its versatile mouse platform can be positioned for maximum ergonomic comfort — in direct line with the keyboard, closer to the body (mouse forward), or over the numeric keypad.

PL217 PARTS PROVIDED

Keyboard Platform and Mouse Platform (1 each)		Palm Rest (1)	
			
Flathead Screw (4)	Flange Nut (4)	Panhead Screw (2)	Cord Clips (2)
 #8-32x1/2	 #8x32	 #8-32x5/8	

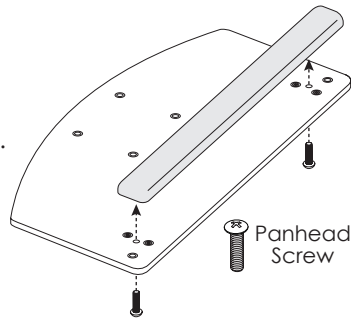
CAUTION: Hand-tighten screws only. Do **not** use power tools.

ADDITIONAL TOOLS REQUIRED

- Phillips screwdriver

STEP 5: Attach Palm Rest

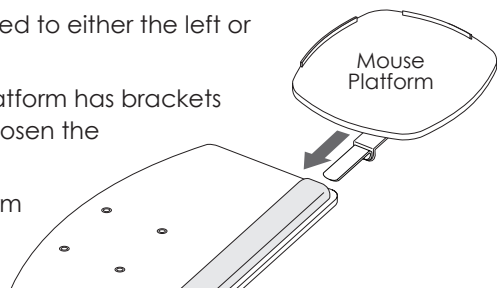
- Attach the palm rest to the keyboard platform. Use two #8-32x5/8 panhead screws and a Phillips screwdriver.



STEP 6: Attach Mouse Platform

The mouse platform may be attached to either the left or right side of the keyboard platform.

- The underside of the keyboard platform has brackets on both the left and right sides. Loosen the knob on the appropriate bracket.
- Slide the arm of the mouse platform into the bracket and tighten the knob.

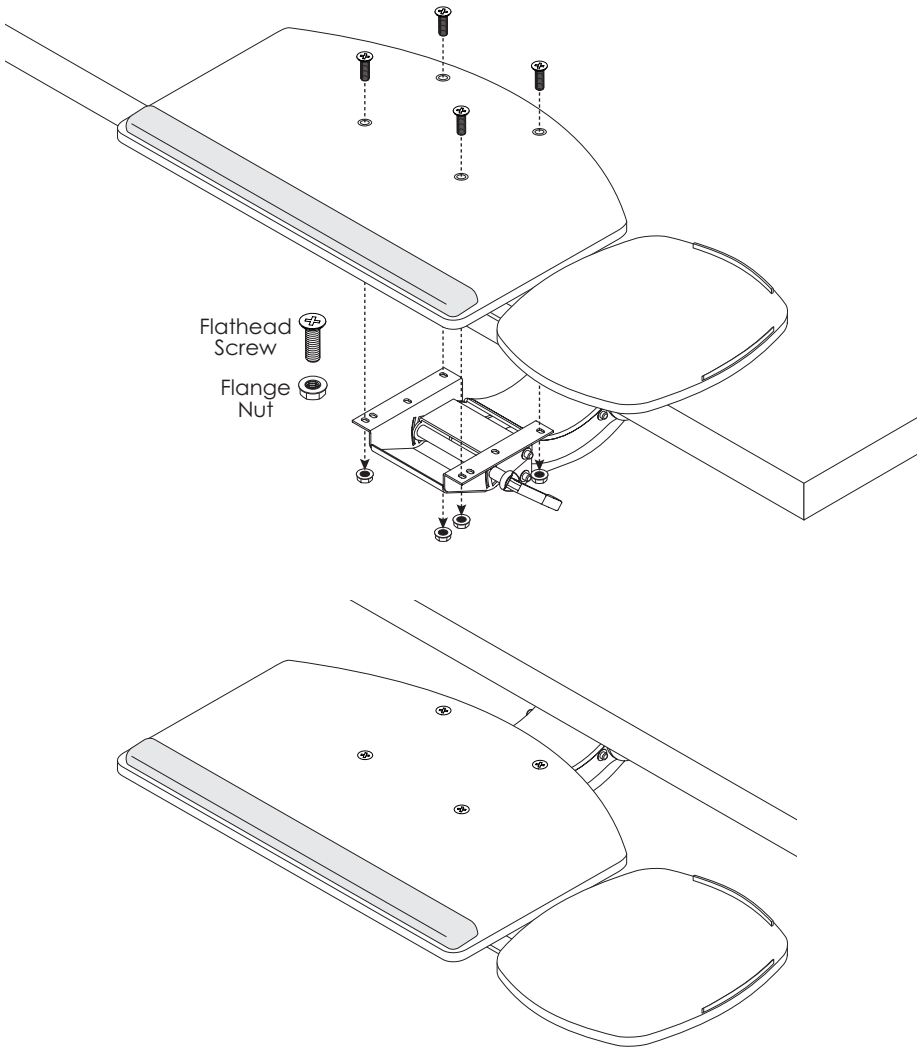


STEP 7: Attach Keyboard Platform

- Attach the keyboard platform to the keyboard arm and track assembly using the four flathead screws and flange nuts.

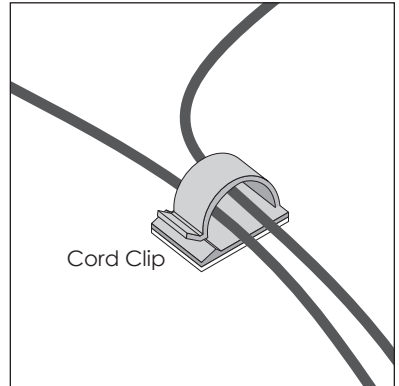
— Be sure the flange on the nuts is facing upward.

IMPORTANT: The flange nuts must be fully tightened to ensure the nuts are locked. Use a Phillips screwdriver.



STEP 7: Manage Cables

- Adhere cord clips to the underside of the keyboard platform as needed to organize the keyboard and mouse cables.



OPERATION

To Raise or Lower Keyboard:

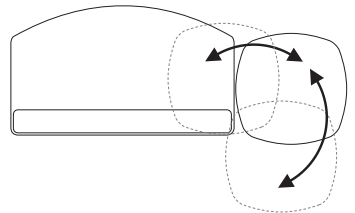
- Tip the platform up to unlock.
- Move the platform to the desired height.
- Release the platform to lock it in place.

To Set Tilt Angle:

- Unlock the quick release handle on the right side of the arm.
- Adjust the tilt angle to the desired position.
- Lock the quick release knob.

Mouse Platform:

- The mouse platform can be positioned in direct line with the keyboard, closer to the body for improved ergonomic comfort, or over the numeric keys to decrease reach.
- Depending how the arm of the mouse platform is inserted into the keyboard platform, it can be at keyboard platform height or above-platform height, depending on user preference.





800.833.3746 | esiergo.com