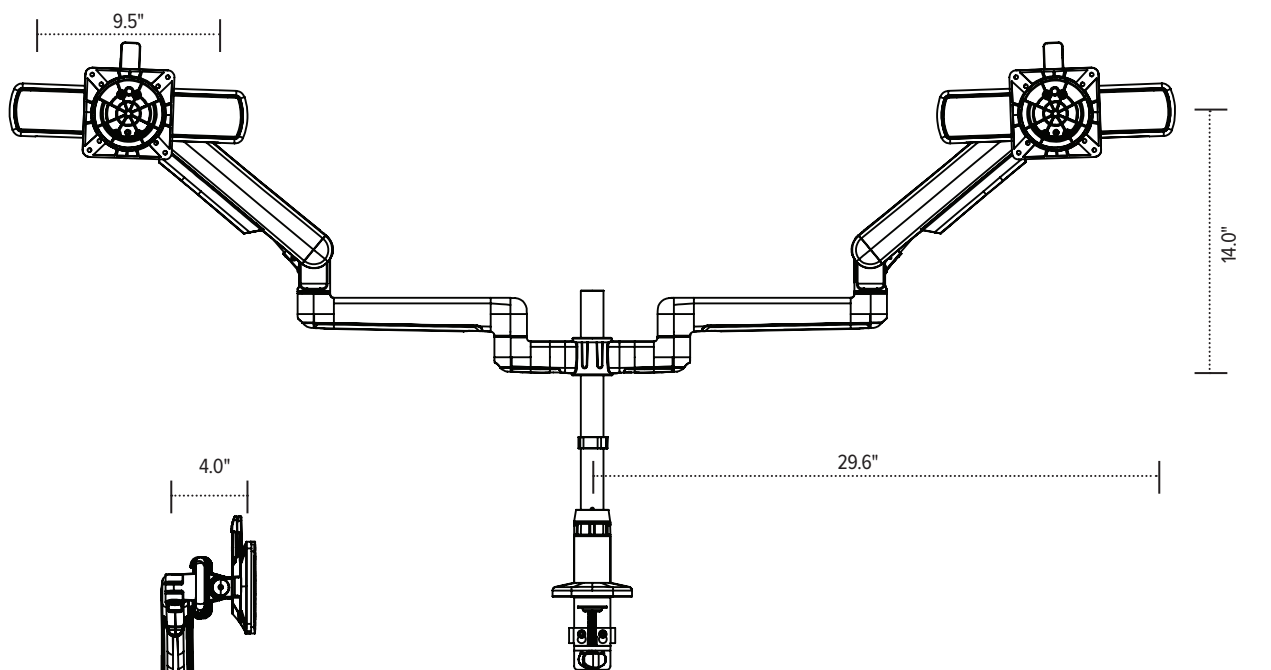
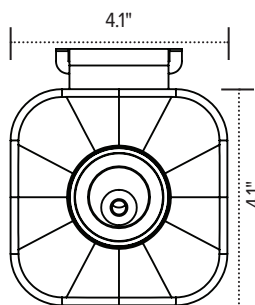


Kata™ EX2-FMS

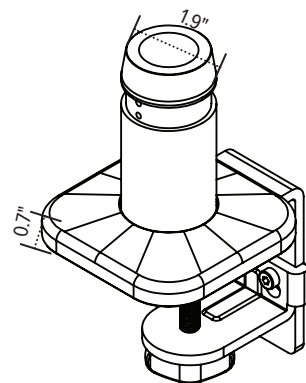
Dual fixed + motion + slider monitor arm



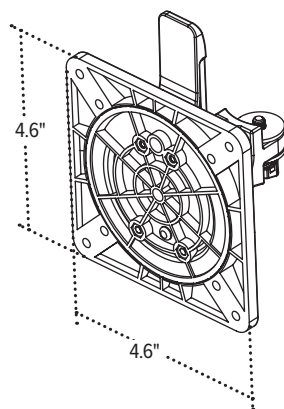
Base



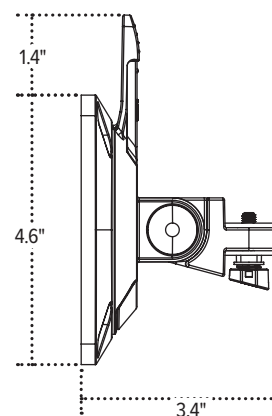
Base



VESA plate



VESA mount
(profile view)



esi

800.833.3746
esiergo.com