

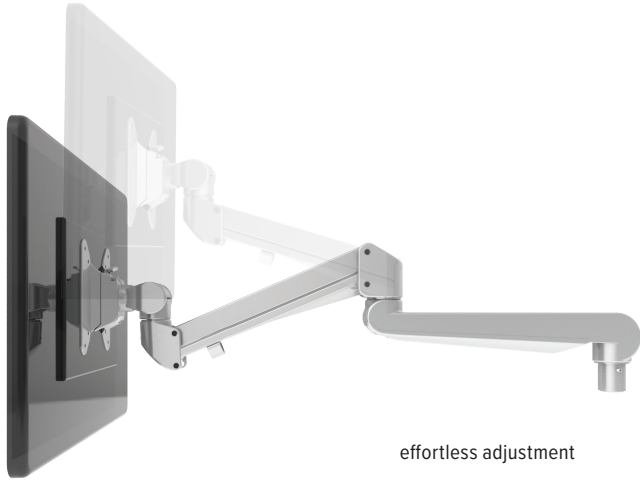
Edge[®]-Max-Dual

Heavy duty dual monitor arm

Edge-Max-Dual



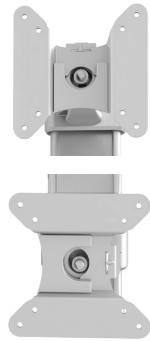
Dual monitor arm



effortless adjustment



cable management



landscape/portrait rotation



grommet mount



desk clamp

Product specs

- Finger touch dynamic height adjustment
- Recommended for worksurfaces 36.0" deep or less
- 14.16" height adjustment range
 - 9.89"-24.05" (low/high)
- 25.18" arm extension
- 4.14" arm retraction
- +85°/-35° monitor tilt
- ±90° VESA rotation
- 17.6 lb.–42.0 lb. weight capacity (*per arm*)
- VESA 75mm/100mm quick release
- 180° lock-out feature
- 360° rotation at three points
- Meets or exceeds BIFMA x5.5 and CSA CAN/CGSB44.227 guidelines
- Desk clamp and grommet mount included
- 51.18" max. monitor width
*Bezel measured left to right.
Max. width is contingent on weight capacity.*
- Warranty: 15 yr.



Model

EDGE-MAX-DUAL-SLV



VESA quick release

Edge-Max-Dual



Dual monitor arm

