

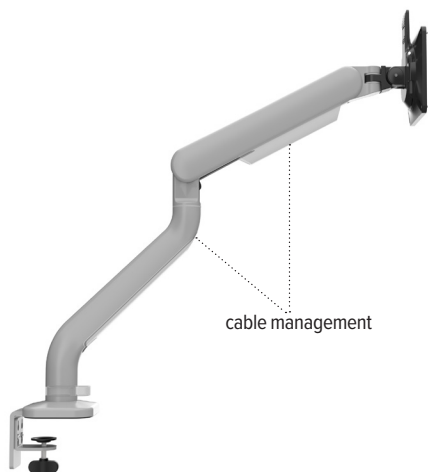


# Kata™

single monitor arm

# Kata

## single monitor arm



cable management



tension adjustment



integrated tool storage



grommet mount



clamp mount

### Product Specs

---

- Designed by Roger Webb Associates of London
- Finger touch dynamic height adjustment
- Recommended for worksurfaces 24.0"–36.0" deep
- 14.0" height adjustment range  
7.0"–21.0" (low/high)
- 21.0" arm extension
- 5.5" arm retraction
- +90°/-25° monitor tilt
- ±90° VESA rotation
- 4 lbs.–20 lbs. weight capacity
- VESA 75mm/100mm quick release
- 180° lock-out feature
- Desk clamp or grommet mount included
- Tension adjustment indicator for precision installation
- Capable of portrait and landscape orientation
- Partially assembled for quick installation
- Integrated cord management
- Integrated tool holder within the VESA plate keeping hex keys accessible
- Warranty: 15 yr.

### Model #

---

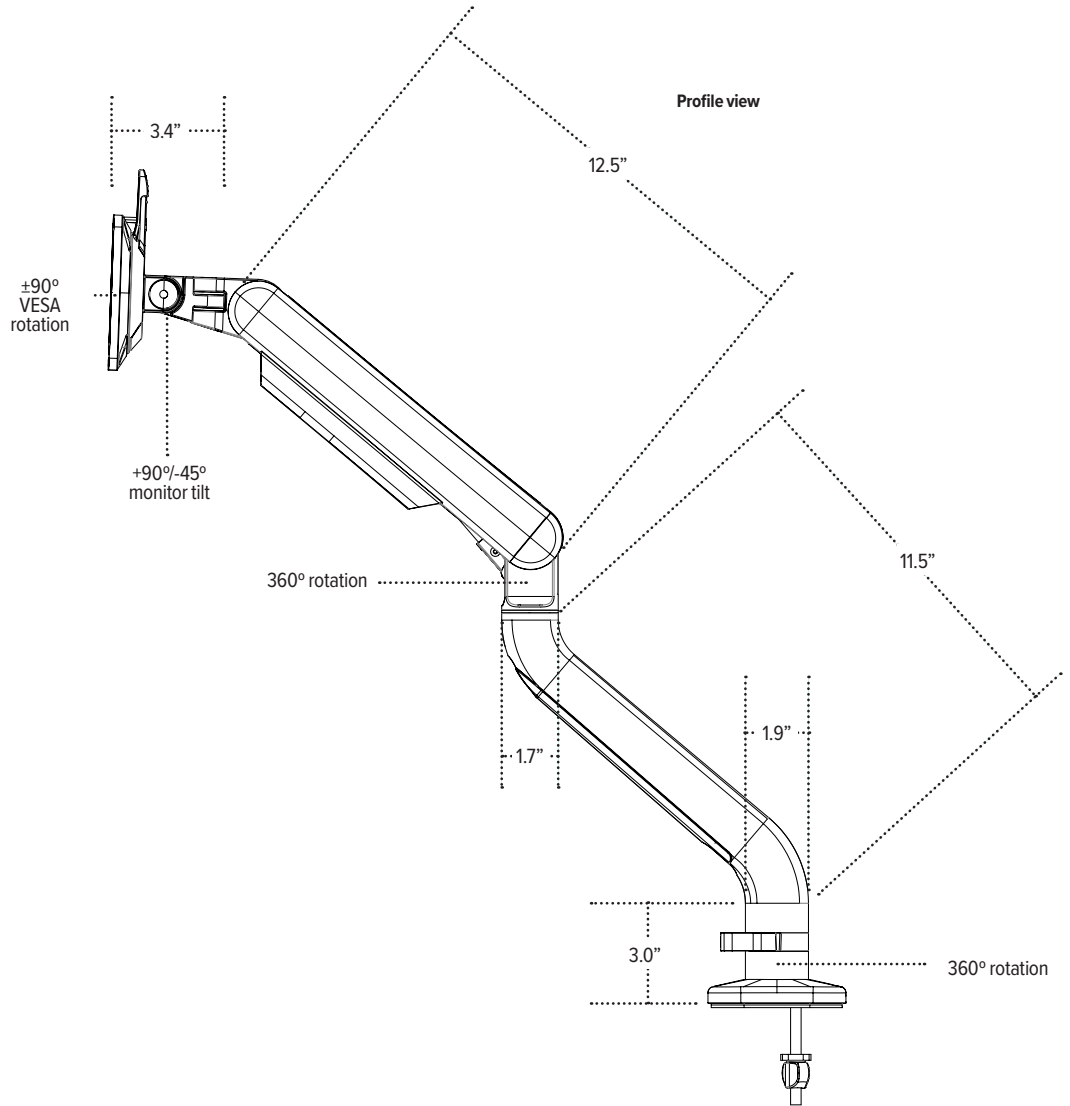
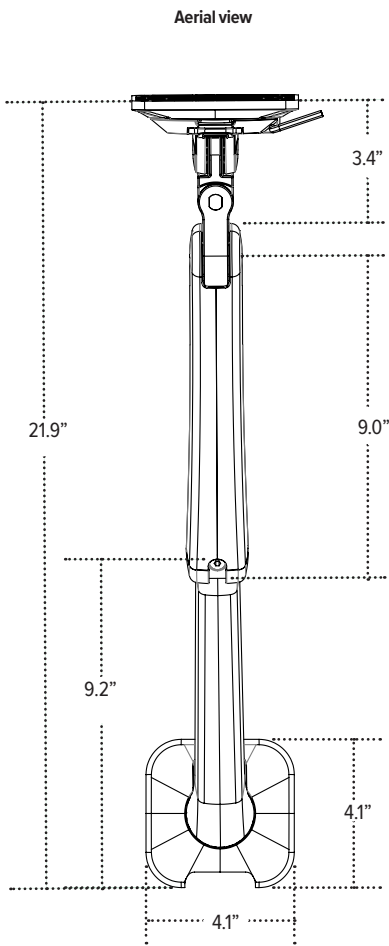
- KATA-DC-SLV
- KATA-DC-BLK
- KATA-DC-WHT
- KATA-GM-SLV
- KATA-GM-BLK
- KATA-GM-WHT

esi

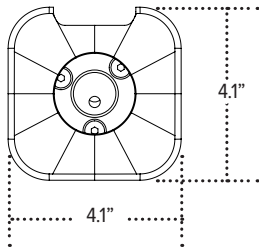
800.833.3746  
esiergo.com

# Kata

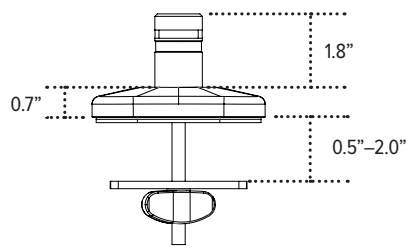
## single monitor arm



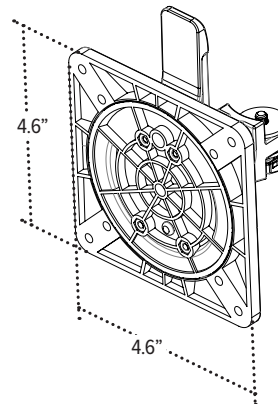
**Base (bottom view)**



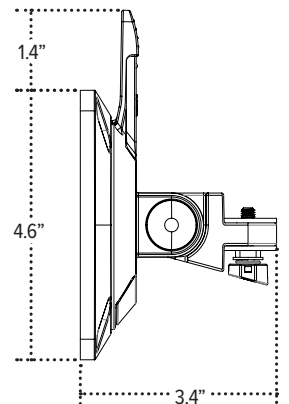
**Base (straight on view)**



**VESA Plate**



**VESA (profile view)**



**esi**

800.833.3746  
esiargo.com