

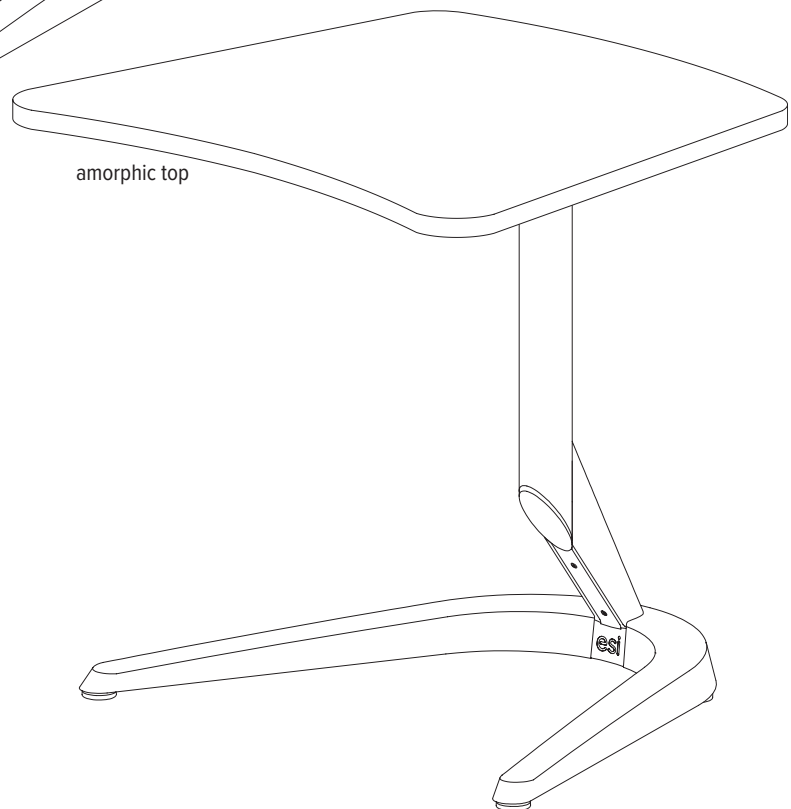
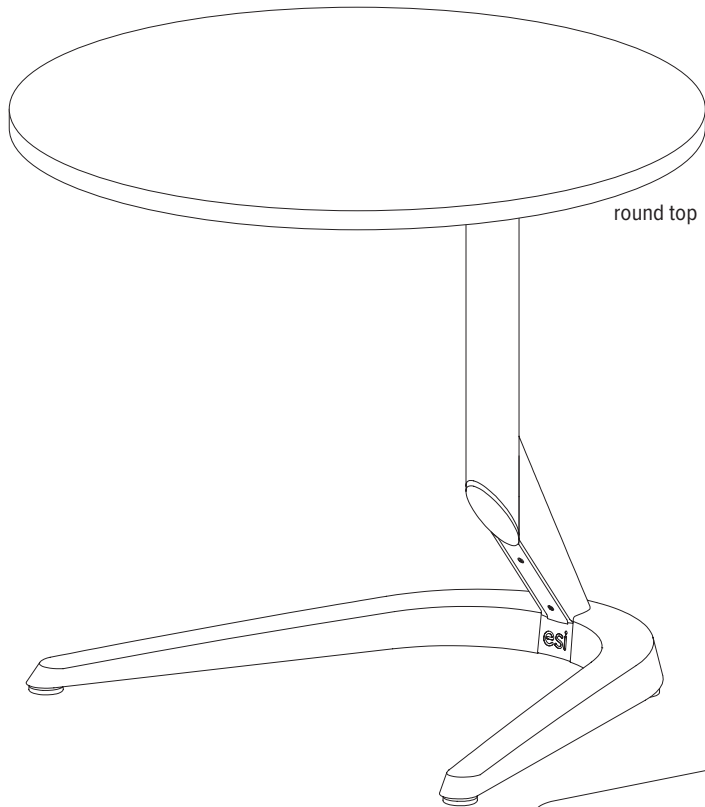
# esi

assembly instructions

# Motific™

fixed-height pedestal office table

MOTIFIC-FIXED-WW  
MOTIFIC-FIXED-BB  
MOTIFIC-FIXED-SS  
MOTIFIC-FIXED-WA  
MOTIFIC-FIXED-WS  
MOTIFIC-FIXED-WB  
MOTIFIC-FIXED-SA  
MOTIFIC-FIXED-SW  
MOTIFIC-FIXED-SB  
MOTIFIC-FIXED-BW  
MOTIFIC-FIXED-BA  
MOTIFIC-FIXED-BS

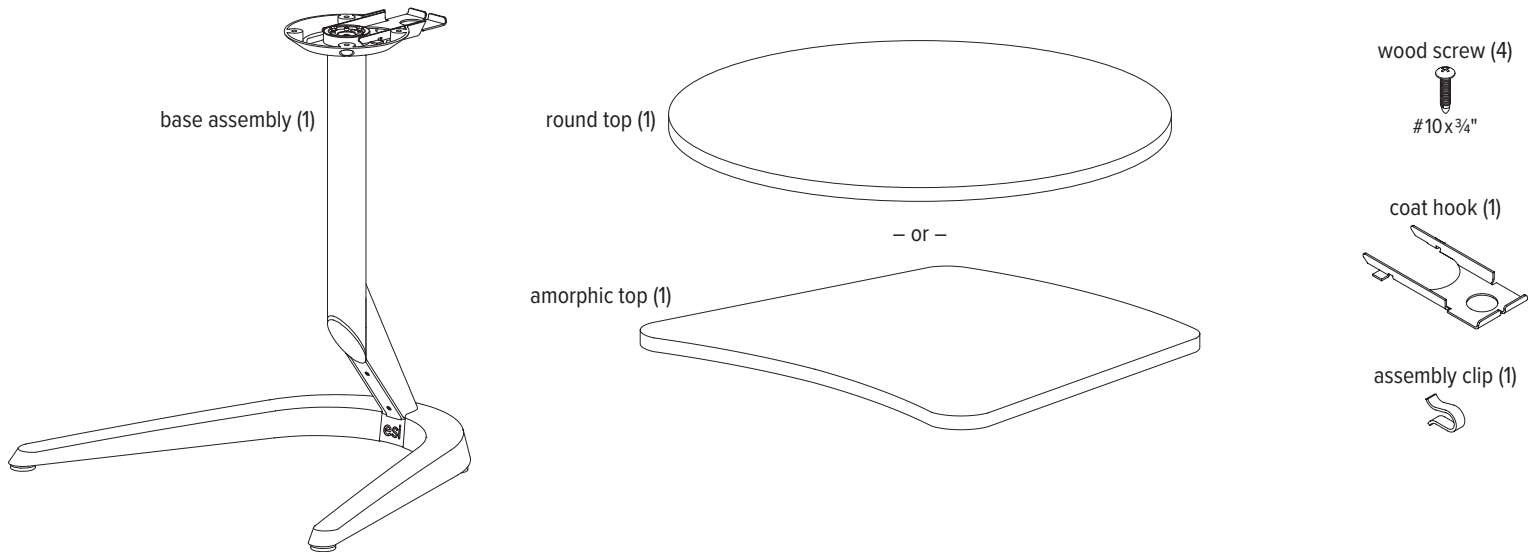




**Please review** these instructions before beginning the installation. Use the illustrations below to check that the all components needed for assembly were provided with your order. Do not discard the packaging until the product is assembled to your satisfaction.

**CAUTION:** Maximum weight capacity on table top is 25 lbs. Do not exceed this maximum weight.

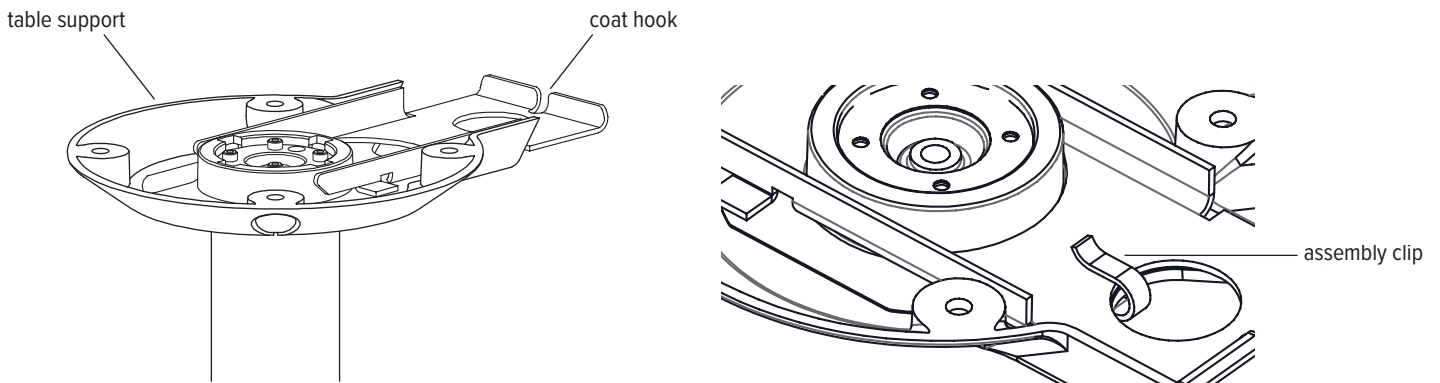
### Components



### Step #1: attach the coat hook with the assembly clip

If the coat hook and clip are already installed, proceed to step 2.

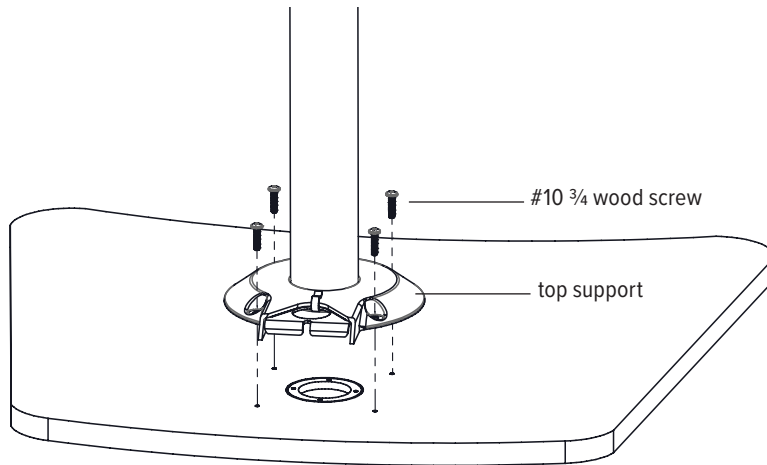
- Place the coat hook in position on the table support, as shown below left.
- Install the assembly clip to hold the hook in place while the work surface is installed, as shown below right.





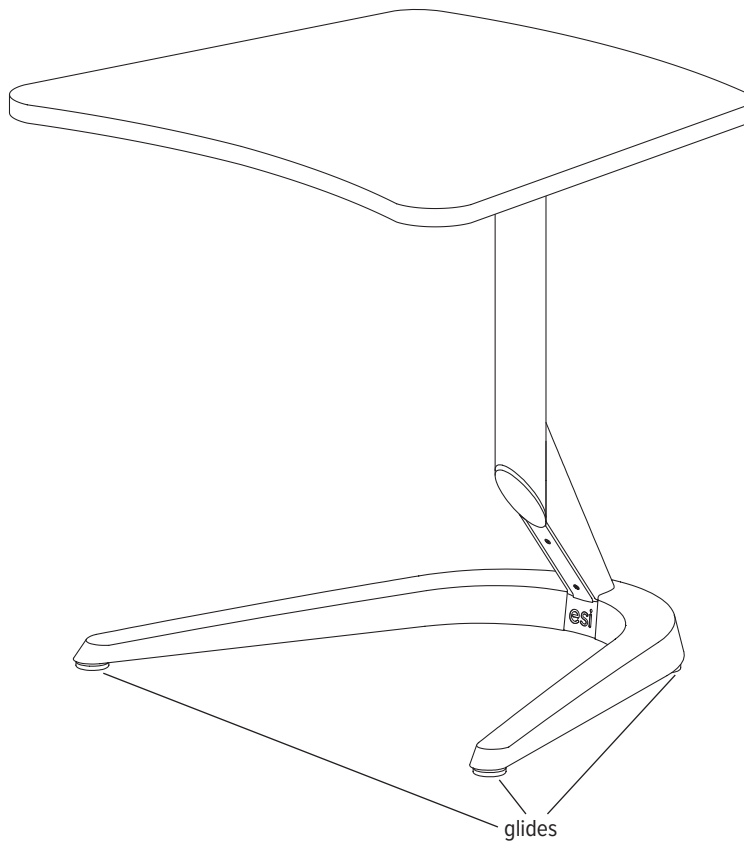
### Step #2: screw base to table top

- Place the table top facing down on a soft, clean surface.
- Turn the base assembly upside down and align its mounting holes with the holes in the table.
- Fasten the base assembly to the table using the four #10x3/4" wood screws.
- Turn the table right side up.



### Step #3: turn the assembled table upright

- Turn the table upright and place it in its final position.





# Motific™

## fixed-height pedestal office table

Please contact Customer Service with any questions or comments at 800.833.3746 or visit our website at [esiergo.com](http://esiergo.com)

### **ESI MOTIFIC™ LIMITED WARRANTY**

ESI (the "Company") warrants the Motific™ ("Product") to be free from defects in material and workmanship appearing within five (5) years from the date of the original purchase of the product. If such a defect appears during the warranty period, the Company will (at its sole option) either repair or replace the defective product with no charge for service or parts or refund the purchase price.

This warranty applies only to the initial retail purchaser and does not cover claims resulting from misuse, failure to follow instructions on installation and use, neglect, use of unauthorized attachments, commercial use, use on a current or voltage other than specified on the product, or unauthorized service during the warranty period on conditions otherwise covered by warranty.

THE DURATION OF ANY IMPLIED WARRANTIES, INCLUDING BUT NOT LIMITED TO ANY IMPLIED WARRANTIES OF MERCHANTABILITY OR FITNESS FOR A PARTICULAR PURPOSE, IS EXPRESSLY LIMITED TO THE DURATION OF THIS LIMITED WARRANTY.

UNLESS REQUIRED BY APPLICABLE LAW, THE CUSTOMER'S EXCLUSIVE REMEDY FOR BREACH OF THIS WARRANTY OR ANY IMPLIED WARRANTY OR OF ANY OTHER OBLIGATION ARISING BY OPERATION OF LAW OR OTHERWISE SHALL BE LIMITED AS SPECIFIED HEREIN TO REPAIR, REPLACEMENT OR A REFUND OF THE PURCHASE PRICE, AT THE COMPANY'S SOLE OPTION.

UNDER NO CIRCUMSTANCE WILL THE COMPANY, ITS AFFILIATES, SUBSIDIARIES, RELATED ENTITIES, RESELLERS OR THEIR RESPECTIVE OFFICERS, DIRECTORS OR EMPLOYEES OR THOSE PERSONS FOR WHOM THEY ARE BY LAW RESPONSIBLE, BE LIABLE FOR CONSEQUENTIAL OR INCIDENTAL DAMAGES SUSTAINED IN CONNECTION WITH THE PRODUCT. THE COMPANY AND THESE OTHER PARTIES DO NOT ASSUME OR AUTHORIZE ANY REPRESENTATIVE OR OTHER PERSON TO ASSUME FOR ANY OF THEM ANY OBLIGATION OR LIABILITY OTHER THAN AS IS EXPRESSLY SET FORTH HEREIN.

The duration, terms and conditions of this warranty are valid worldwide, except where different limitations, restrictions or conditions may be required by local law.

To make a warranty claim, contact ESI at 800-833-3746 or [customerservice@esiergo.com](mailto:customerservice@esiergo.com). You must provide proof of purchase, such as the original purchase order number.