



# All-Flex<sup>®</sup> 2-leg + Worksurface

electric table base bundle

# All-Flex 2-leg + worksurface

electric table base bundle

## Rectangle



Dimensions	Base model	List price
36" w x 24" d	2R3624-__-FLEX2-SLV	\$1,946
48" w x 24" d	2R4824-__-FLEX2-SLV	\$1,944
60" w x 24" d	2R6024-__-FLEX2-SLV	\$2,032
36" w x 30" d	2R3630-__-FLEX2-SLV	\$1,977
48" w x 30" d	2R4830-__-FLEX2-SLV	\$2,027
60" w x 30" d	2R6030-__-FLEX2-SLV	\$2,106
72" w x 24" d	2R7224-__-FLEX2-SLV	\$2,078
72" w x 30" d	2R7230-__-FLEX 2-SLV	\$2,129

Specify laminate code. See laminate guide for details.

**Casters model #** CASTERKIT-FLEX2 \$67

## All-Flex features

top support at 19.3"



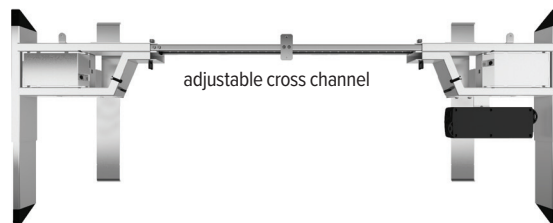
top support at 23.3"



foot at 28.0"



foot at 22.0"



adjustable cross channel

## Product specs

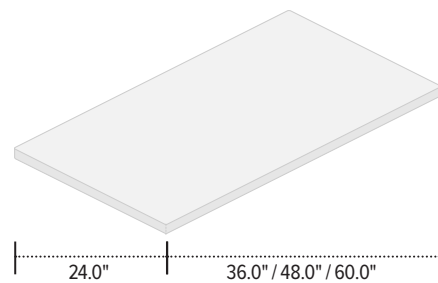
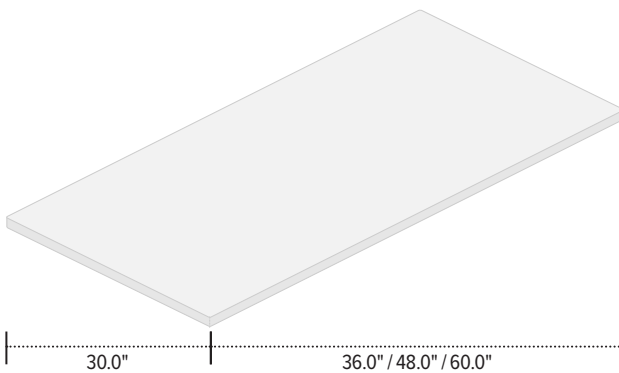
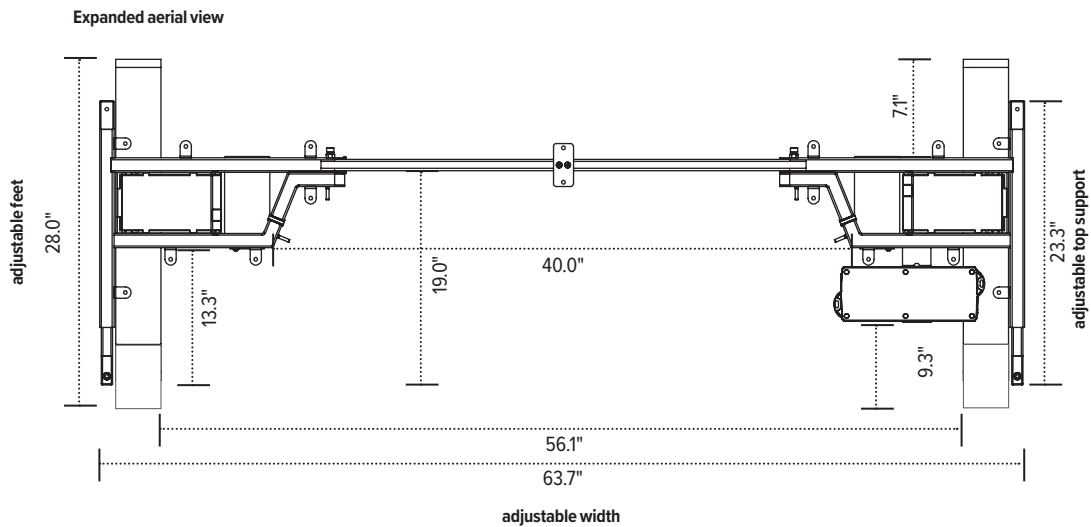
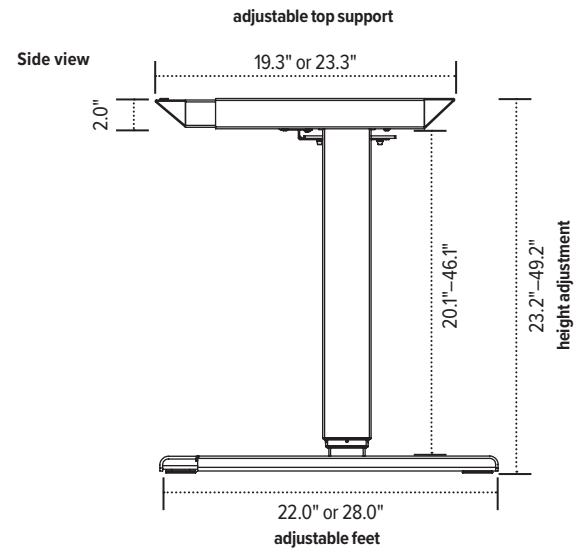
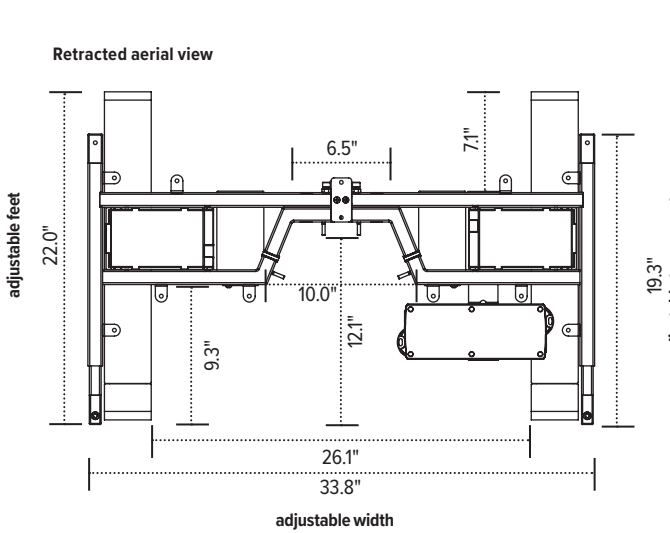
- Electric height adjustment
- 265 lbs. base lifting capacity
- 1.5"/sec adjustment speed
- One part number for all 2-leg sizes
- 26.0" height adjustment range
  - 23.2"–49.2" (low/high) (excluding worksurface)
- Three-stage adjustable legs
- Provides adjustable cross channels, top support, and feet making it one of the most adjustable table bases on the market.
- Foot is adjustable to 22.0" or 28.0" (patented design)
- Adjustable width frame to fit worksurfaces 36.0"–84.0" wide
- Adjustable depth top support expands to accommodate worksurfaces 24.0"–36.0" deep
- Notched cross channel offers ample space for keyboard tray glide tracks
- 86.0" power cord
- Digital keypad with four memory settings
- Anti-collision safety feature
- Quick start
- Crossbar includes guide markings to assist in setting width
- Folding frame design for quick assembly
- Integrated control unit shelf
- Integrated storage for foot extension plate when not in use
- Integrated cable management
- Quiet adjustment
- Steel frame and foot construction
- Low standby power consumption
- Table base is UL962 listed
- Lead free
- Two motors
- ADA compliant
- Locking casters are available
- Warranty: 15 yrs. (structural) / 7 yrs. (mechanical)

esi

800.833.3746  
esiergo.com

# All-Flex 2-leg + worksurface

electric table base bundle



esi

800.833.3746  
esiergo.com