

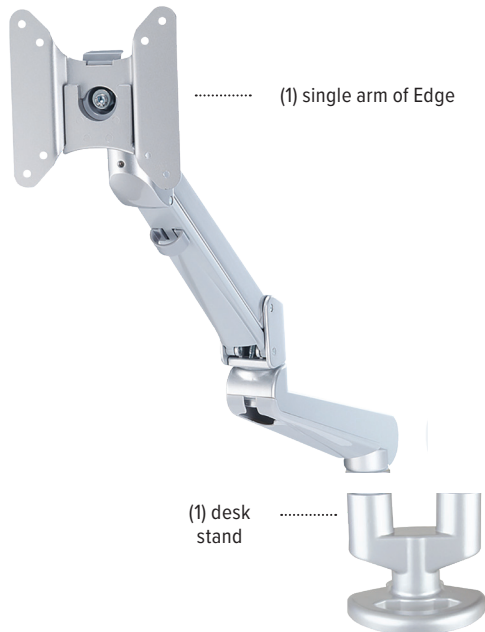
Edge2kit[®]

conversion kit

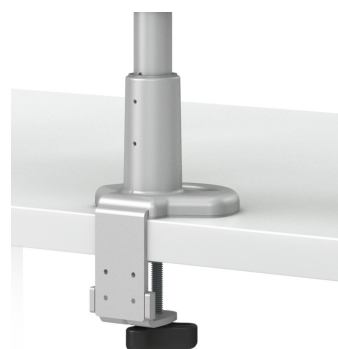
Edge2kit

conversion kit

Kit includes:



(1) grommet mount



(1) clamp mount

Product specs

Converts an existing Edge single monitor arm to an Edge dual monitor arm

- Kit includes:
 - (1) one single arm
 - (1) one desk stand
 - (1) one clamp and grommet mount
- Finger touch dynamic height adjustment
- Recommended for worksurfaces 24.0"–36.0" deep
- 12.0" height adjustment range
 - 7.0"–19.0" (low/high)
- 22.0" arm extension
- 4.0" arm retraction
- $\pm 90^\circ$ monitor tilt
- $\pm 90^\circ$ VESA rotation
- 6.5 lbs.–17.6 lbs. weight capacity (*per arm*)
- VESA quick release
- 180° lock-out feature
- Desk clamp and grommet mount included
- 32.0" max. monitor width (*bezel measured left to right*)
- Exceeds BIFMA x5.5 requirements
- Benching system mount(s) available. Call the Customer Service Dept for details
- Warranty: 15 yr.



Model

List price

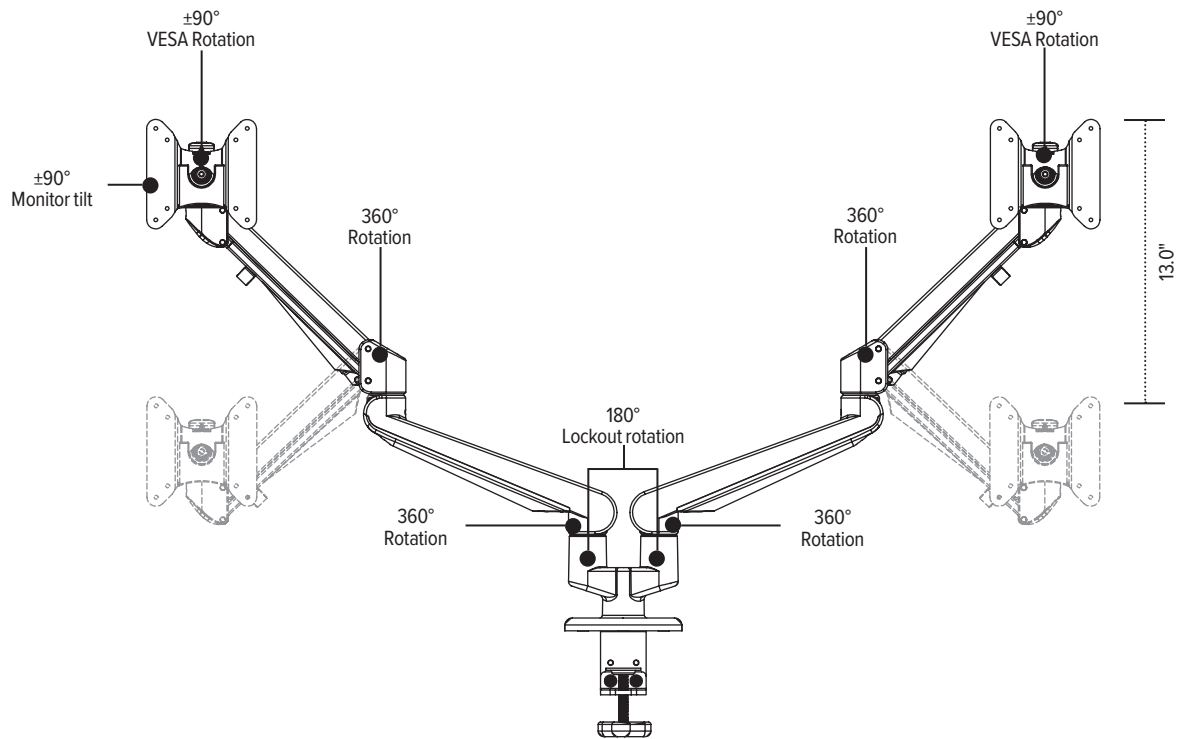
EDGE2KIT-SLV \$364

esi

800.833.3746
esiergo.com

Edge2kit

conversion kit



esi

800.833.3746
esiergo.com