

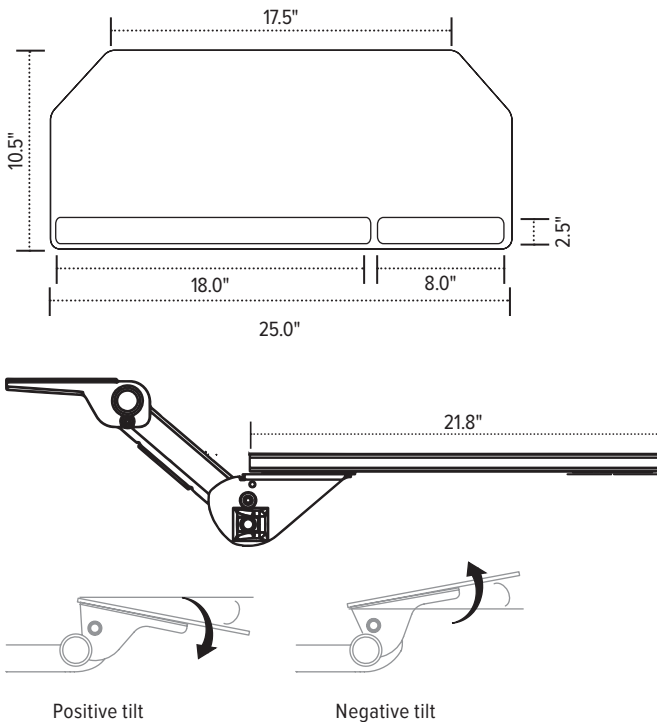
Solution 90

Keyboard platform combo

Solution 90

Keyboard platform combo

esi®



Product specs

- Recommended for 90° corners worksurfaces only
- PL003CC-25 keyboard platform
- 25.0" cut corner keyboard platform
- Accommodates left or right-handed users
- AA355DS articulating arm
- Lift-and-lock height adjustment with dual swivel adjustment
- 21.8" glide track
- 22.0" clearance required for full retraction
- +10°/-15° tilt
- 9.3" height adjustment range
 - 3.4" above track | 5.9" below track
- 360° rotation
- Positions flush with worksurface
- Warranty: 15 yr. (articulating arm/platform)
2 yr. (palm rest/mouse pad)



*Available in R-Series as a cut corner platform only. Contact the Customer Service Department for more details. R-Series Platforms are composed of 100% post-consumer materials, making them completely recyclable. They are free of formaldehydes and carcinogens and emit no VOC's (Volatile Organic Compounds).

Model

List price

SOLUTION90

\$666

800.833.3746
esiergo.com

Fellowes | FAMILY BUSINESS
SINCE 1917

© 2021 Fellowes, Inc. V35 catalog prices. All prices are in U.S. dollars.