



Kata™ EX3-FMS

Triple fixed + motion + slider monitor arm

Kata™ EX3-FMS

Triple fixed + motion + slider monitor arm



tension adjustment



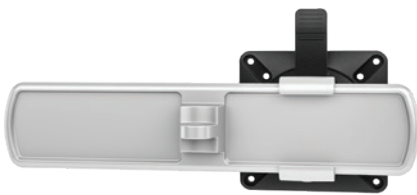
integrated tool storage



grommet mount



desk clamp



slider mount



connection sleeve

Product specs

- Finger touch dynamic height adjustment
- Recommended for worksurfaces 24.0"–36.0" deep or corner applications
- 24.9" outside arm extension
- 8.5" center arm extension
- 4.0" arm retraction
- +90°/-45° monitor tilt
- ±90° VESA rotation
- 16.0" pole height
- 4.0 lb.–20.0 lb. weight capacity (*middle arm*)
4.0 lb.–18.5 lb. weight capacity (*outside arm*)
- VESA 75mm/100mm quick release
- 180° lock-out feature
- Includes a grommet mount or a desk clamp mount
- Slider provide 9.5" of additional horizontal adjustability
- Tension adjustment indicator for precision installation
- Each connection sleeve can accommodate up to three monitors depending on the configuration
- Partially assembled for quick installation
- Integrated cord management
- Integrated tool holder
- Exceeds ANSI/BIFMA x5.5 requirements
- 28.5" max. monitor width
*Bezel measured left to right,
Max width is contingent on weight capacity*
- Warranty: 15 yr.
- Designed for ESI by Roger Webb Associates of London, England

Model #	List price
○ KATAEX3-DC-FMS-SLV	\$1,146
● KATAEX3-DC-FMS-BLK	\$1,146
○ KATAEX3-DC-FMS-WHT	\$1,146
○ KATAEX3-GM-FMS-SLV	\$1,146
● KATAEX3-GM-FMS-BLK	\$1,146
○ KATAEX3-GM-FMS-WHT	\$1,146

KataEX monitor arm key

F - Fixed monitor arm

M - Motion monitor arm

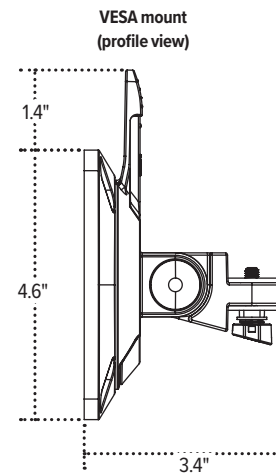
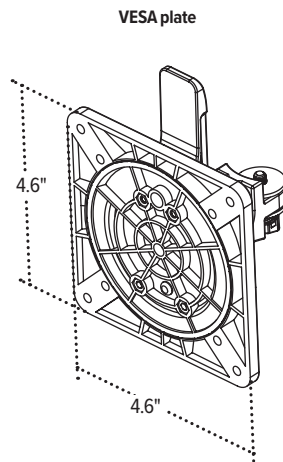
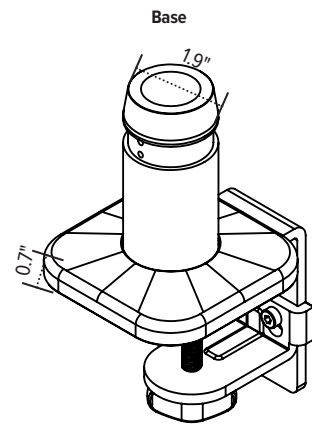
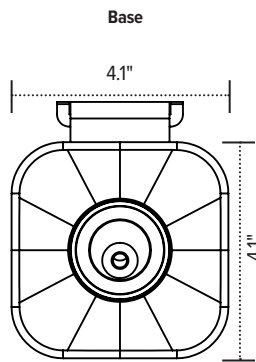
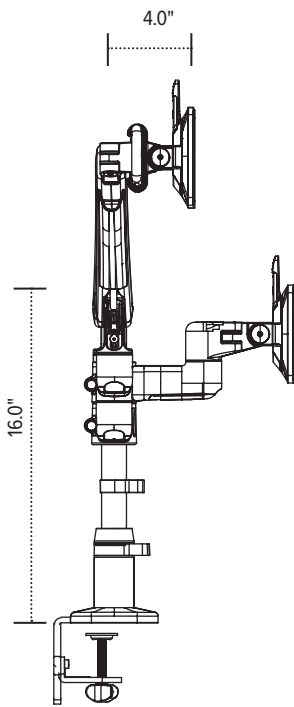
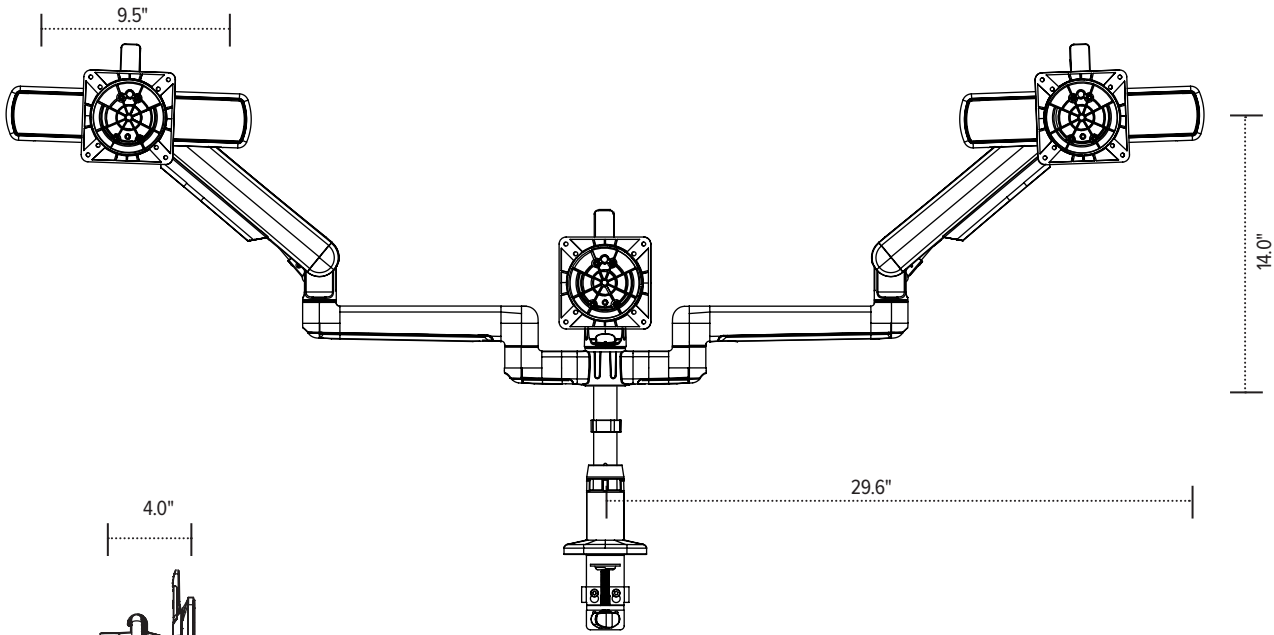
S - Slider mount

esi

800.833.3746
esiergo.com

Kata™ EX3-FMS

Triple fixed + motion + slider monitor arm



esi

800.833.3746
esiergo.com