

## AA260

ARTICULATING KEYBOARD ARM

Model AA260

AA260 Rev A 4/17

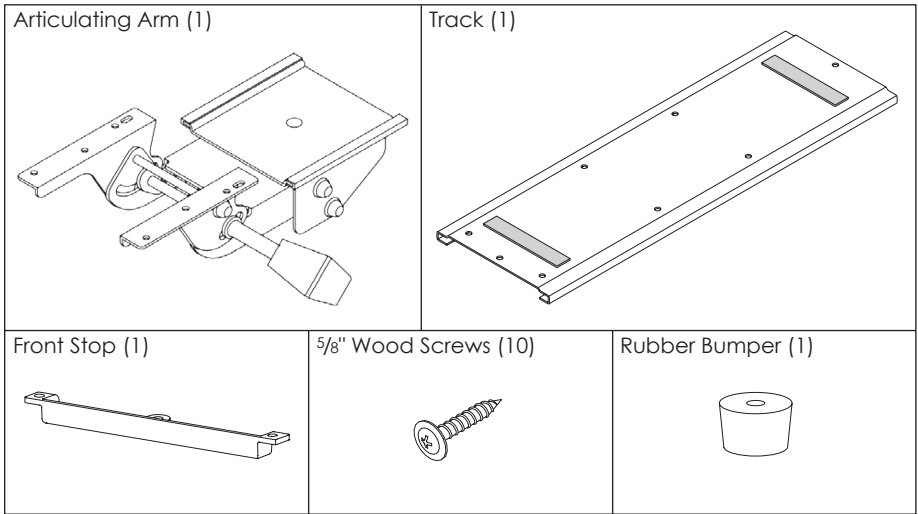


# INSTALLATION AND USE

## AA260 ARTICULATING KEYBOARD ARM

**PLEASE REVIEW** these instructions before beginning the installation. Check that all parts needed were provided with your order. Contact your supplier if any parts are missing. Do not discard the packaging until satisfied that the product operates to your satisfaction.

### PARTS PROVIDED



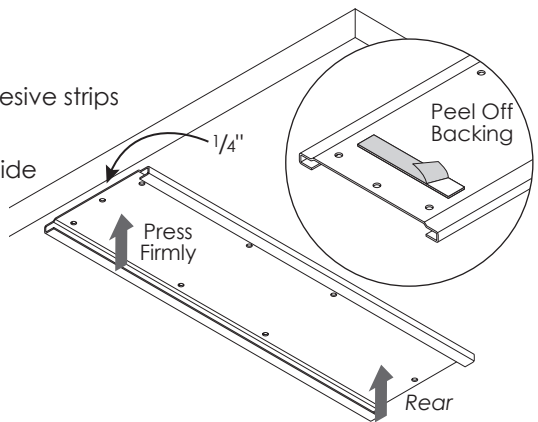
**CAUTION:** This install requires power tool or Cordless Drill. This is **not** a hand tool install.

### ADDITIONAL TOOLS REQUIRED

- Drill with 1/8" bit
- #2 Phillips Screw Driver Bit

### STEP 1: Adhere Track

- Peel the backing from the adhesive strips on top of the track.
- Adhere the track to the underside of the work surface.
  - Position the front edge of the track 1/4" from the front edge of the work surface. The front of the track is the end with three holes.
- Press the track firmly in place.

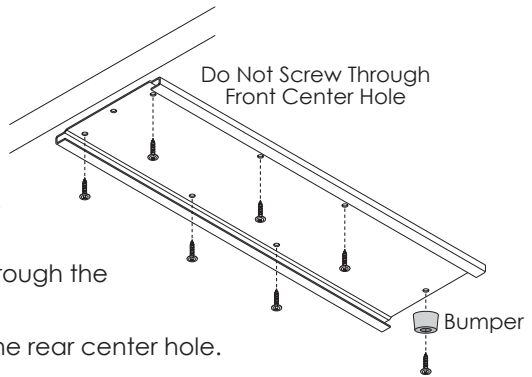


**STEP 2: Attach Track**

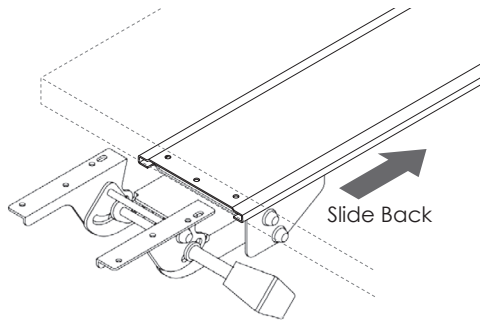
- Drill  $\frac{1}{8}$ " pilot holes through all eight holes in the track.  
— Drill the holes  $\frac{5}{8}$ " deep.

**CAUTION:** Be careful not to drill through the top of the work surface.

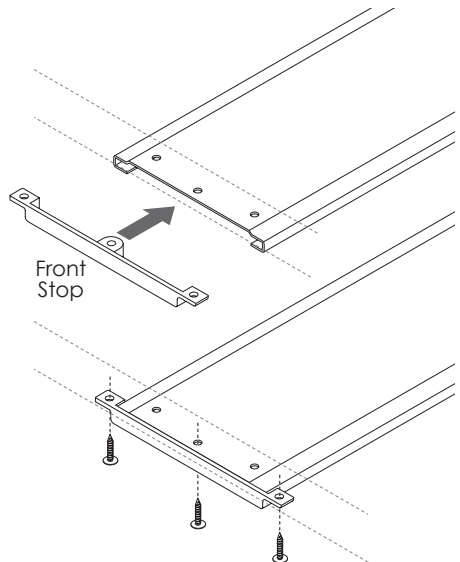
- Attach the track with screws through the six side holes first.
- Attach the rubber bumper at the rear center hole.
- Do not screw through the front center hole at this time.

**STEP 3: Install Articulating Arm**

- Slide the articulating arm onto the track. Position it back far enough so that you have access to the front center hole on the track.

**STEP 4: Attach Front Stop**

- Position the front stop onto the front of the track and secure it with a screw through the center hole.
- Drill pilot holes for the two side screws and attach the ends of the front stop with two more screws.



### OPERATION

#### **To Raise or Lower:**

- Use the handle to move the platform up or down.

#### **To Set Tilt Angle:**

- Loosen the handle and adjust the tilt angle to the desired position.
- Tighten the handle to lock the angle in position.



800.833.3746 | [esiergo.com](http://esiergo.com)